

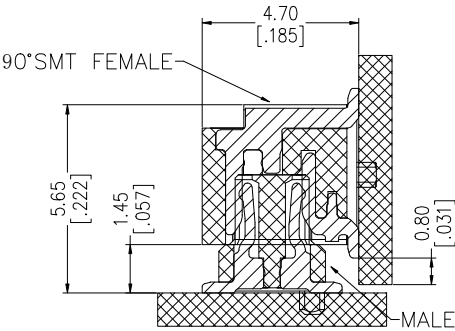
NOTES:
 Current Rating: 0.5AMP
 Contact Resistance: 30mΩ max
 Withstand Voltage: 500V AC/DC
 Insulation Resistance: 100MΩ min
 Operation Temperature: -20℃ to +105℃

Contact Material: Phosphor Bronze
 Housing Material: PA9T(UL94V-0)
 Contact plating: Au or Sn over Ni

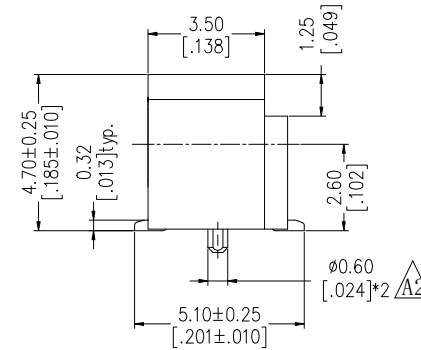
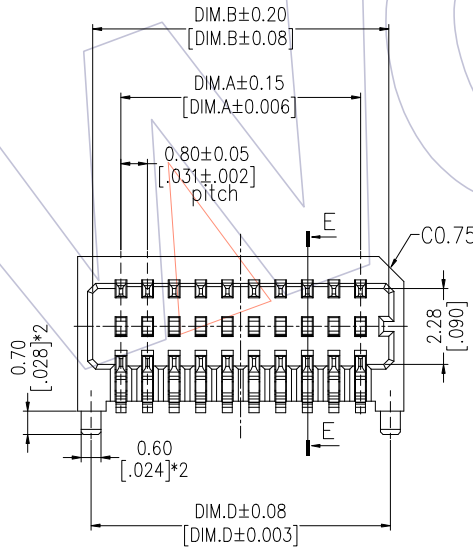
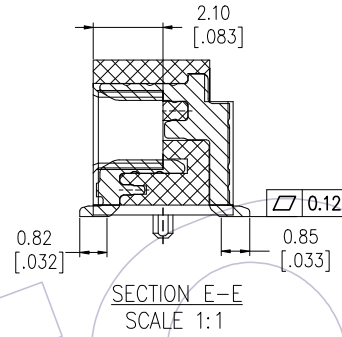
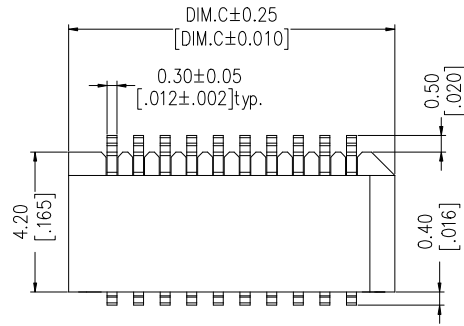
Ordering Information

3612-S XXX - 047 XX R 02

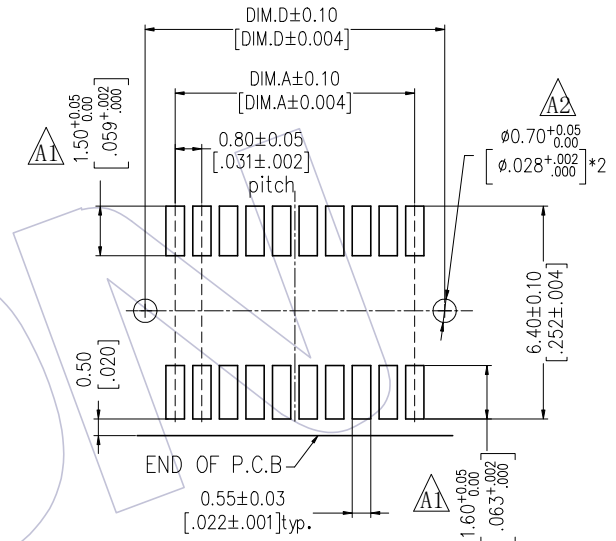
No. of Pins Housing High Contact Plating T=Tube
 P=Tube R=Tape&Reel
 G1=3u"Gold G2=5u"Gold S1=3u"Gold/Tin S2=5u"Gold/Tin



MATED
 DRAWING(REF.)DRAWING(REF.)



Recommended P.C.B Layout (Top Side) (PCB BOARD TOLERANCE ±0.05)



21.00	21.80	20.90	19.20	50
17.00	17.80	16.90	15.20	40
16.20	17.00	16.10	14.40	38
15.40	16.20	15.30	13.60	36
14.60	15.40	14.50	12.80	34
13.80	14.60	13.70	12.00	32
13.00	13.80	12.90	11.20	30
12.20	13.00	12.10	10.40	28
11.40	12.20	11.30	9.60	26
10.60	11.40	10.50	8.80	24
9.80	10.60	9.70	8.00	22
9.00	9.80	8.90	7.20	20
8.20	9.00	8.10	6.40	18
7.40	8.20	7.30	5.60	16
6.60	7.40	6.50	4.80	14
5.80	6.60	5.70	4.00	12
5.00	5.80	4.90	3.20	10
DIM.D	DIM.C	DIM.B	DIM.A	PIN NO.

REV	DATE	MODIFICATION DESCRIPTION	CHANGE	OPERATION	DRAW	DATE	SCALE	FIT	PART NO.
A2	2022/09/24	Correct DIM.	---	X.X ±0.40	XSR	2022/09/24	UNIT	mm	3612-SXXX-047XXR02
A1	2019/04/18	Modify PCB Layout	---	X.XX ±0.25	CHECK	DATE	inch	TITLE:	
A0	2013/03/22	NEW	---	X.XXX ±0.15	APPROVE	DATE	SIZE	A4	0.80mm B TO B "M" FEMALE 90° SMT TYPE
				Angle ± 3°			SHEET	1/1	
				DIM TOL			PROJ.	Customer NO.	

WCON
 Http: www.wcon.com

WCON-Dongguan WCON-Kunshan
 Tel: +86 769 85358920 Tel: +86 512 57468408
 Fax: +86 769 85358915 Fax: +86 512 57468468
 E-mail: sales@wcon.com E-mail: sales@wcon.com