

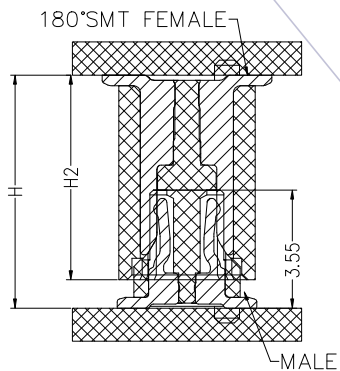
NOTES:
Current Rating: 0.5AMP
Contact Resistance: 30mΩ max
Withstand Voltage: 500V AC/DC
Insulation Resistance: 100MΩ min
Operation Temperature: -20°C to +105°C

Contact Material: Phosphor Bronze
Housing Material: PA9T Natural(UL94V-0)
CAP Material: LCP Natural(UL94V-0)
Contact plating: Au or Sn over Ni

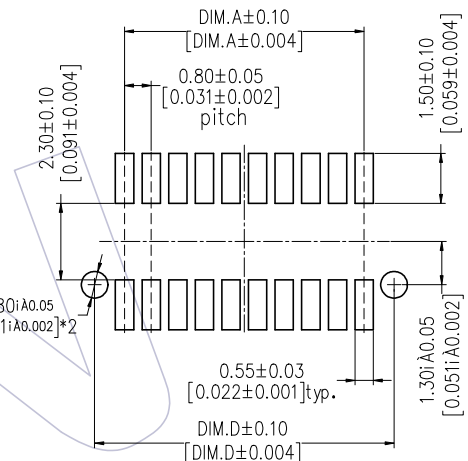
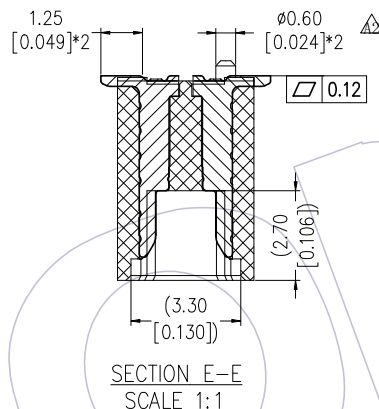
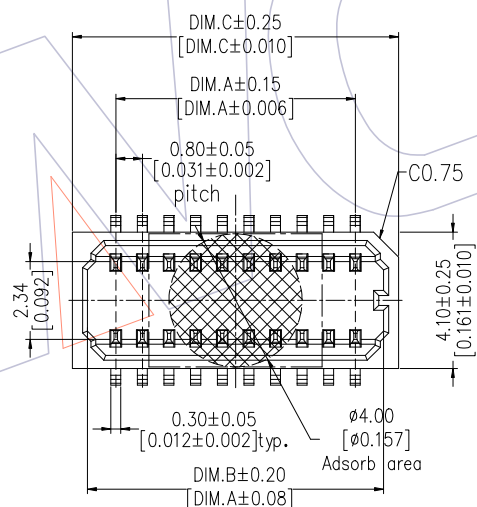
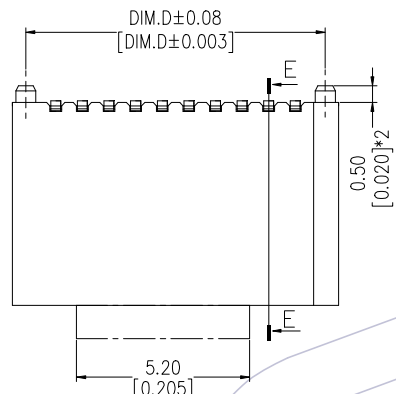
Ordering Information

3612-S XXX - XXX XX R 01

No. of Pins Housing High Female=H2 Contact Plating
G1=3u"Gold T=Tube P=Tube+CAP
G2=5u"Gold P=Tube&Reel+CAP
S1=3u"Gold/Tin R=Tape&Reel+CAP
S2=5u"Gold/Tin



MATED
DRAWING(REF.) DRAWING(REF.)



PART NO.	FEMALE(H2)
3612-SXXX-036XXR01	3.65
3612-SXXX-041XXR01	4.15
3612-SXXX-047XXR01	4.70
3612-SXXX-051XXR01	5.15
3612-SXXX-056XXR01	5.65
3612-SXXX-061XXR01	6.15

17.00	17.80	16.90	15.20	40
16.20	17.00	16.10	14.40	38
15.40	16.20	15.30	13.60	36
14.60	15.40	14.50	12.80	34
13.80	14.60	13.70	12.00	32
13.00	13.80	12.90	11.20	30
12.20	13.00	12.10	10.40	28
11.40	12.20	11.30	9.60	26
10.60	11.40	10.50	8.80	24
9.80	10.60	9.70	8.00	22
9.00	9.80	8.90	7.20	20
8.20	9.00	8.10	6.40	18
7.40	8.20	7.30	5.60	16
6.60	7.40	6.50	4.80	14
5.80	6.60	5.70	4.00	12
5.00	5.80	4.90	3.20	10
DIM.D	DIM.C	DIM.B	DIM.A	PIN NO.

ASS'Y HEIGHT(H)	FEMALE(H2)	MALE(H1)
4.50	3.65	3.55
5.00	4.15	
5.55	4.70	
6.00	5.15	
6.50	5.65	
7.00	6.15	

REV	DATE	MODIFICATION DESCRIPTION	CHANGE	OPERATION	DRAW	DATE	SCALE	FIT	PART NO.
A2	2015/12/29	内柱位置: 1.20 → 1.30 大小: ∅0.75 → ∅0.60	▲	x.x ±0.40	JYHuang	2015/12/29	UNIT	mm	3612-SXXX-XXXXXR01
A1	2013/05/02	Modify	▲	x.xx ±0.25	CHECK	DATE	SIZE	inch	TITLE: 0.80mm B TO B
A0	2013/03/22	NEW	—	x.xxx ±0.15	APPROVE	DATE	SHEET	1/1	"M" FEMALE 180° SMT TYPE
REV	DATE	MODIFICATION DESCRIPTION	CHANGE	Angle DIM TOL		DATE	PROJ.		Customer NO.

WCON
Http: www.wcon.com

WCON-Dongguan WCON-Kunshan
Tel: +86 769 85358920 Tel: +86 512 57468408
Fax: +86 769 85358915 Fax: +86 512 57468468
E-mail: sales@wcon.com E-mail: salesks@wcon.com