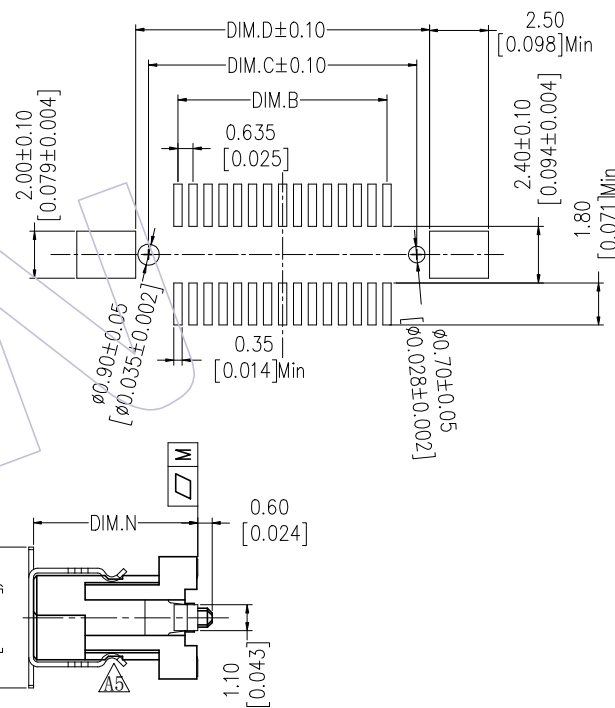
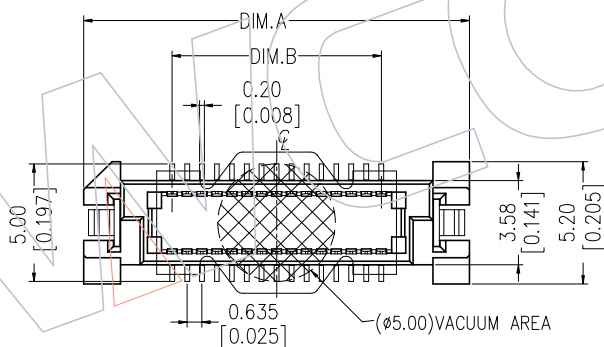
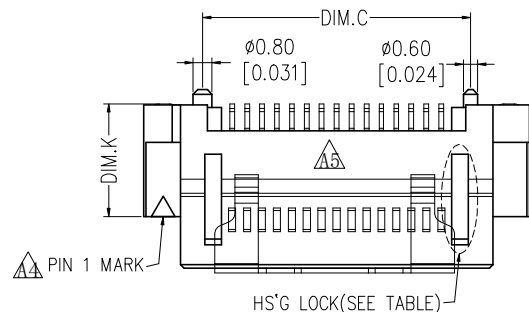


# HSF

Recommended P.C.B Layout (Top Side)  
(PCB BOARD TOLERANCE ± 0.05)

- NOTES:
- Electrical Performance:
    - Current Rating: 0.5 A at AC 100V.
    - Withstand Voltage: 250V AC.
    - Contact Resistance: See Table.  $\triangle A3$
    - Insulation Resistance: 1000M $\Omega$  Min.
    - Operation Temperature: -55°C to +85°C
  - Material:
    - Housing: LCP; Black/Natural; UL94V-0.  $\triangle A4$
    - Contact: Phosphor Bronze, T=0.20mm.
    - Fitting Nail: Brass, T=0.25mm.
    - Metal Cap: Stainless Steel, T=0.20mm.
  - Finish:
    - Contact: Gold Plating On Contact Area; Matte Tin Plating On Solder Tails, Over Ni.
    - Fitting Nail: Sn Plating Over Ni Under Plating

Flatness: <80 Pins The "M" Is 0.12mm MAX  
≥80 Pins The "M" Is 0.15mm MAX



## Ordering Information

3660-PXXX - XXX XX R 01

No. of Pins    Housing High    Contact Plating    R=Tape&Reel+CAP

G1=3u"Gold  
G2=5u"Gold  
G3=10u"Gold  
S1=3u"Gold/Tin  
S2=5u"Gold/Tin  
S3=10u"Gold/Tin

ASS'Y HIGH(H)	Before Test	After Test
6.0 ~ 7.0	≤ 40m $\Omega$	≤ 60m $\Omega$
8.0 ~ 10.0	≤ 50m $\Omega$	≤ 70m $\Omega$
11.0 ~ 13.0	≤ 60m $\Omega$	≤ 80m $\Omega$
14.0 ~ 16.0	≤ 70m $\Omega$	≤ 90m $\Omega$

PART NO.	DIM.N	DIM.K
3660-PXXX-050XXR01	5.00	2.80
3660-PXXX-060XXR01	6.00	3.80
3660-PXXX-070XXR01	7.00	4.80
3660-PXXX-080XXR01	8.00	5.80
3660-PXXX-090XXR01	9.00	6.80

ASS'Y HIGH(H)	PLUG(H1)	SOCKET(H2)
6.00	5.00	4.00
7.00	6.00	
8.00	7.00	
9.00	8.00	
10.00	9.00	10.00
12.00	5.00	
13.00	6.00	
14.00	7.00	
15.00	8.00	
16.00	9.00	

REV	DATE	MODIFICATION DESCRIPTION	CHANGE	OPERATION	DRAW	DATE	SCALE	FIT	PART NO.
A5	2017/07/21	Modify	$\triangle A3$	OPERATION	DRAW	2017/07/21	UNIT	mm	3660-PXXX-XXXXXR01
A4	2014/05/07	Modify	$\triangle A4$	x.x    ±0.40	Ding		inch		
A3	2014/03/07	Modify The Contact Resistance	$\triangle A3$	x.xx    ±0.25	CHECK	DATE	SIZE	A4	0.635mm BTB "M" TYPE MALE 180° SMT $\triangle A1$
A0	2012/11/20	NEW	—	x.xxx    ±0.15	APPROVE	DATE	SHEET	1/2	
				Angle    ± 3°			PROJ.	$\phi$	Customer NO.
				DIM    TOL					

# WCON

Http: www.wcon.com

WCON-Dongguan    WCON-Kunshan  
Tel: +86 769 85358920    Tel: +86 512 57468408  
Fax: +86 769 85358915    Fax: +86 512 57468468  
E-mail: sales@wcon.com    E-mail: salesks@wcon.com