

HSF

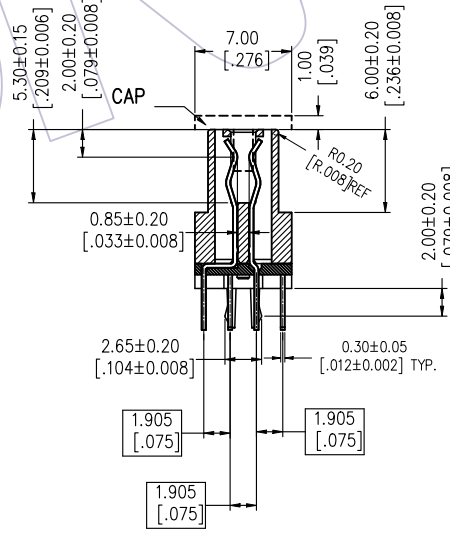
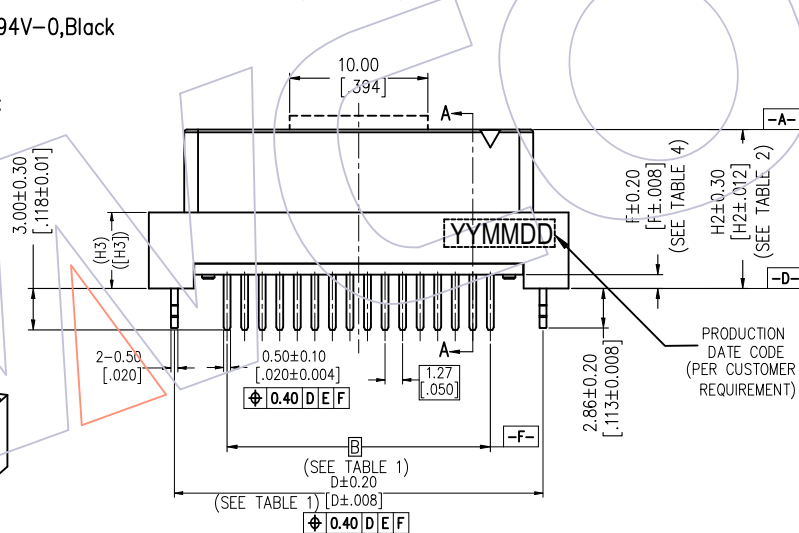
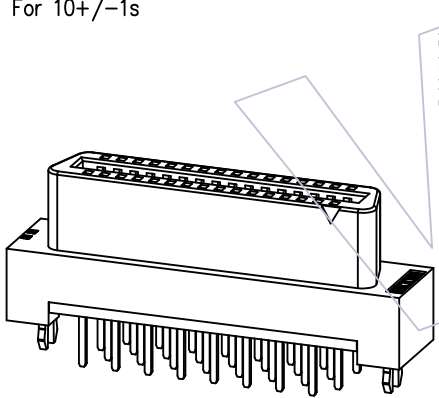
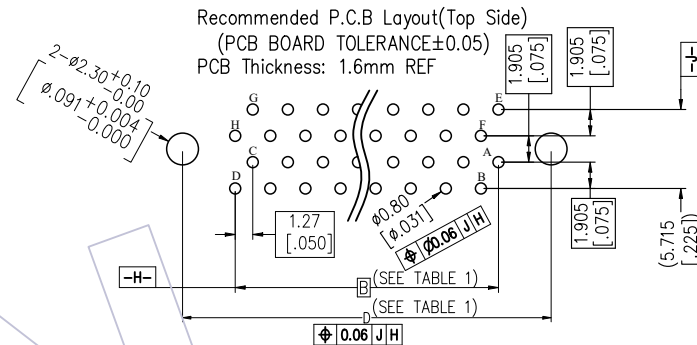
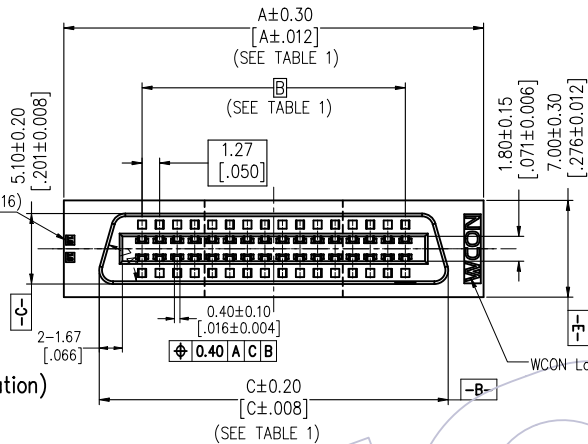
NOTES:

Current Rating: 0.5AMP
 Contact Resistance: 45mΩ Max
 Withstand Voltage: 500V AC/minute E(PIN NUMBER PER ROW 16)
 Insulation Resistance: 1,000MΩ Min (SEE TABLE 1)
 Operation Temperature: -55°C to +105°C

Contact And Lock Material: Copper Alloy
 Contact plating:
 xxu" Gold On Contact Area, (See Ordering Information)
 100u" Matte Tin On Solder Area
 50u" Nickel Underplating Overall
 Insulator And Back Cover Material: LCP,G.F,UL94V-0,Black

Recommended Process:

Wave Soldering, Peak Temperature: 260±5°C
 For 10+/-1s



PRODUCTION DATE CODE:
 TEXT FONT: ARIAL

YY MM DD

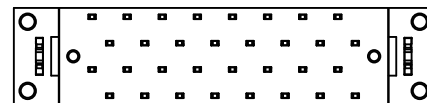
THE LAST TWO NUMBER OF YEAR MONTH DATE

TABLE 4:

H2	Dim. F
9.50 [.374]	0.50 [.020]
11.50 [.453]	1.00 [.040]

TABLE 3:

Item	Pitch	Mating
Standard	1.27	6320H
Alternate		



REV	DATE	MODIFICATION DESCRIPTION	CHANGE	OPERATION		DRAW Orwell	DATE 2020/10/26	SCALE	FIT	PART NO. 6321H-XXXSDSXPWXX1W
				X.X	±0.40					
				X.XX	±0.25	CHECK	DATE	UNIT mm inch		TITLE: 1.27mm SCSI Connector, Female, DIP Type, W/Lock
A0	2020/10/26	NEW	Orwell	X.XXX	±0.15	APPROVE	DATE	SIZE A4	1/3	Customer NO.
				Angle	± 3°			SHEET		
				DIM	TOL			PROJ.		

WCON
 Http: www.wcon.com
 WCON-Dongguan Tel: +86 769 85358920
 WCON-Kunshan Tel: +86 512 57468408
 Fax: +86 769 85358915 Fax: +86 512 57468468
 E-mail: sales@wcon.com E-mail: salesks@wcon.com

Ordering Information

6321H - XXX S D SX P W X X 1 W

No. Of Pins:
 20~120Pin,
 More Detail
 Please See Table 1

Type Code:
 S=180° S/T

Contact Tail Shape:
 D=Through Hole

W:
 With WCON Logo

Internal Code:
 0= H2: 9.50mm
 2= H2: 11.50mm

Packaging Way:
 R=Tape & Reel,
 T=Tube,
 A=Tray,


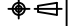
W:
 With Fork

P:
 All Plastic

Contact Plating
 S1=3u" Gold/Tin,
 S2=5u" Gold/Tin,
 S3=10u" Gold/Tin,
 S4=15u" Gold/Tin,
 S5=30u" Gold/Tin,

TABLE 1:

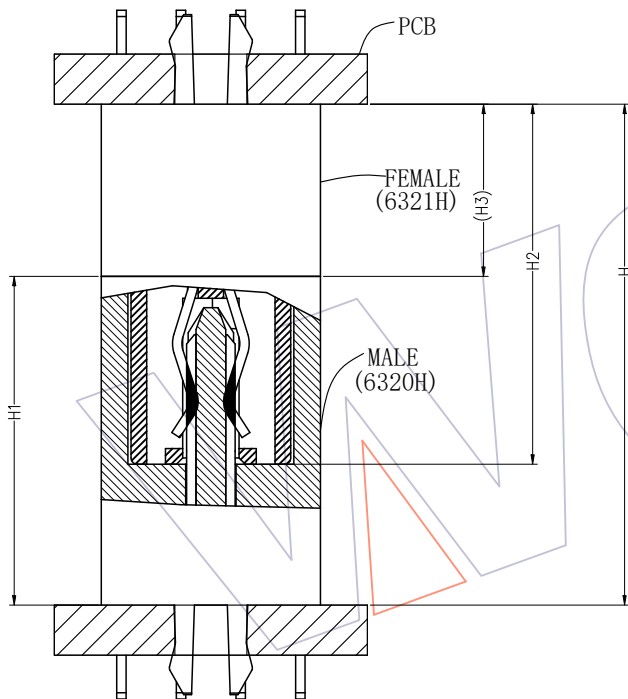
Pin No.	Part Number	Dim.A	Dim.B	Dim.C	Dim.D	E
20P	6321H-020SDSXPWX21W	22.75	11.43	17.63	19.05	10
32P	6321H-032SDSXPWX21W	30.37	19.05	25.25	26.67	16
40P	6321H-040SDSXPWX21W	35.45	24.13	30.33	31.75	20
52P	6321H-052SDSXPWX21W	43.07	31.75	37.95	39.37	26
60P	6321H-060SDSXPWX21W	48.15	36.83	43.03	44.45	30
68P	6321H-068SDSXPWX21W	53.23	41.91	48.11	49.53	34
80P	6321H-080SDSXPWX21W	60.85	49.53	55.73	57.15	40
100P	6321H-100SDSXPWX21W	73.55	62.23	68.43	69.85	50
120P	6321H-120SDSXPWX21W	86.25	74.93	81.13	82.55	60

				OPERATION	DRAW	DATE	SCALE	FIT	PART NO.	 Http: www.wcon.com	
				x.x ±0.40	Orwell	2020/10/26	UNIT	mm inch	6321H-XXXSDSXPWX1W		
				x.xx ±0.25	CHECK	DATE	SIZE	A4	TITLE:		
				x.xxx ±0.15	APPROVE	DATE	SHEET	2/3	1.27mm SCSI Connector, Female, DIP Type, W/Lock		
A0	2020/10/26	NEW	Orwell	Angle ± 3°			PROJ.		Customer NO.		
REV	DATE	MODIFICATION DESCRIPTION	CHANGE	DIM TOL						WCON-Dongguan Tel: +86 769 85358920 Fax: +86 769 85358915 E-mail: sales@wcon.com	WCON-Kunshan Tel: +86 512 57468408 Fax: +86 512 57468468 E-mail: salesks@wcon.com

HSF

DYNAMIC USE HINT:

6320H MATED WITH 6321H



MATING DIRECTION

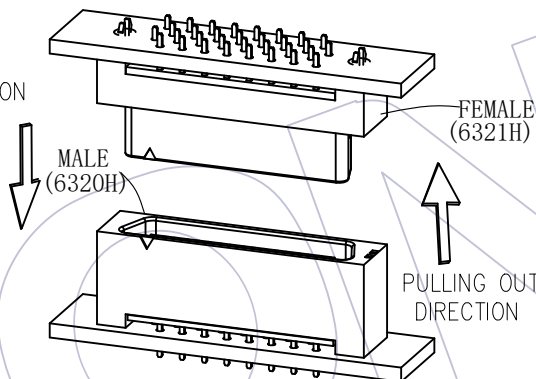
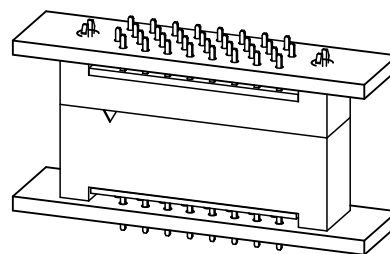


TABLE 2:

ASS'Y HIGH(H)	FEMALE		
	H1	H2	H3
12.00	8.50[.335]	9.50[.374]	3.50[.138]
13.00	9.50[.374]	9.50[.374]	3.50[.138]
14.00	10.50[.413]	9.50[.374]	3.50[.138]
15.00	8.50[.335]	11.50[.453]	5.50[.217]
16.00	9.50[.374]	11.50[.453]	5.50[.217]



ASSEMBLY COMPLETION STATUS

REV	DATE	MODIFICATION DESCRIPTION	CHANGE	OPERATION	DRAW	DATE	SCALE	FIT	PART NO.
				X.X ±0.40	Orwell	2020/10/26	UNIT	mm/inch	6321H-XXXSDSXPWXX1W
				X.XX ±0.25	CHECK	DATE	SIZE	A4	TITLE:
				X.XXX ±0.15	APPROVE	DATE	SHEET	3/3	1.27mm SCSI Connector, Female, DIP Type, W/Lock
A0	2020/10/26	NEW	Orwell	Angle ± 3°			PROJ.	⌀	Customer NO.
				DIM TOL					

WCON

Http: www.wcon.com

WCON-Dongguan	WCON-Kunshan
Tel: +86 769 85358920	Tel: +86 512 57468408
Fax: +86 769 85358915	Fax: +86 512 57468468
E-mail: sales@wcon.com	E-mail: salesks@wcon.com