

# HSF

## NOTES:

Current Rating: 1.0AMP  
 Contact Resistance: 20mΩ Max  
 Withstand Voltage: 500V AC/DC  
 Insulation Resistance: 1000MΩ Min  
 Operation Temperature: -40°C to +105°C

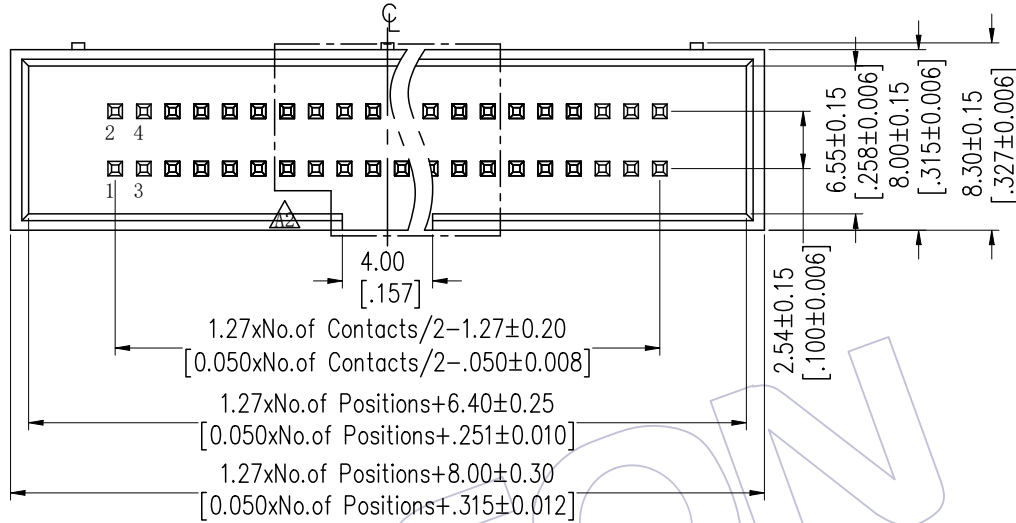
Contact Material: Brass  
 Contact plating: Au Or Sn over Ni  
 Insulator Material: PA9T G.F UL94V-0

## Ordering Information

3140-XX M XX B D00 X X

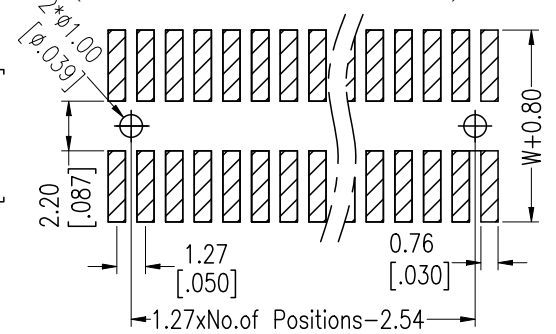
No. of Pins	Contact Plating	Color Insulator	Packing	Series No
10 30	G0=Gold Flash	B=Black	T=Tube	
14 34	G1=3u"Gold		P=Tube+CAP	
16 40	G2=5u"Gold			
20 44	G3=10u"Gold			
24 50	G4=15u"Gold			
26 60	G5=30u"Gold			
	S0=Gold Flash/Tin			
	S1=3u"Gold/Tin			
	S2=5u"Gold/Tin			
	S3=10u"Gold/Tin			
	S4=15u"Gold/Tin			
	S5=30u"Gold/Tin			
	SN=Tin			

Item	Pitch	Mating	W
Standard	1.27X2.54	5242	7.50
Alternate			

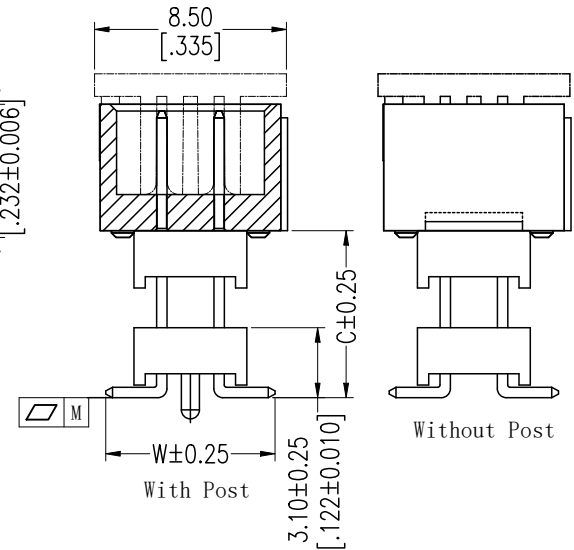
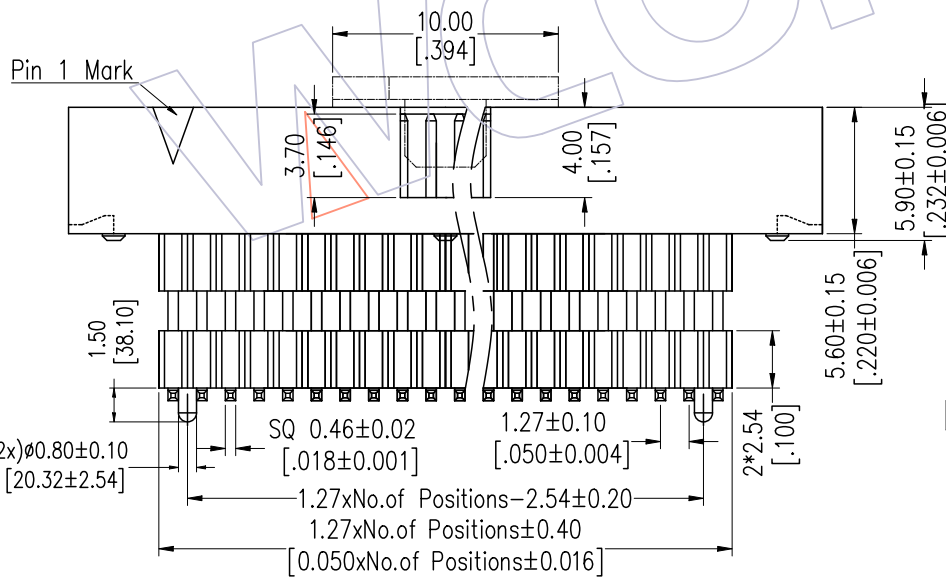


## Recommended P.C.B Layout (Top Side)

(PCB BOARD TOLERANCE ± 0.05)



PIN (Per Row)	10-20P	24-40P	44-60P
	M	0.10	0.12



B0	2023/02/16	Add Flatness	DuYing	OPERATION	DRAW	DATE	SCALE	FIT	PART NO.
A5	2020/09/23	ADD HOUSING	DuYing	x.X ±0.40	DuYing	2023/02/16	UNIT	mm	3140-XXMXXBDXXXX
A4	2018/02/04	Modify	Ding	x.XX ±0.25	CHECK	DATE	SIZE	A4	TITLE:
A0	2007/10/04	NEW	-----	x.XXX ±0.15	APPROVE	DATE	SHEET	1/1	1.27*2.54 BOX HEADER SMT
REV	DATE	MODIFICATION DESCRIPTION	CHANGE	Angle ± 3°	APPROVE	DATE	PROJ.		H=5.60 ADD HOUSING
				DIM TOL					Customer NO.



Http: www.wcon.com

WCON-Dongguan  
 Tel: +86 769 85358920  
 Fax: +86 769 85358915  
 E-mail: sales@wcon.com

WCON-Kunshan  
 Tel: +86 512 57468408  
 Fax: +86 512 57468468  
 E-mail: salesks@wcon.com