

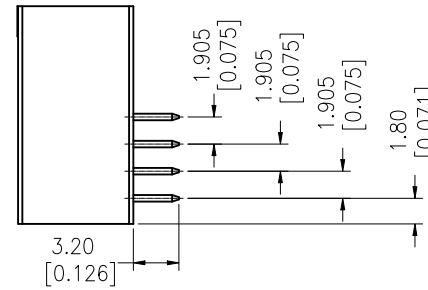
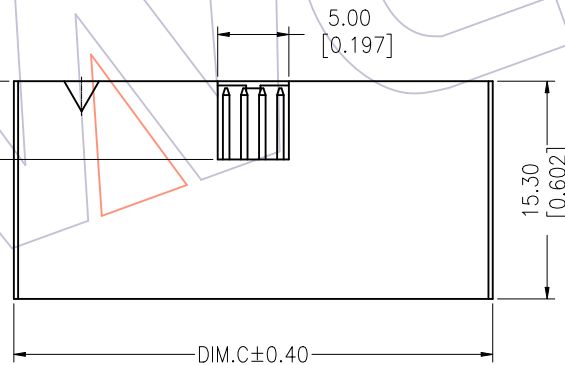
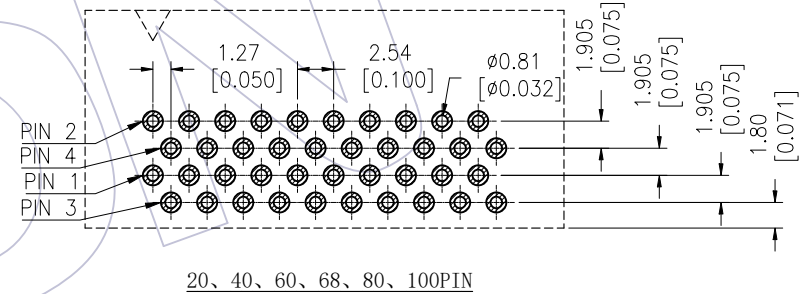
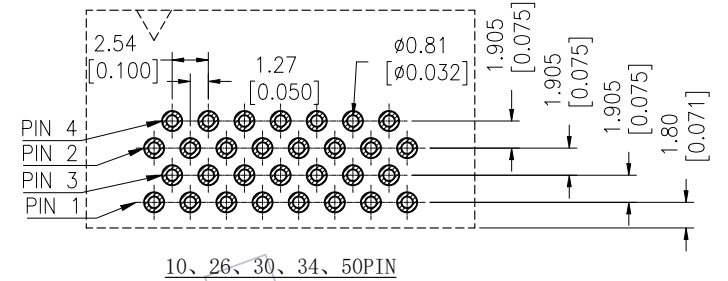
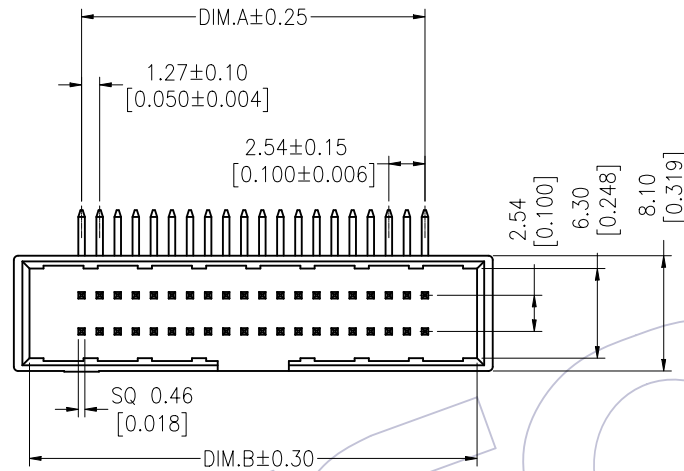
HSF

NOTES:

Current Rating:1A AMP
 Contact Resistance:20milliohm Max
 Withstand Voltage:500V AC/DC
 Insulation Resistance:1000Megohm Min
 Operation Temperature:-40°C to +105°C

Housing Material:PA9T+30%GF(UL94V-0)
 Below Cover Material:PA9T+30%GF(UL94V-0)
 Contact Material:Brass
 Contact plating:Au or Sn over Ni Plating

Recommended P. C. B Layout (Top Side)
 (PCB BOARD TOLERANCE ±0.05)



20, 40, 60, 68, 80, 100PIN

No.Of POSITION	DIM.A	DIM.B	DIM.C
10	5.08	12.40	14.60
20	11.43	18.75	20.95
26	15.24	22.56	24.76
30	17.78	25.10	27.30
34	20.32	27.64	29.84
40	24.13	31.45	33.65
50	30.48	37.80	40.00
60	36.83	44.15	46.35
68	41.91	49.23	51.43
80	49.53	56.85	59.05
100	62.23	69.55	71.75

Ordering Information

△ 3141-XX R XX B K00 X 1

No. of Pins	Contact Plating	Color Insulator	Packing
10 34	G0=Gold Flash	B=Black	A=Type
14 40	G3=10u"Gold		T=Tube
16 44	G4=15u"Gold		
20 50	G5=30u"Gold		
24 60	S0=Gold Flash/Tin		
26 64	S3=10u"Gold/Tin		
30 80	S4=15u"Gold/Tin		
32 100	S5=30u"Gold/Tin		
	SN=Tin		

REV	DATE	MODIFICATION DESCRIPTION	CHANGE	OPERATION		DRAW Tsingsn	DATE 2014/03/21	SCALE	FIT mm inch	PART NO. 3141-XXRXXBK00X1△
				X.X	±0.40					
A1	2014/03/21	Modify The PART NO. 3142-XXRXXBK00X1 To 3141-XXRXXBK00X1 △		X.XX	±0.25	CHECK	DATE	UNIT	A4	TITLE: 1.27*2.54 BOX HEADER H=15.30 90° DIP
A0	2013/09/06	NEW		X.XXX	±0.15	APPROVE	DATE	SHEET	1/1	Customer NO.
				Angle	± 3'			PROJ.		

WCON

Http: www.wcon.com

WCON-Dongguan WCON-Kunshan
 Tel: +86 769 85358920 Tel: +86 512 57468408
 Fax: +86 769 85358915 Fax: +86 512 57468468
 E-mail: sales@wcon.com E-mail: salesks@wcon.com