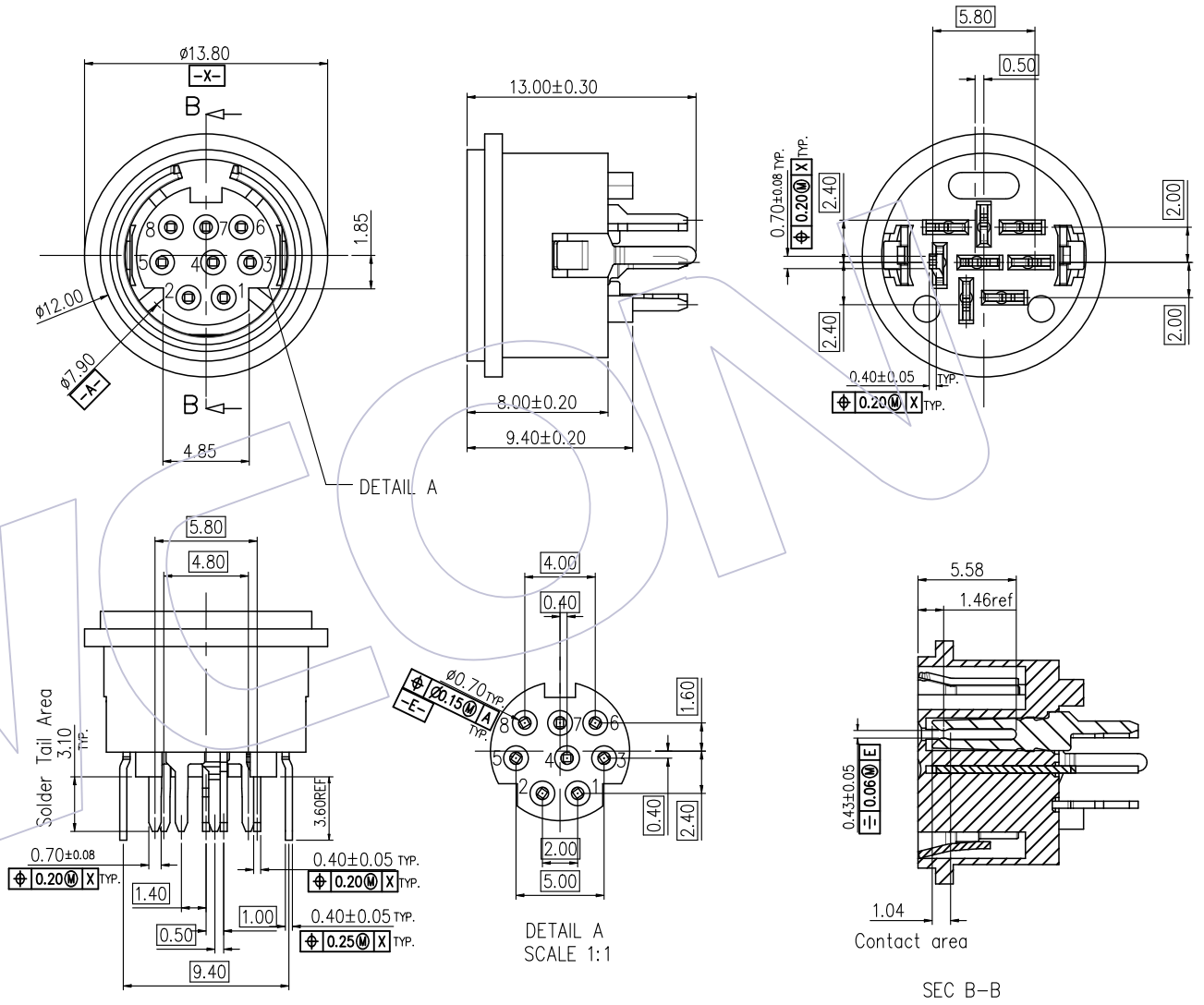


HSF

- NOTES:
- 1.Rated Current:1.0A;
 - 2.Rated Voitage:30V;
 - 3.Contact Resistance:30mΩ max;
 - 4.Withstand Voltage:500V AC;
 - 5.Insulation Resistance:100MΩ min to 500V DC;
 - 6.Operation Temperature:-55℃ to +105℃;
 - 7.Recommended Process:
Wave Solder temperature 245±5℃ to 5S;
 - 8.Material:
Housing Material:PBT UL94V-0 Black
Terminal Material:Copper Alloy;
Copper Ring Material:Copper Alloy;
 - 9.Terminal Finish:
xxu" Gold on contact area(see ordering information),
80u"Min.Sn plated on Solder area,
50u"Min Ni Underplating overall;
 - 10.Shell Finish:30u"Min,Ni Underplating Over All;
 - 11.Copper Ring Finish:30u"Min,Ni Underplating Over Al.



Ordering Information

6424 - 08 F S0 R B N 01

WCON internal code

No.of Pins
08=8PIN

Type
F=Female

Contact Plating
S0=Gold Flash/Tin

No Spring

Colour
B=Black

Straight Type

				OPERATION	DRAW	DATE	SCALE	FIT	PART NO.
				x.x ±0.30	Morris	2021/10/07	UNIT	mm	6424-08FS0SBN01
				x.xx ±0.25	CHECK	DATE	SIZE	A4	TITLE:
A0	2021/10/07	NEW	---	x.xxx ±0.15	APPROVE	DATE	SHEET	1/2	Mini Din Female 8P S/T Conn
REV	DATE	MODIFICATION DESCRIPTION	CHANGE	Angle ±3'			PROJ.	◆	Customer NO.
				DIM TOL					

WCON

Http: www.wcon.com

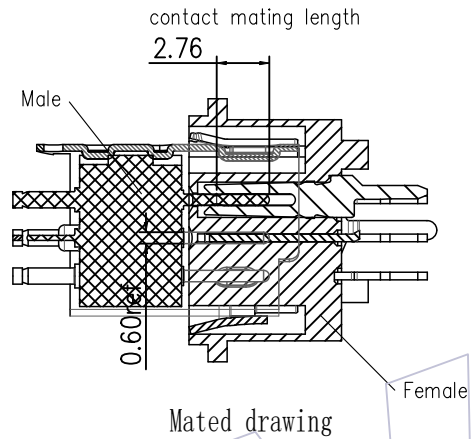
WCON-Dongguan WCON-Kunshan

Tel: +86 769 85358920 Tel: +86 512 57468408

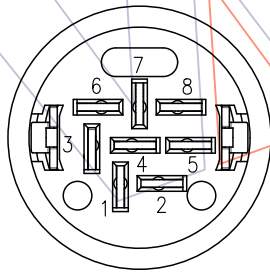
Fax: +86 769 85358915 Fax: +86 512 57468468

E-mail: sales@wcon.com E-mail: salesks@wcon.com

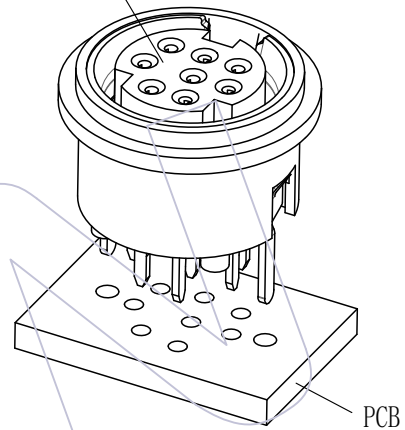
HSF



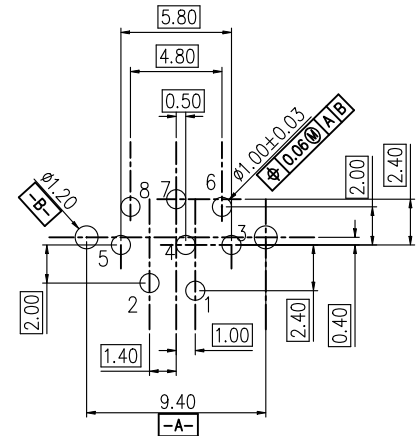
Mated drawing



CONNECTOR



Recommended P.C.B Layout(Top View)
(PCB BOARD TOLERANCE±0.03)



				OPERATION	DRAW	DATE	SCALE	FIT	PART NO.	WCON Http: www.wcon.com
				x.x ±0.30	Morris	2021/10/07	UNIT	mm	6424-08FS0SBN01	
				x.xx ±0.25	CHECK	DATE	SIZE	A4	TITLE:	WCON-Dongguan Tel: +86 769 85358920 Fax: +86 769 85358915 E-mail: sales@wcon.com
A0	2021/10/07	NEW	---	x.xxx ±0.15	APPROVE	DATE	SHEET	2/2	Mini Din Female 8P S/T Conn	
REV	DATE	MODIFICATION DESCRIPTION	CHANGE	Angle ±3'			PROJ.	◆	Customer NO.	
				DIM TOL						