

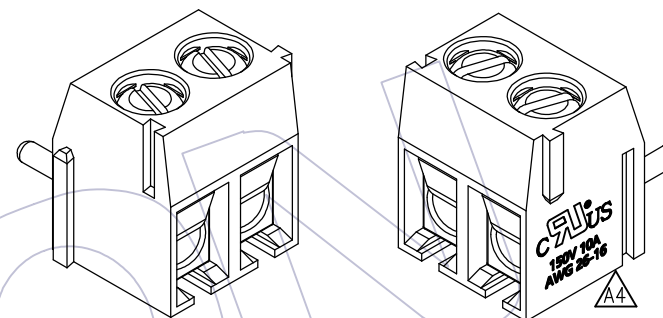
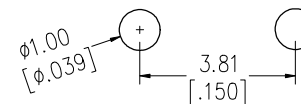
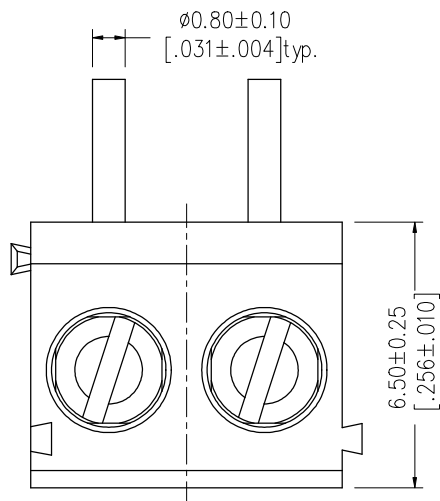
HSF

NOTES:

Current Rating: 10A
 Voltage Rating: 150V
 Contact Resistance: 8milliohm Max
 Withstand Voltage: AC/DC 1000V
 Insulation Resistance: 500Megohm Min
 Screw Torque: 2.0 lbf.in
 Wire range: 16AWG-26AWG

Housing Material: PBT UL94V-0
 Screw: Steel
 Contact: Brass
 Spring: SUS301

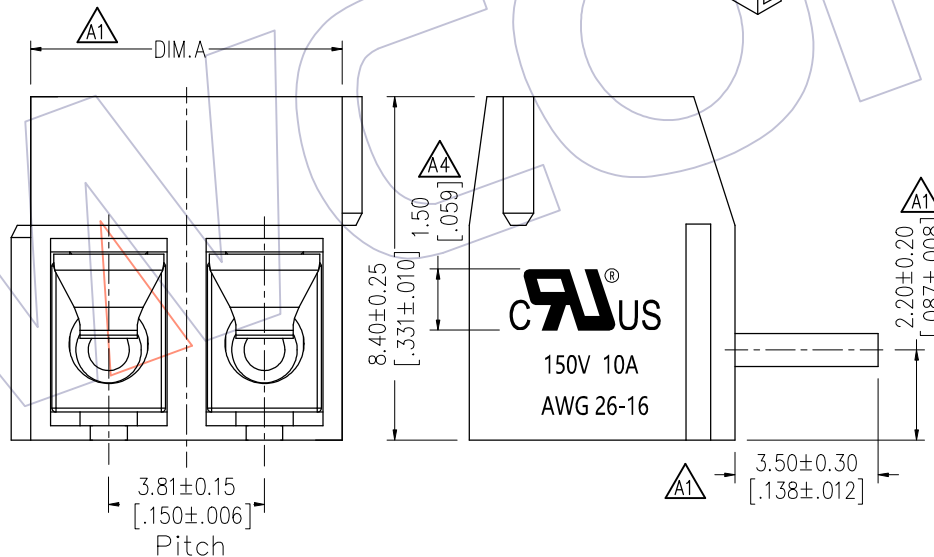
Recommended P.C.B Layout (Top Side)
 (PCB BOARD TOLERANCE ±0.05)



Ordering Information:

A H 381 - 084 R XX U SN 1 N

Pitch: 381=3.81 Housing High: 084=8.40 No. of Pins: 02-20P Color: U=Blue Contact Plated: SN=Bright Tin



DIM.A	PINS
15.24±0.15	4P=2P+2P
19.05±0.15	5P=2P+3P
22.86±0.15	6P=3P+3P
26.67±0.20	7P=2P+2P+3P
30.48±0.20	8P=3P+3P+2P
34.29±0.20	9P=3P+3P+3P
38.10±0.25	10P=3P+3P+2P+2P
41.91±0.25	11P=3P+3P+3P+2P
45.72±0.25	12P=3P+3P+3P+3P
49.53±0.30	13P=3P+3P+3P+2P+2P
53.34±0.30	14P=3P+3P+3P+3P+2P
57.15±0.30	15P=3P+3P+3P+3P+3P
60.96±0.35	16P=3P+3P+3P+3P+2P+2P
64.77±0.35	17P=3P+3P+3P+3P+3P+2P
68.58±0.35	18P=3P+3P+3P+3P+3P+3P
72.39±0.40	19P=3P+3P+3P+3P+3P+2P+2P
76.20±0.40	20P=3P+3P+3P+3P+3P+3P+2P

PINS	DIM A
2P	7.62±0.10
3P	11.43±0.10

REV	DATE	MODIFICATION DESCRIPTION	CHANGE	OPERATION	DRAW	DATE	SCALE	FIT	PART NO.
A4	20/06/17	ADD DIM.A NOTE	A4	XSR	OPERATION	20/06/17	UNIT	mm	AH381-084RXXUSN1N
A3	20/01/17	ADD DIM.A NOTE	A3	XSR	±0.40	CHECK	inch	A4	
A2	16/12/14	ADD NOTE	A2	XSR	±0.25	DATE	SIZE	1/1	TITLE:
A0	13/01/14	NEW			±0.15	DATE	SHEET	1/1	3.81mm Pitch Euro Terminal Blocks With Wire Protection 90° DIP
					Angle ± 3°	DATE	PROJ.		Customer NO.
					DIM TOL				

WCON

Http: www.wcon.com

WCON-Dongguan WCON-Kunshan
 Tel: +86 769 85358920 Tel: +86 512 57468408
 Fax: +86 769 85358915 Fax: +86 512 57468468
 E-mail: sales@wcon.com E-mail: salesks@wcon.com