

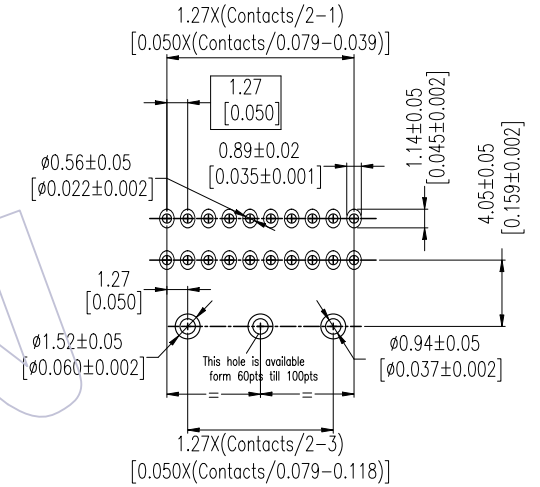
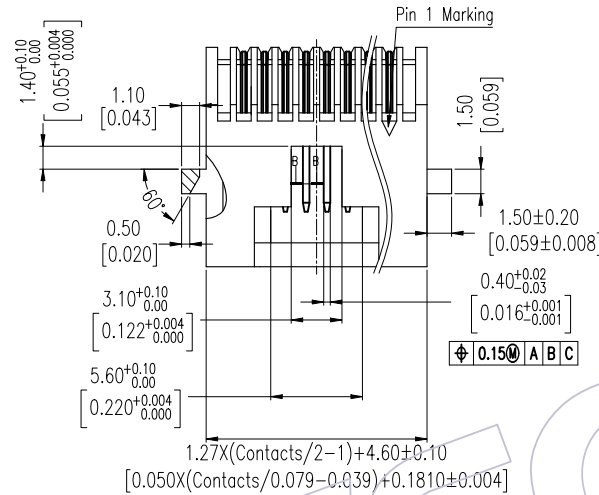
HSF

NOTES:

Current Rating:1A AMP
 Contact Resistance:30milliohm Max
 Withstand Voltage:250V AC/DC
 Insulation Resistance:1000Megohm Min
 Operation Temperature:-40°C to +105°C

Housing Material:PA9T+33%GF(UL94V-0)
 Contact Material:Phosphor Bronze
 Contact plating:Au or Sn over Ni Plating

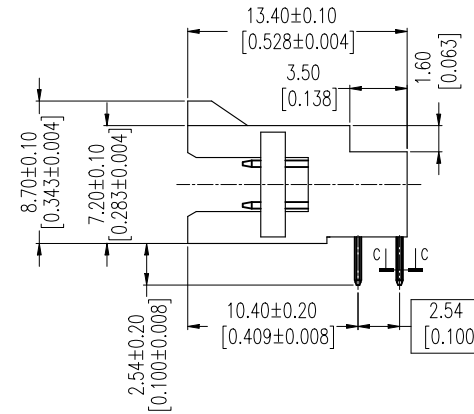
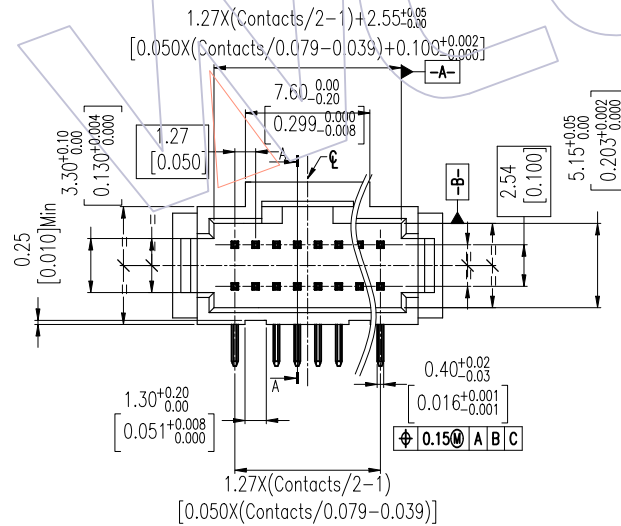
Recommended P. C. B Layout (Top Side)
 (PCB BOARD TOLERANCE ±0.05)




Ordering Information

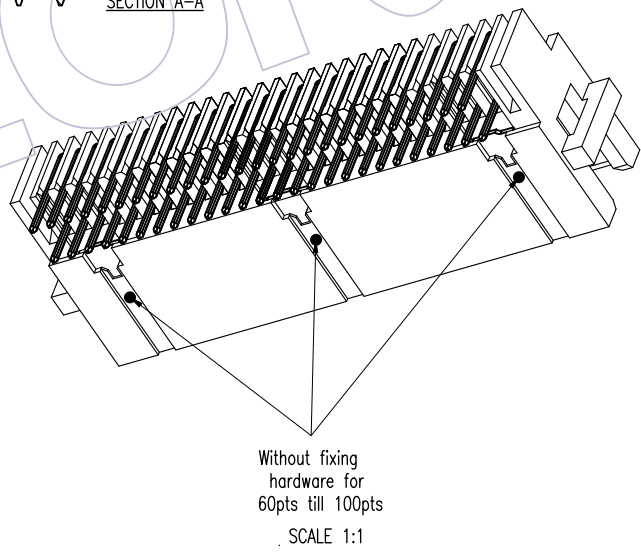
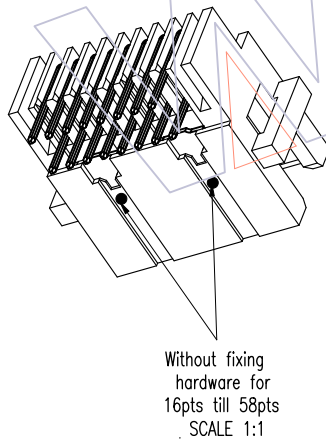
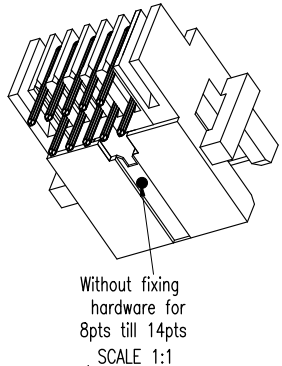
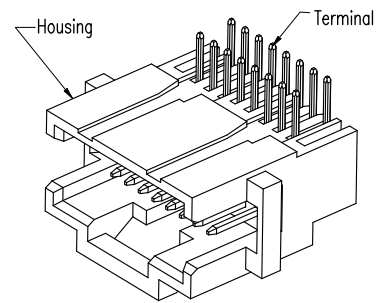
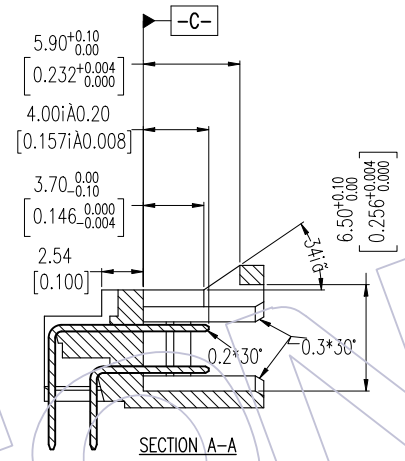
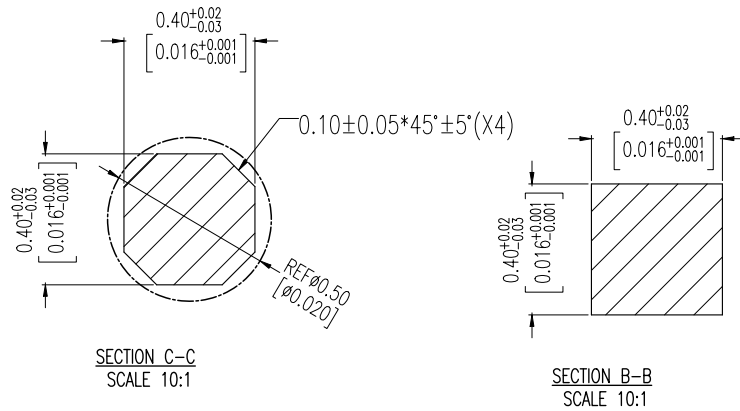
3144A-XX R XX B K00 X 3


No.of Pins	Contact Plating	Color	Insulator	Packing
08 34	G0=Gold Flash	B=Black	T=Tube	
10 40	G3=10u"Gold			
14 44	G4=15u"Gold			
16 50	G5=30u"Gold			
20 60	S0=Gold Flash/Tin			
24 64	S3=10u"Gold/Tin			
26 80	S4=15u"Gold/Tin			
30 100	S5=30u"Gold/Tin			
32	SN=Tin			



REV	DATE	MODIFICATION DESCRIPTION	CHANGE	OPERATION	DRAW	DATE	SCALE	FIT	PART NO.	 Http: www.wcon.com WCON-Dongguan Tel: +86 769 85358920 WCON-Kunshan Tel: +86 512 57468408 Fax: +86 769 85358915 E-mail: sales@wcon.com
				X.X ±0.40	DingWenMin	2016/12/07	UNIT mm		3144A-XXRXXBK00X3	
				X.XX ±0.25	CHECK	DATE	SIZE A4		TITLE: 1.27*2.54 BOX HEADER H=13.40 90° DIP W/O LOGO (Without Fixing Hardware)	
A0	2016/12/07	NEW		X.XXX ±0.15	APPROVE	DATE	SHEET 1/2		Customer NO.	
				Angle ± 3°			PROJ.			

HSF



				OPERATION	DRAW	DATE	SCALE	FIT	PART NO.	 Http: www.wcon.com WCON-Dongguan WCON-Kunshan Tel: +86 769 85358920 Tel: +86 512 57468408 Fax: +86 769 85358915 Fax: +86 512 57468468 E-mail: sales@wcon.com E-mail: salesks@wcon.com
				X.X ± 0.40	DingWenMin	2016/12/07	UNIT	mm	TITLE:	
				X.XX ± 0.25	CHECK	DATE	SIZE	A4	H=13.40 90° DIP, W/O LOGO (Without Fixing Hardware)	
A0	2016/12/07	NEW		X.XXX ± 0.15	APPROVE	DATE	SHEET	2/2	Customer NO.	
REV	DATE	MODIFICATION DESCRIPTION	CHANGE	Angle $\pm 3^\circ$ DIM TOL			PROJ.	