

NOTES:

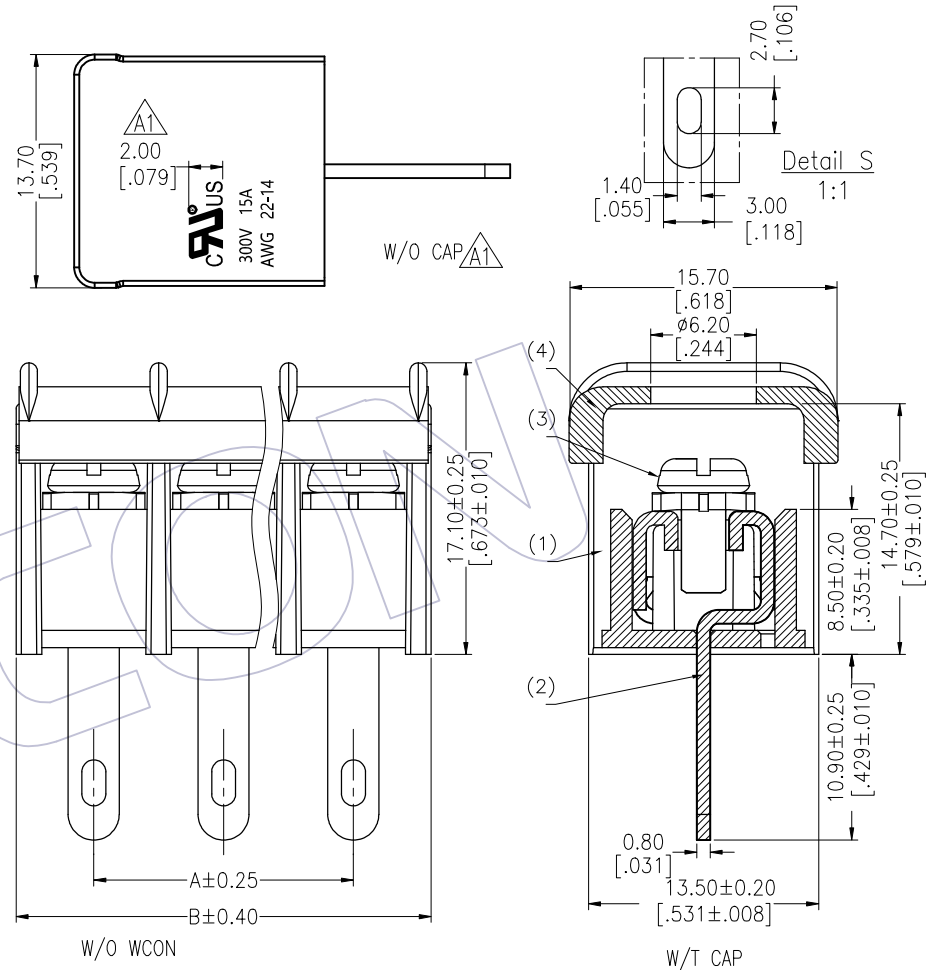
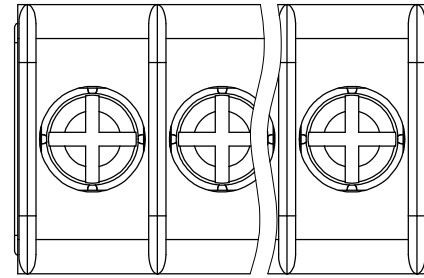
Rated Current:15 AMP
 Rated Voltage:300 V
 Contact Resistance:15 mΩ max
 Withstand Voltage:2000 V AC/DC
 Insulation Resistance:500 MΩ min DC500V
 Operation Temperature:-40°C to +105°C
 Torque value: 0.5N.m
 Operation Temperature:-40°C to +105°C
 Storage Temperature:-10°C to +40°C

激光打"WCON"LOGO: 2#(W=5.65, H=1.20)A1

Ordering Information:

BH762- XX P XX X N X 01 N

No.of Pins: 02-33P
 Contact Plated: SN=Bright Tin
 Contact Plated: W=W/T CAP, N=W/O CAP
 Color: Blank=W/T WCON, B=Black, N=W/O WCON



PIN	DIM.A	DIM.B	PIN	DIM.A	DIM.B	PIN	DIM.A	DIM.B	PIN	DIM.A	DIM.B
2	7.62	16.74	10	68.58	77.70	18	129.54	138.66	26	190.50	199.62
3	15.24	24.36	11	76.20	85.32	19	137.16	146.28	27	198.12	207.24
4	22.86	31.98	12	83.82	92.94	20	144.78	153.90	28	205.74	214.86
5	30.48	39.60	13	91.44	100.56	21	152.40	161.52	29	213.36	222.48
6	38.10	47.22	14	99.06	108.18	22	160.02	169.14	30	220.98	230.10
7	45.72	54.84	15	106.68	115.80	23	167.64	176.76	31	228.60	237.72
8	53.34	62.46	16	114.30	123.42	24	175.26	184.38	32	236.22	245.34
9	60.96	70.08	17	121.92	131.04	25	182.88	192.00	33	243.84	252.96

ITEM	PART	P/N	Q'TY	Material	NOTES
(4)	CAP	CAP762-G1XX	1	PC	
(3)	Screw	MB030-2SN102	XX	M3.0*7.9,C1018/C1010	
(2)	TERM.	TBP071-BSN001D	XX	C2680 L=19.4,T=0.8	
(1)	Plastic	GBH762-XXB3BN01N	1	PA66+25%G.F UL94-V0	

REV	DATE	MODIFICATION DESCRIPTION	CHANGE	OPERATION	DRAW	DATE	SCALE	FIT	PART NO.
				X.X	±0.40	2021/03/15	UNIT	mm	BH762-XXPXXXNX01(N)A1 TITLE: 7.62mm, Single-Row, D Type, W=13.50, H=14.70 Barrier Terminal Blocks
A1	2021/03/15	Add UL Logo; Add W/O CAP & W/T WCON SPEC & P/N	XSR	X.XX	±0.25	DATE	SIZE	A4	
AO	2015/09/16	NEW		X.XXX	±0.15	DATE	SHEET	1/1	
				Angle	± 3'	DATE	PROJ.		Customer NO.
				DIM	TOL				

WCON
 Http: www.wcon.com

WCON-Dongguan Tel: +86 769 85358920
 WCON-Kunshan Tel: +86 512 57468408
 Fax: +86 769 85358915
 Fax: +86 512 57468468
 E-mail: sales@wcon.com
 E-mail: salesks@wcon.com