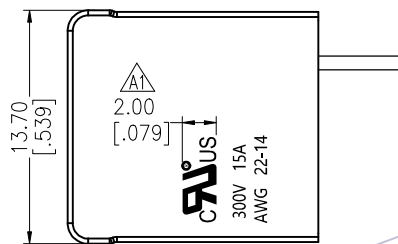
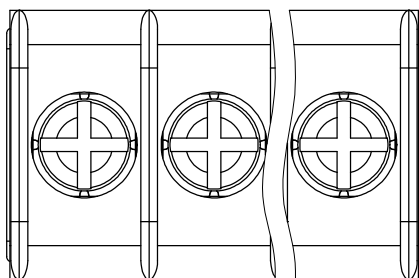
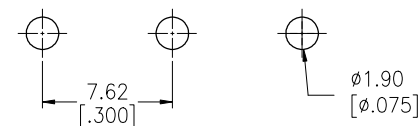


**NOTES:**

Rated Current: 15 AMP  
 Rated Voltage: 300 V  
 Contact Resistance: 15 mΩ max  
 Withstand Voltage: 2000 V AC/DC  
 Insulation Resistance: 500 MΩ min DC500V  
 Operation Temperature: -40°C to +105°C  
 Torque value: 0.5N.m  
 Operation Temperature: -40°C to +105°C  
 Storage Temperature: -10°C to +40°C



Recommended P.C.B Layout(Top Side)  
 (PCB BOARD TOLERANCE±0.05)



激光打"WCON"LOGO: 2#(W=5.65, H=1.20) A1

**Ordering Information:**

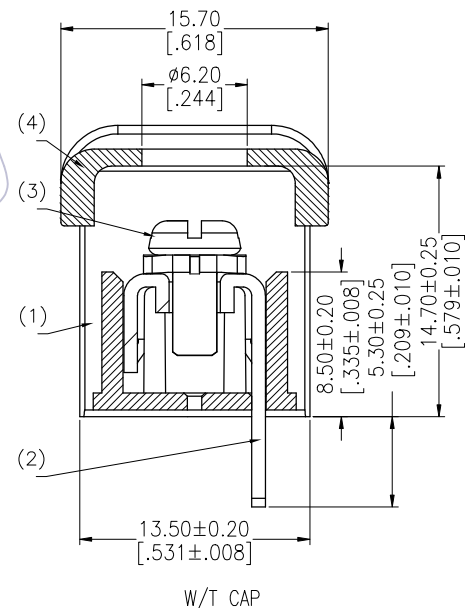
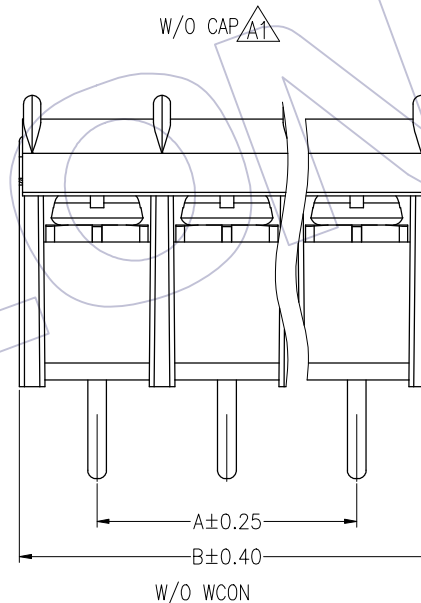
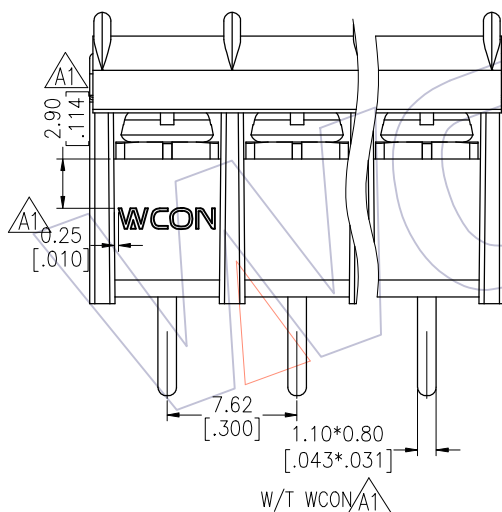
BH762- XX S XX X N X 02 N

No.of Pins  
02-33P

Contact Plated:  
SN=Bright Tin

Contact Plated:  
W=W/T CAP  
N=W/O CAP

Color: Blank=W/T WCON  
B=Black N=W/O WCON



A1

PIN	DIM.A	DIM.B	PIN	DIM.A	DIM.B	PIN	DIM.A	DIM.B	PIN	DIM.A	DIM.B
2	7.62	16.74	10	68.58	77.70	18	129.54	138.66	26	190.50	199.62
3	15.24	24.36	11	76.20	85.32	19	137.16	146.28	27	198.12	207.24
4	22.86	31.98	12	83.82	92.94	20	144.78	153.90	28	205.74	214.86
5	30.48	39.60	13	91.44	100.56	21	152.40	161.52	29	213.36	222.48
6	38.10	47.22	14	99.06	108.18	22	160.02	169.14	30	220.98	230.10
7	45.72	54.84	15	106.68	115.80	23	167.64	176.76	31	228.60	237.72
8	53.34	62.46	16	114.30	123.42	24	175.26	184.38	32	236.22	245.34
9	60.96	70.08	17	121.92	131.04	25	182.88	192.00	33	243.84	252.96

ITEM	PART	P/N	Q'TY	Material	NOTES
(4)	CAP	CAP762-G1XX	1	PC	
(3)	Screw	MB030-2SNI02	XX	M3.0*7.9,C1018/C1010	
(2)	TERM.	TBP071-BSN001B	XX	C2680 L=13.8,T=0.8	
(1)	Plastic	GBH762-XXB3BN01N	1	PA66+25%GF UL94-V0	

OPERATION	DRAW	DATE	SCALE	FIT	PART NO.
x.X ±0.40	XSR	2021/03/15	UNIT mm		BH762-XXSXXXN02(N) A1
x.XX ±0.25	CHECK	DATE	SIZE A4		TITLE: 7.62mm, Single-Row, B Type, W=13.50, H=14.70 Barrier Terminal Blocks
x.XXX ±0.15	APPROVE	DATE	SHEET 1/1		Customer NO.
Angle ± 3'			PROJ.		
DIM TOL					

**WCON**  
 Http: www.wcon.com

WCON-Dongguan Tel: +86 769 85358920  
 Fax: +86 769 85358915  
 E-mail: sales@wcon.com

WCON-Kunshan Tel: +86 512 57468408  
 Fax: +86 512 57468468  
 E-mail: sales@wcon.com

REV	DATE	MODIFICATION DESCRIPTION	CHANGE
A1	2021/03/15	Add UL Logo; Add W/O CAP & W/T WCON SPEC & P/N	XSR
AO	2015/09/16	NEW	