

HSF

NOTES:

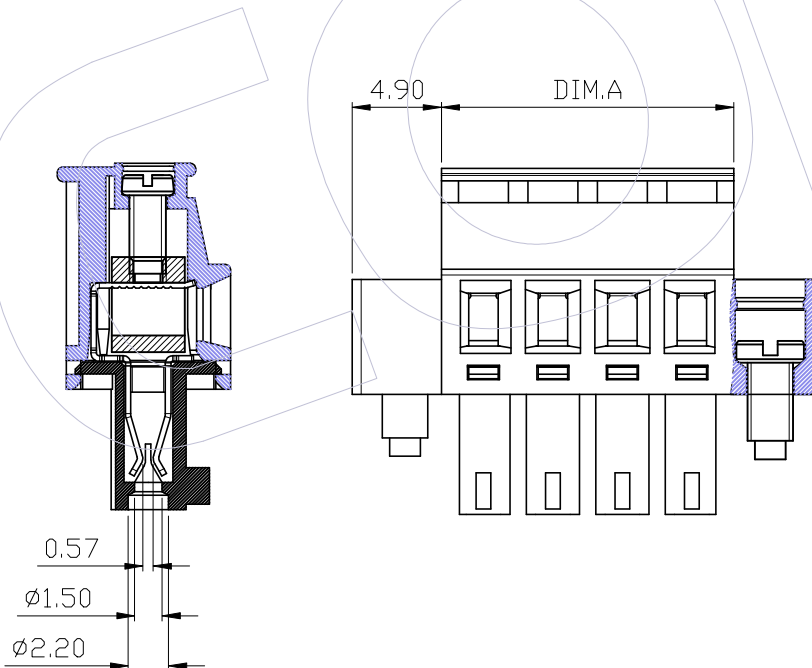
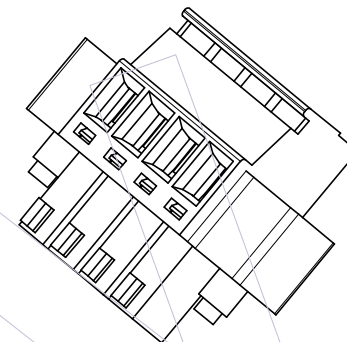
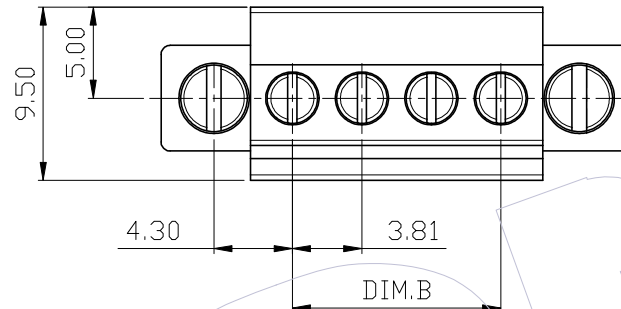
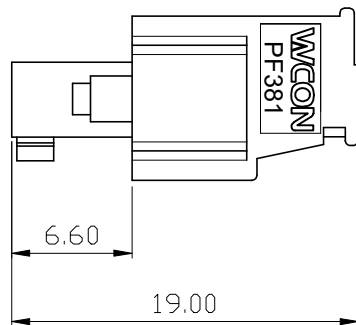
Current Rating: 8A
 Voltage Rating: 300V
 Contact Resistance: 20milliohm Max
 Withstand Voltage: AC2500V
 Insulation Resistance: 1000Megohm Min
 Screw Torque: 3 lbf.in
 Wire range: 16-30AWG
 Operation Temperature: -40°C to +105°C

Housing Material: PA66 UL94V-0
 Cover Material: PA66 UL94-V0
 Screw: Steel
 Pin Block: Brass
 Contact: Phosphor Bronze

Ordering Information:

P F 381 - B XX A SM W 1

F=Female Pitch 381=3.81 No.of Pins 02-24P Color A=Green Contact Plated SM=Matte Tin Type W=With Two Side Screw



位数	DIM. A	DIM. B
24P	92.23±0.45	87.63±0.45
23P	88.42±0.45	83.82±0.45
22P	84.61±0.40	80.01±0.40
21P	80.80±0.40	76.20±0.40
20P	76.99±0.35	72.39±0.35
19P	73.18±0.35	68.58±0.35
18P	69.37±0.35	64.77±0.35
17P	65.56±0.35	60.96±0.35
16P	61.75±0.35	57.15±0.35
15P	57.94±0.35	53.34±0.35
14P	54.13±0.35	49.53±0.35
13P	50.32±0.35	45.72±0.35
12P	46.51±0.35	41.91±0.35
11P	42.70±0.35	38.10±0.35
10P	38.89±0.30	34.29±0.30
9P	35.08±0.30	30.48±0.30
8P	31.27±0.30	26.67±0.30
7P	27.46±0.30	22.86±0.30
6P	23.65±0.30	19.05±0.30
5P	19.84±0.30	15.24±0.30
4P	16.03±0.30	11.43±0.30
3P	12.22±0.30	7.62±0.30
2P	8.41±0.30	3.81±0.30

REV	DATE	MODIFICATION DESCRIPTION	CHANGE	OPERATION	DRAW	DATE	SCALE	FIT	PART NO.
				X.X	±0.40	2019/01/07	UNIT	mm	PF381-BXXASMW1
				X.XX	±0.25		SIZE	A4	
				X.XXX	±0.15		SHEET	1/2	TITLE:
				Angle	± 3'		PROJ.	◆	3.81mm Pitch Female Pluggable Terminal Blocks
				DIM	TOL				Customer NO.
A0	2019/01/07	NEW							

WCON

Http: www.wcon.com

WCON-Dongguan WCON-Kunshan
 Tel: +86 769 85358920 Tel: +86 512 57468408
 Fax: +86 769 85358915 Fax: +86 512 57468468
 E-mail: sales@wcon.com E-mail: salesks@wcon.com