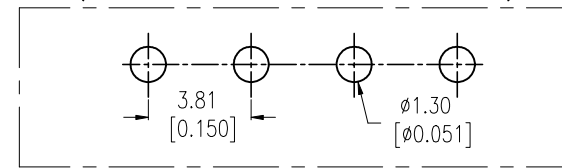


NOTES:
 Current Rating:8A
 Voltage Rating:300V
 Contact Resistance:8milliohm Max
 Withstand Voltage:AC 1500V
 Insulation Resistance:1000Megohm Min
 Operation Temperature:-40°C to +105°C

Housing Material:PA66+30%GF(UL94V-0) $\Delta A3$
 Contact Material:Brass

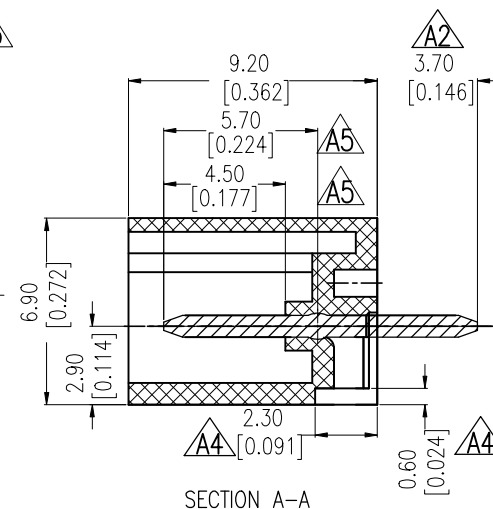
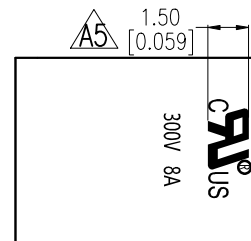
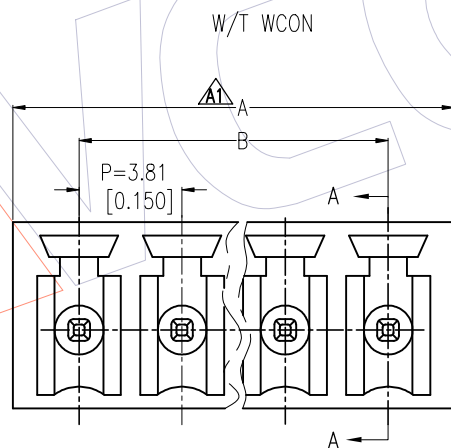
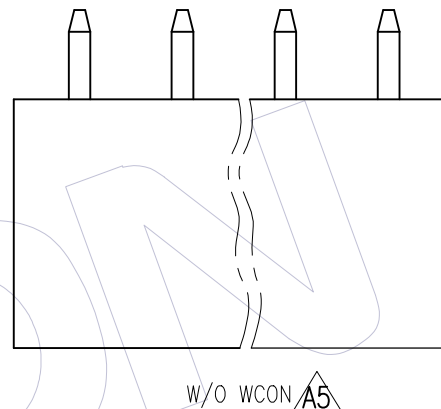
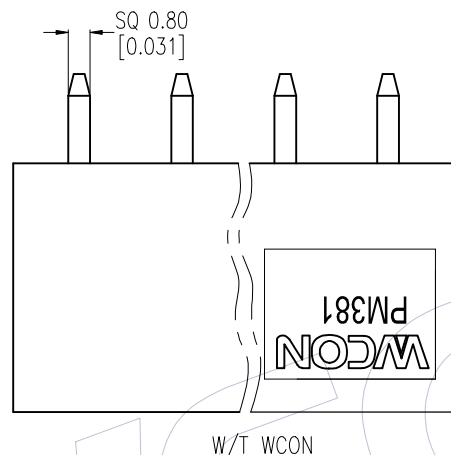
Recommended P.C.B Layout(Top Side)
 (PCB BOARD TOLERANCE ± 0.05)



Ordering Information:

P M 381 - 1 S XX A SM 1 N $\Delta A5$

M=Male
 Pitch 381=3.81
 No.of Pins 02-20P
 Color A=Green
 Contact Plated SM=Matte Tin
 Blank=W/T WCON N=W/O WCON
 Series No.



ITEM	Pitch	Mating
Standard	3.81	PF381
Alternate		

11P	43.30 ± 0.20	38.10 ± 0.20			
10P	39.49 ± 0.20	34.29 ± 0.20	20P	77.59 ± 0.30	72.39 ± 0.30
9P	35.68 ± 0.20	30.48 ± 0.20	19P	73.78 ± 0.30	68.58 ± 0.30
8P	31.87 ± 0.15	26.67 ± 0.15	18P	69.97 ± 0.30	64.77 ± 0.30
7P	28.06 ± 0.15	22.86 ± 0.15	17P	66.16 ± 0.30	60.96 ± 0.30
6P	24.25 ± 0.15	19.05 ± 0.15	16P	62.35 ± 0.30	57.15 ± 0.30
5P	20.44 ± 0.15	15.24 ± 0.15	15P	58.54 ± 0.30	53.34 ± 0.30
4P	16.63 ± 0.15	11.43 ± 0.15	14P	54.73 ± 0.20	49.53 ± 0.20
3P	12.82 ± 0.15	7.62 ± 0.15	13P	50.92 ± 0.20	45.72 ± 0.20
2P	9.01 ± 0.15	3.81 ± 0.10	12P	47.11 ± 0.20	41.91 ± 0.20
PINS	A	B	PINS	A	B

REV	DATE	MODIFICATION DESCRIPTION	CHANGE	OPERATION	DRAW	DATE	SCALE	FIT	PART NO.
A5	2020/11/14	Add UL Logo & DIM;Add W/O WCON SPEC&P/N $\Delta A5$	XSR	OPERATION	DRAW	2020/11/14	SCALE	FIT	PM381-1SXXASM1(N) $\Delta A5$
A4	2018/03/12	Modify $\Delta A4$	XSR	x.x ± 0.40	XSR		UNIT	mm	TITLE: 3.81mm Pitch Male Pluggable Terminal Blocks
A3	2013/06/05	Modify The Housing Material $\Delta A3$		x.xx ± 0.25	CHECK		SIZE	A4	
A0	2012/05/15	NEW		x.xxx ± 0.15	APPROVE		SHEET	1/1	
				Angle $\pm 3^\circ$			PROJ.		Customer NO.
				DIM TOL					

WCON

Http: www.wcon.com

WCON-Dongguan	WCON-Kunshan
Tel: +86 769 85358920	Tel: +86 512 57468408
Fax: +86 769 85358915	Fax: +86 512 57468468
E-mail: sales@wcon.com	E-mail: sales@wcon.com