

# HSF

**NOTES:**

1. MATERIAL:
  - 1.1 HOUSING:PA66 (UL94V-0)
  - 1.2 COVER:PA66 (UL94V-0)
  - 1.3 TERMINAL:BRASS,MATTE TIN PLATED OVER NICKEL
2. ELECTRICAL:
  - 2.1 CURRENT RATING: 8 A
  - 2.2 VOLTAGE RATING: 300 V
  - 2.3 CONTACT RESISTANCE:8 mΩ MAX.
  - 2.4 DIELECTRIC WITHSTANDING VOLTAGE:2000V AC
  - 2.5 INSULATION RESISTANCE:1000 MΩ MIN
3. ENVIRONMENTAL:
  - 3.1 OPERATION TEMPERATURE:-40°C TO +105°C
4. No.OF POSITIONS:2~20
5. ALL MATERIALS SHOULD BE COMPLIANT TO ROHS

**Ordering Information:**

**P M 381 - 3 R XX X SM 2 N**

M=Male

No.of Pins  
(Per Row)  
02-20P

Contact Plated  
SM=Matte Tin  
Color  
A=Green

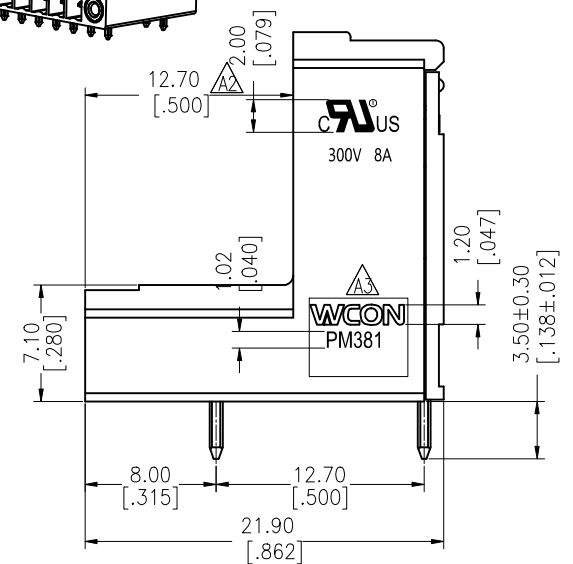
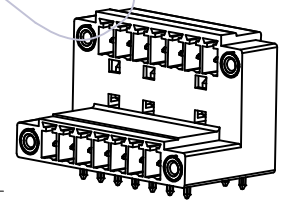
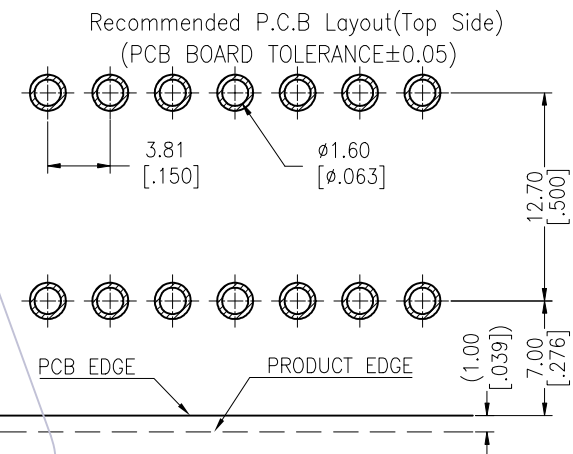
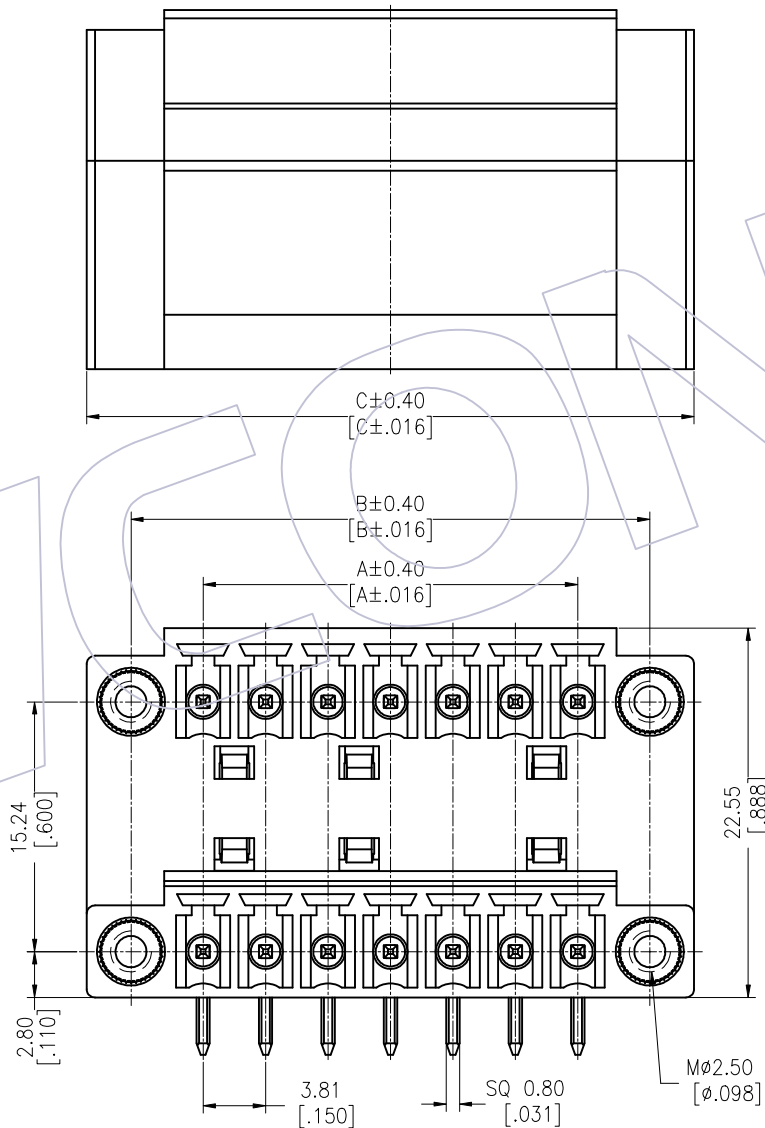
Series No.

N=W/O WCON

Pitch  
381=3.81

P/N	Spec.
PM381-3RXXXSM2	W/T WCON
PM381-3RXXXSM2N	W/O WCON

PIN	DIM.A	DIM.B	DIM.C	PIN	DIM.A	DIM.B	DIM.C
02	3.81	12.61	18.01	12	41.91	50.71	56.11
03	7.62	16.42	21.82	13	45.72	54.52	59.92
04	11.43	20.23	25.63	14	49.53	58.33	63.73
05	15.24	24.04	29.44	15	53.34	62.14	67.54
06	19.05	27.85	33.25	16	57.15	65.95	71.35
07	22.86	31.66	37.06	17	60.96	69.76	75.16
08	26.67	35.47	40.87	18	64.77	73.57	78.97
09	30.48	39.28	44.68	19	68.58	77.38	82.78
10	34.29	43.09	48.49	20	72.39	81.19	86.59
11	38.10	46.90	52.30				



REV	DATE	MODIFICATION DESCRIPTION	CHANGE	OPERATION	DRAW	DATE	SCALE	FIT	PART NO.
A3	2021/08/24	Change Material and ADD WCON LOGO	PAN	OPERATION	DRAW	2021/08/24	SCALE	FIT	PM381-3RXXXSM2X
A2	2020/11/19	ADD UL LOGO	XSR	x.X ±0.40	PAN		UNIT	mm	
A1	2013/06/05	Modify The Housing and Cover Material		x.XX ±0.25	CHECK		SIZE	A4	TITLE: 3.81mm Pitch Male Pluggable Terminal Blocks Double Stagger Tier With Flange
A0	2013/01/30	NEW		x.XXX ±0.15			SHEET	1/1	Customer NO.
				Angle ± 3°	APPROVE		PROJ.		
				DIM TOL					

**WCON**  
Http: www.wcon.com

WCON-Dongguan Tel: +86 769 85358920 Fax: +86 769 85358915 E-mail: sales@wcon.com

WCON-Kunshan Tel: +86 512 57468408 Fax: +86 512 57468468 E-mail: sales@wcon.com