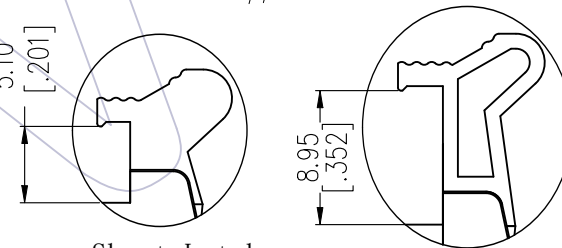
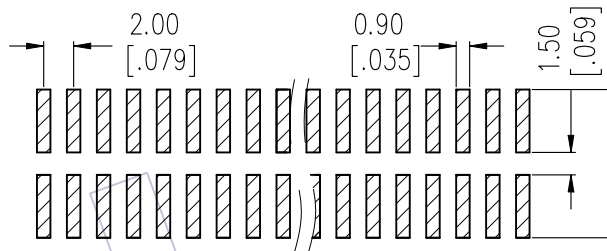
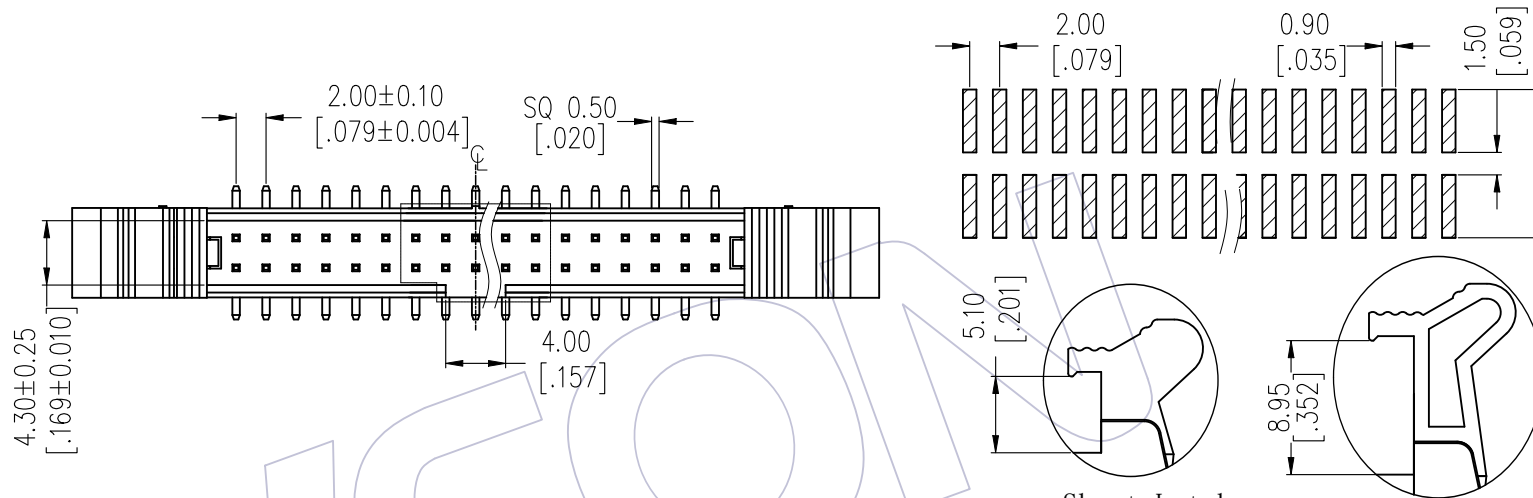


# HSF

NOTES:  
 Current Rating: 2.0AMP  
 Contact Resistance: 20mΩ Max  
 Withstand Voltage: 500V AC/DC  
 Insulation Resistance: 1000MΩ Min  
 Operation Temperature: -40℃ to +105℃

Contact Material: Brass  
 Contact plating: Au Or Sn over Ni  
 Insulator Material: PA9T+30%G.F UL94V-0

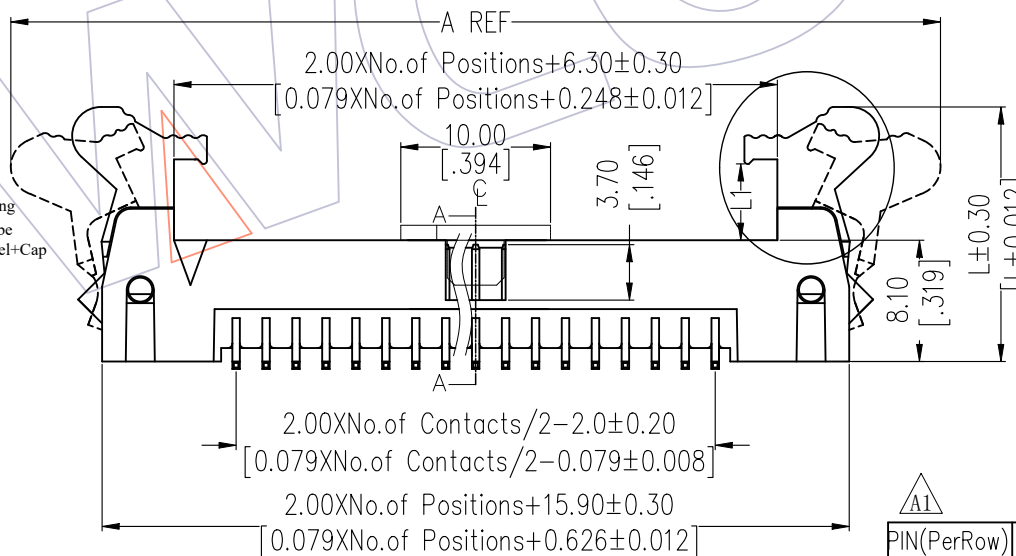
Recommended P.C.B Layout (Top Side)  
 (PCB BOARD TOLERANCE±0.05)



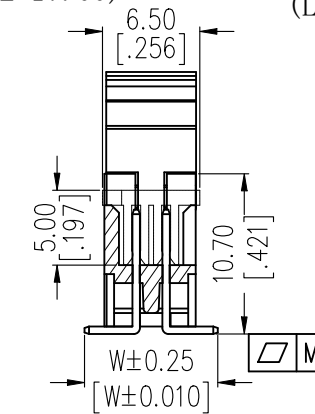
## Ordering Information

3220-XX M XX B X X 1

No. of Pins	Contact Plating	Insulator Color	Latch type	Packing
08 30	G0=Gold Flash	B=Black	L=Long Latch	T=Tube
10 34	G3=10u"Gold	U=Blue	S=Short Latch	R=Reel+Cap
14 40	G4=15u"Gold	G=Grey(427C)		
16 44	G5=30u"Gold	E=Grey(413C)		
20 50	S0=Gold Flash/Tin			
24 60	S3=10u"Gold/Tin			
26 64	S4=15u"Gold/Tin			
68	S5=30u"Gold/Tin			
	SN=Tin			



Short Latch (L=17.00)  
 Long Latch (L=20.85)



DIM A	
Short Latch	2.00XNo. of Positions+28.1
Long Latch	2.00XNo. of Positions+31.7

PIN(PerRow)	M		
	8-20P	24-40P	44-68P
M	0.10	0.12	0.15

Dimension antitheses list	
ITEM	W
Standard	8.90
Alternate	

REV	DATE	MODIFICATION DESCRIPTION	CHANGE	OPERATION	DRAW	DATE	SCALE	FIT	PART NO.
A1	2023/02/17	Add Flatness	DuYing	x.x ±0.40	DuYing	2023/02/17	UNIT mm		3220-XXMXXBXX1
A0	2016/11/02	NEW	DingWenMin	x.xx ±0.25	CHECK	DATE	SIZE A4		TITLE: 2.0 Ejector Header SMT
				x.xxx ±0.15	APPROVE	DATE	SHEET 1/1		Customer NO.
				Angle ± 3°			PROJ.		
				DIM TOL					

**WCON**  
 Http: www.wcon.com  
 WCON-Dongguan Tel: +86 769 85358920  
 WCON-Kunshan Tel: +86 512 57468408  
 Fax: +86 769 85358915  
 Fax: +86 512 57468468  
 E-mail: sales@wcon.com  
 E-mail: salesks@wcon.com