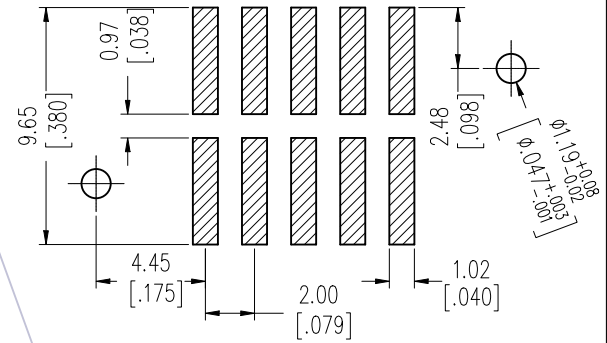
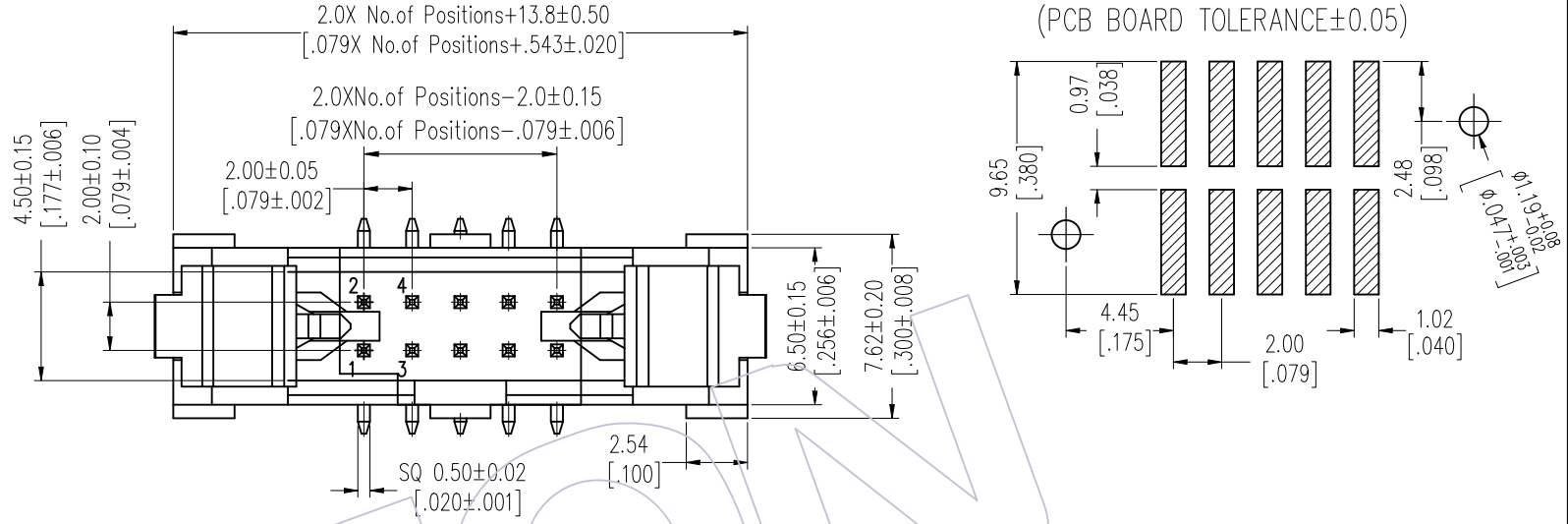


HSF

NOTES:
 Rated Current: 3.0AMP
 Contact Resistance: 20mΩ max
 Withstand Voltage: 1000V AC/DC
 Insulation Resistance: 1000MΩ min
 Operation Temperature: -55℃ to +125℃

Contact Material: Brass
 Contact Plating: Au or Sn Over Ni
 Insulator Material: LCP+30%G.F UL94V-0

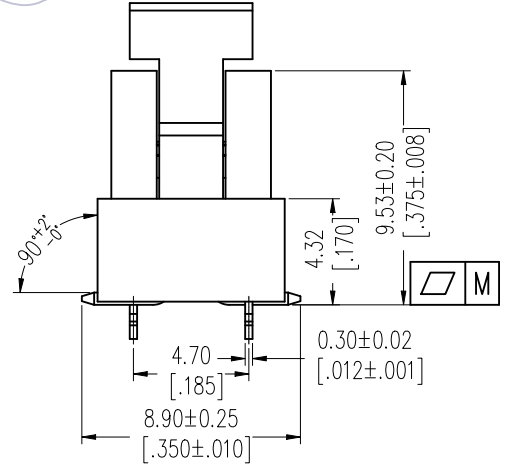
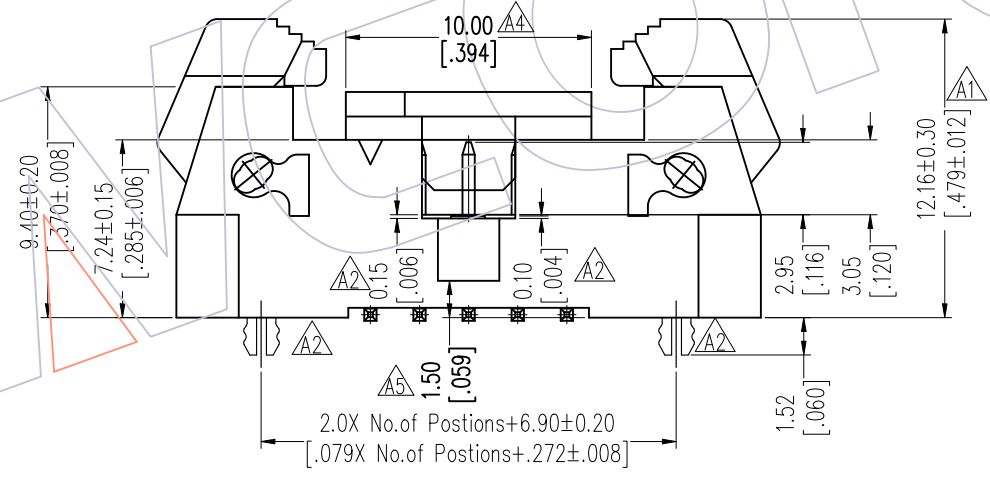
Recommended P.C.B Layout(Top Side)
 (PCB BOARD TOLERANCE±0.05)



Ordering Information

3221-XX M XX B S X 2

- No. of Pins: 06 30, 08 34, 10 40, 14 44, 16 50, 20 60, 24 64, 26
- Contact Plating: G0=Gold Flash, G3=10u"Gold, G4=15u"Gold, G5=30u"Gold, S0=Gold Flash/Tin, S3=10u"Gold/Tin, S4=15u"Gold/Tin, S5=30u"Gold/Tin, SN=Tin
- Insulator Color: B=Black
- Packing: A=Tray, T=Tube, R=Reel+Cap



B0	PIN(PerRow)	6-20P	24-40P	44-64P
	M	0.10	0.12	0.15

B0	2023/02/17	Add Flatness	B0	Du Ying	OPERATION	DRAW	DATE	SCALE	FIT	PART NO. 3221-XXMXXBSX2 A4
A5	2020/05/14	Modify Bump Add 1.50mm	A5	Du Ying	x.x ±0.40	Du Ying	2023/02/17	UNIT	mm	
A4	2020/01/07	ADD Reel Packing	A4	XSR	x.xx ±0.25	CHECK	DATE	SIZE	A4	
A0	2009/05/05	NEW			x.xxx ±0.15	APPROVE	DATE	SHEET	1/1	
REV	DATE	MODIFICATION DESCRIPTION	CHANGE		Angle ± 3°		DATE	PROJ.		

WCON
 Http: www.wcon.com

WCON-Dongguan WCON-Kunshan
 Tel: +86 769 85358920 Tel: +86 512 57468408
 Fax: +86 769 85358915 Fax: +86 512 57468468
 E-mail: sales@wcon.com E-mail: salesks@wcon.com