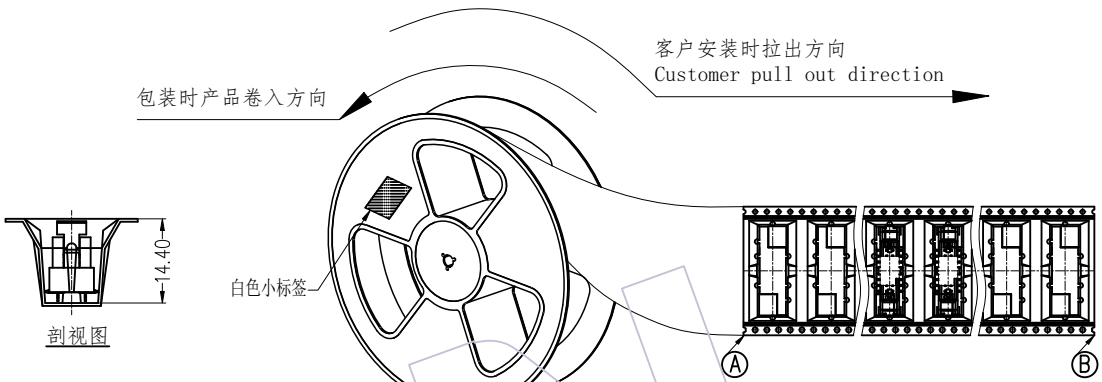
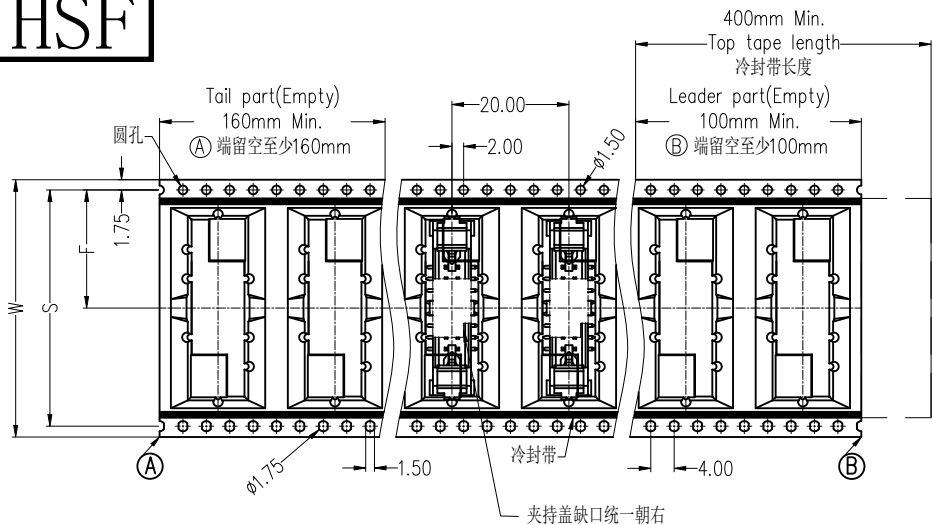
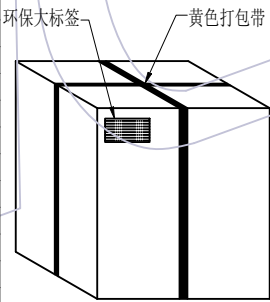


# HSF

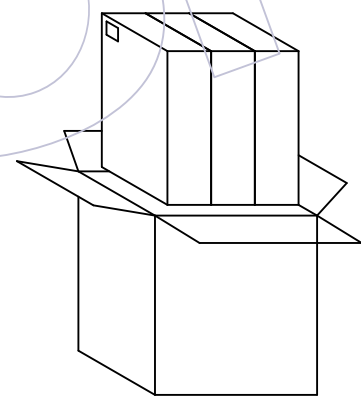


**No.1:**  
 产品包装前,注意载带要留空160mm以上  
 将产品放入载带凹槽后,用盖带封装,  
 注意:盖带与承载带的拉力30g-120g

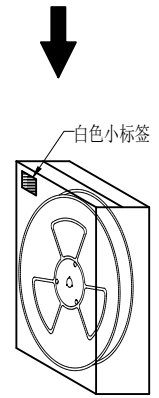
Pin	载带料号	W	S	F	PCS/Reel	PCS/内箱	PCS/外箱
8P	TR3221-MN008M13601	44.0±0.30	40.40±0.10	20.20±0.15	200	400	1200
10P	TR3221-10G4401	44.0±0.30	40.40±0.10	20.20±0.15	200	400	1200
12P	TR3221-MN012M13601	44.0±0.30	40.40±0.10	20.20±0.15	200	400	1200
14P	TR3221-MN014M13601	44.0±0.30	40.40±0.10	20.20±0.15	200	400	1200
16P	TR3221-16G4401	44.0±0.30	40.40±0.10	20.20±0.15	200	400	1200
18P	TR3221-MN018M13601	56.0±0.30	52.40±0.10	26.20±0.15	200	200	600
20P	TR3221-MN020M13601	72.0±0.30	68.40±0.10	34.20±0.15	200	200	600
22P	TR3221-MN022M13601	72.0±0.30	68.40±0.10	34.20±0.15	200	200	600
24P	TR3221-MN024M13601	72.0±0.30	68.40±0.10	34.20±0.15	200	200	600
26P	TR3221-26G7201	72.0±0.30	68.40±0.10	34.20±0.15	200	200	600
30P	TR3221-MN030M13601	72.0±0.30	68.40±0.10	34.20±0.15	200	200	600
34P	TR3221-34G7201	72.0±0.30	68.40±0.10	34.20±0.15	200	200	600
36P	TR3221-MN036M13601	88.0±0.30	84.40±0.10	42.20±0.15	200	200	600
40P	TR3221-MN040M13601	88.0±0.30	84.40±0.10	42.20±0.15	200	200	600
44P	TR3221-MN044M13601	88.0±0.30	84.40±0.10	42.20±0.15	200	200	600
50P	TR3221-MN050M13601	88.0±0.30	84.40±0.10	42.20±0.15	200	200	600



**No.4:**  
 封箱,打包,贴标签。



**No.3:**  
 将内箱装入外箱(3内箱/外箱)  
 注意统一标签方向



**No.2:**  
 将卷盘套上PE-32防水袋,  
 放入1包干燥剂,  
 真空机封口后装入内箱,  
 用封箱胶封装好,并贴上标签。

变更记事

版次	日期	变更说明	变更	核准
REV	DATE	MODIFICATION DESCRIPTION	CHANGE	APPROVE
A0	2020/05/29	NEW	-----	-----

工程图	绘图	苏珊	2020/05/29	SCALE	FIT
ENGINEERING	DRAW				
X.X	±0.30	设计		UNIT	mm
X.XX	±0.20	审核		SIZE	A4
X.XXX	±0.10	核准		SHEET	1/1
Angle	± 2°	核准		PROJ.	☉
DIM	TOL	核准			

料号 PART NO.		3221-XXMXXBSR1	
品名 TITLE:		2.0 Ejector Header, S Type, SMT, W/T CAP Short Latch, L=10.2/8.9(0)/3.0 卷装规范	

**WCON**  
 WCON ELECTRONICS (GUANGDONG) CO., LTD