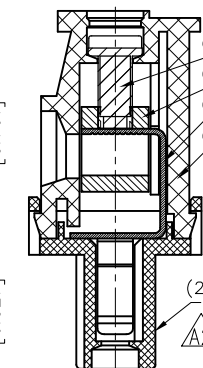
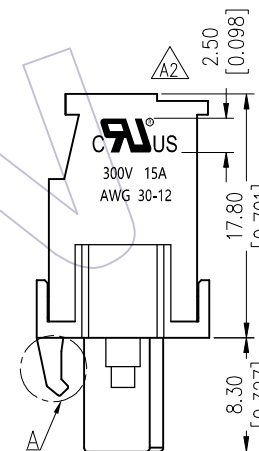
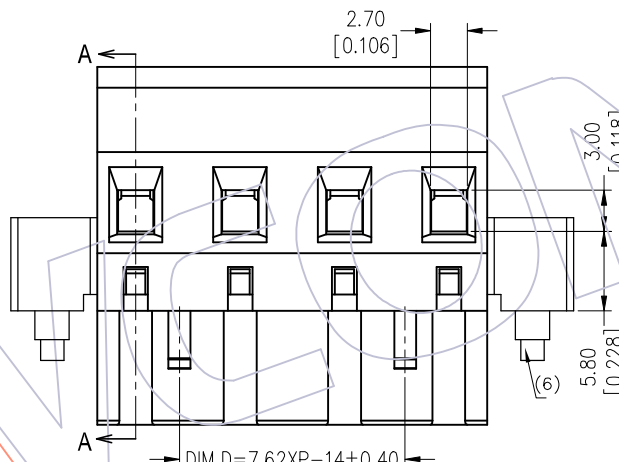
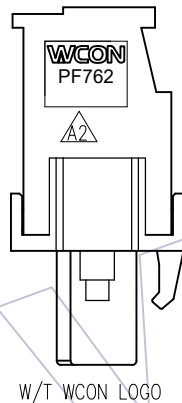
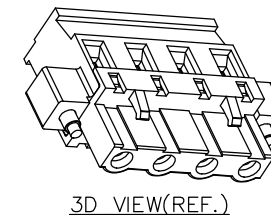
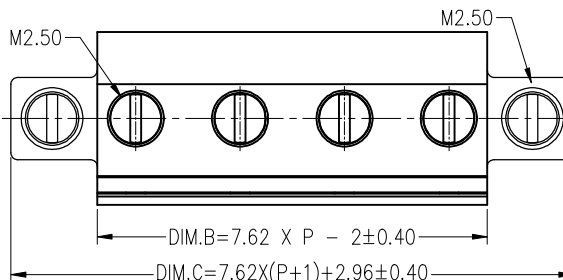
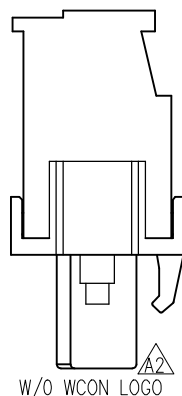


HSF

NOTES:

Rated Current: 15 AMP
 Contact Resistance: 8 mΩ Max
 Withstand Voltage: 2000 V AC/DC
 Insulation Resistance: 1000 MΩ min
 Operation Temperature: -40°C to +105°C
 Wire Range: 30~12 AWG
 Wire Strip Length: 7 mm
 Screw Counter Torsion Force: 4.4 lbf.in Min.
 2P Without RAMP Locking "A"

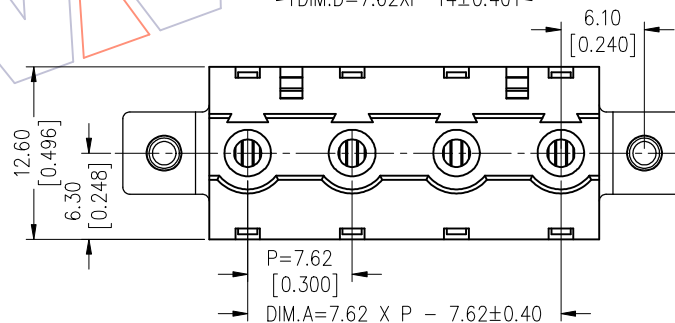


Ordering Information:

P F 762 - B XX A SM W 1 N

F=Female Pitch 762=7.62 No. of Pins 02-20P Contact Plated SM=Matte Tin Blank=W/T WCON Logo W=With Screw
 Color A=Green Type W=With Screw

PIN	DIM.A	DIM.B	DIM.C	DIM.D	PIN	DIM.A	DIM.B	DIM.C	DIM.D
0 2	7.62	13.24	25.82	—	1 2	83.82	89.44	102.02	77.44
0 3	15.24	20.86	33.44	8.86	1 3	91.44	97.06	109.64	85.06
0 4	22.86	28.48	41.06	16.48	1 4	99.06	104.68	117.26	92.68
0 5	30.48	36.10	48.68	24.10	1 5	106.68	112.30	124.88	100.3
0 6	38.10	43.72	56.30	31.72	1 6	114.30	119.92	132.50	107.92
0 7	45.72	51.34	63.92	39.34	1 7	121.92	127.54	140.12	115.54
0 8	53.34	58.96	71.54	46.96	1 8	129.54	135.16	147.74	123.16
0 9	60.96	66.58	79.16	54.58	1 9	137.16	142.78	155.36	130.78
1 0	68.58	74.20	86.78	62.20	2 0	144.78	150.40	162.98	138.40
1 1	76.20	81.82	94.40	69.82					



ITEM	TITLE	P/N	Q'TY	Material
(6)	Screw-2	MC025-1SXX01	2	C1018
(5)	Contact	TPT051-PSM001	N	C5191R-H T=0.4
(4)	Pin Block	BL025-1SN101	N	C3604
(3)	Screw	MA025-1SXX01	N	C1018
(2)	Cover	HPC762-XXB1AN2	1	PA66 UL94-V0
(1)	Housing	HPF762-XXB1AW2(N)	1	PA66 UL94-V0

REV	DATE	MODIFICATION DESCRIPTION	CHANGE	OPERATION	DRAW	DATE	SCALE	FIT	PART NO.
A2	2020/08/05	ADD LOGO; ADD W/O WCON LOGO P/N	A2	XSR	X.X	2020/08/05	UNIT	mm	PF762-BXXASMW1(N) A2
A1	2015/07/15	Modify	A1	Allen	X.XX	DATE	SIZE	inch	TITLE:
A0	2013/07/17	NEW	—	—	X.XXX	DATE	SHEET	A4	7.62mm Pitch Female Pluggable Terminal Blocks
					Angle	DATE	PROJ.	1/1	Customer NO.
					DIM				



WCON-Dongguan WCON-Kunshan
 Tel: +86 769 85358920 Tel: +86 512 57468408
 Fax: +86 769 85358915 Fax: +86 512 57468468
 E-mail: sales@wcon.com E-mail: salesks@wcon.com