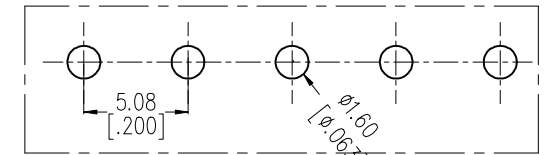


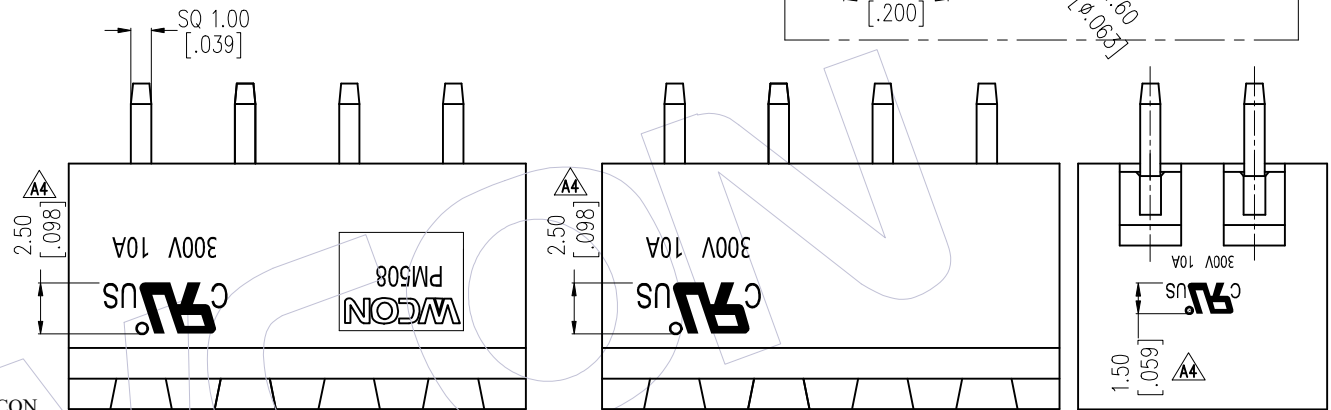
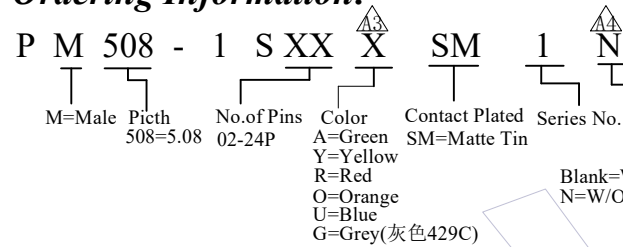
NOTES:  
 Current Rating:10A  
 Voltage Rating:300V  
 Contact Resistance:8milliohm Max  
 Withstand Voltage:AC2000V  
 Insulation Resistance:1000Megohm Min  
 Operation Temperature:-40°C to +105°C

Housing Material:PA66+30%GF(UL94V-0)  
 Contact Material:Brass

Recommended P.C.B Layout(Top Side)  
 (PCB BOARD TOLERANCE±0.05)

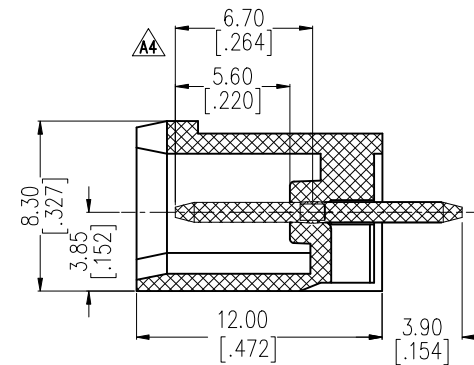
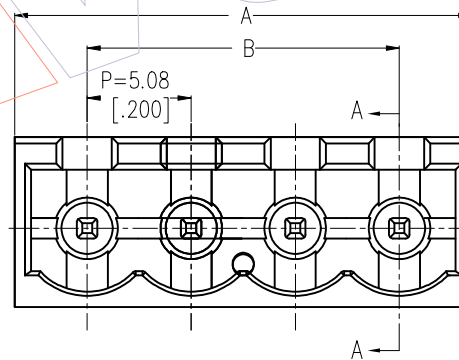


**Ordering Information:**



W/O WCON

2P UL LOGO



SECTION A-A

13P	68.04 ±0.30	60.96 ±0.30			
12P	62.96 ±0.30	55.88 ±0.30	24P	123.92 ±0.50	116.84 ±0.50
11P	57.88 ±0.30	50.80 ±0.30	23P	118.84 ±0.50	111.76 ±0.50
10P	52.80 ±0.30	45.72 ±0.30	22P	113.76 ±0.50	106.68 ±0.50
9P	47.72 ±0.30	40.64 ±0.30	21P	108.68 ±0.50	101.60 ±0.50
8P	42.64 ±0.30	35.56 ±0.30	20P	103.60 ±0.50	96.52 ±0.50
7P	37.56 ±0.20	30.48 ±0.20	19P	98.52 ±0.40	91.44 ±0.40
6P	32.48 ±0.20	25.40 ±0.20	18P	93.44 ±0.40	86.36 ±0.40
5P	27.40 ±0.20	20.32 ±0.20	17P	88.36 ±0.40	81.28 ±0.40
4P	22.32 ±0.20	15.24 ±0.20	16P	83.28 ±0.40	76.20 ±0.40
3P	17.24 ±0.20	10.16 ±0.20	15P	78.20 ±0.40	71.12 ±0.40
2P	12.16 ±0.20	5.08 ±0.10	14P	73.12 ±0.40	66.04 ±0.40
PIN	A	B	PIN	A	B

ITEM	Pitch	Mating
Standard	5.08	PF508
Alternate		

A4	2020/11/18	ADD UL LOGO & DIM; ADD W/O WCON SPEC & P/N;	XSR	OPERATION	DRAW	DATE	SCALE	FIT	PART NO. PM508-1SXXXSM1(N)
A3	2018/09/12	PM508-1SXXASM1 → PM508-1SXXXSM1		X.X ±0.40	XSR	2020/11/18	UNIT	mm	
A2	2013/06/05	Modify The Housing Material		X.XX ±0.25	CHECK	DATE	SIZE	A4	
A0	2011/06/08	NEW		X.XXX ±0.15	APPROVE	DATE	SHEET	1/1	
REV	DATE	MODIFICATION DESCRIPTION	CHANGE	Angle ± 3°			PROJ.		TITLE: 5.08mm Pitch Male Pluggable Terminal Blocks
				DIM TOL					Customer NO.

**WCON**

Http: www.wcon.com

WCON-Dongguan Tel: +86 769 85358920  
 WCON-Kunshan Tel: +86 512 57468408  
 Fax: +86 769 85358915 Fax: +86 512 57468468  
 E-mail: sales@wcon.com E-mail: salesks@wcon.com