

HSF

NOTES:

Rated Current: 15.0 AMP
 Contact Resistance: 8.0 milliohm Max
 Withstand Voltage: 2000 V AC/DC
 Insulation Resistance: 1000 Megohm min
 Operation Temperature: -40°C to +105°C

Housing Material: PA66(UL94V-0) $\triangle A1$

Contact Material: Brass

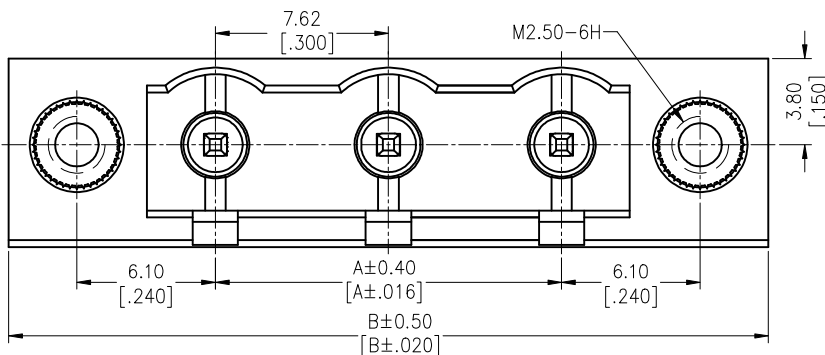
Terminal Plating:

Matte Tin Plated Over Nickel

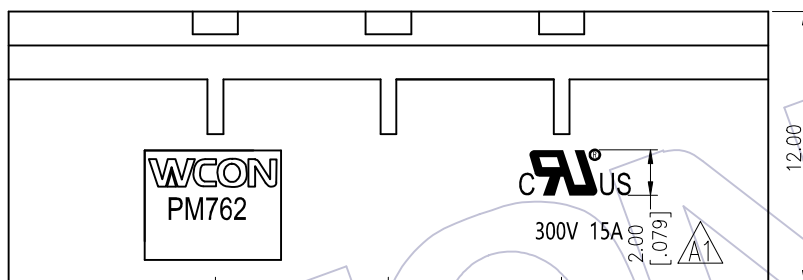
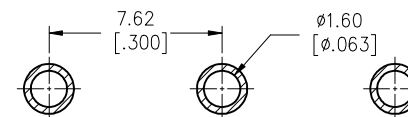
Ordering Information:

P M 762- 1 S XX A SM 2 N $\triangle A1$

M=Male Pitch 762=7.62 No. of Pins 02-20P Contact Plated SM=Matte Tin Series No. Color A=Green Blank=W/T WCON N=W/O WCON

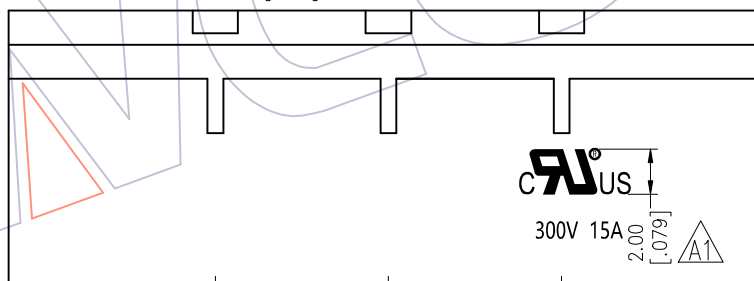


Recommended P.C.B Layout(Top Side)
 (PCB BOARD TOLERANCE±0.05)

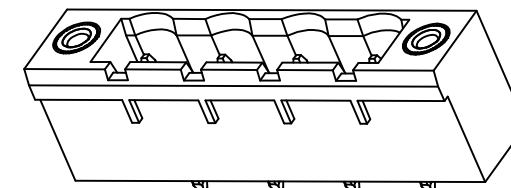
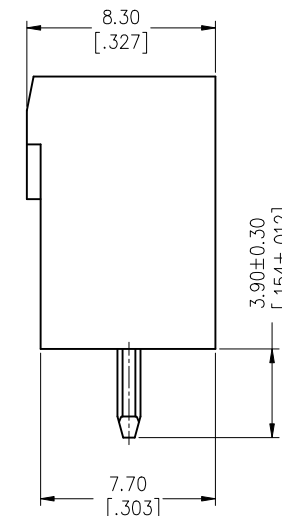


W/T WCON

SQ 1.00 [0.039]



$\triangle A1$
 W/O WCON



PIN	DIM.A	DIM.B	PIN	DIM.A	DIM.B
02	7.62	25.82	12	83.82	102.02
03	15.24	33.44	13	91.44	109.64
04	22.86	41.06	14	99.06	117.26
05	30.48	48.68	15	106.68	124.88
06	38.10	56.30	16	114.30	132.50
07	45.72	63.92	17	121.92	140.12
08	53.34	71.54	18	129.54	147.74
09	60.96	79.16	19	137.16	155.36
10	68.58	86.78	20	144.78	162.98
11	76.20	94.40			

REV	DATE	MODIFICATION DESCRIPTION	CHANGE	OPERATION		DRAW	DATE	SCALE	FIT	PART NO.
				X.X	±0.40					
A2	2021/08/24	Material Change	GH	X.X	±0.40	GH	2021/08/24	UNIT	mm	PM762-1SXXASM2(N) $\triangle A1$
A1	2021/02/23	ADD UL Logo; ADD W/O WCON SPEC&P/N	XSR	X.XX	±0.25	CHECK	DATE	SIZE	A4	
A0	2013/10/24	NEW		X.XXX	±0.15	APPROVE	DATE	SHEET	1/1	TITLE:
				Angle	± 3°			PROJ.	Customer NO.	
				DIM	TOL					

WCON
 Http: www.wcon.com

WCON-Dongguan Tel: +86 769 85358920
 WCON-Kunshan Tel: +86 512 57468408
 Fax: +86 769 85358915
 Fax: +86 512 57468468
 E-mail: sales@wcon.com
 E-mail: salesks@wcon.com