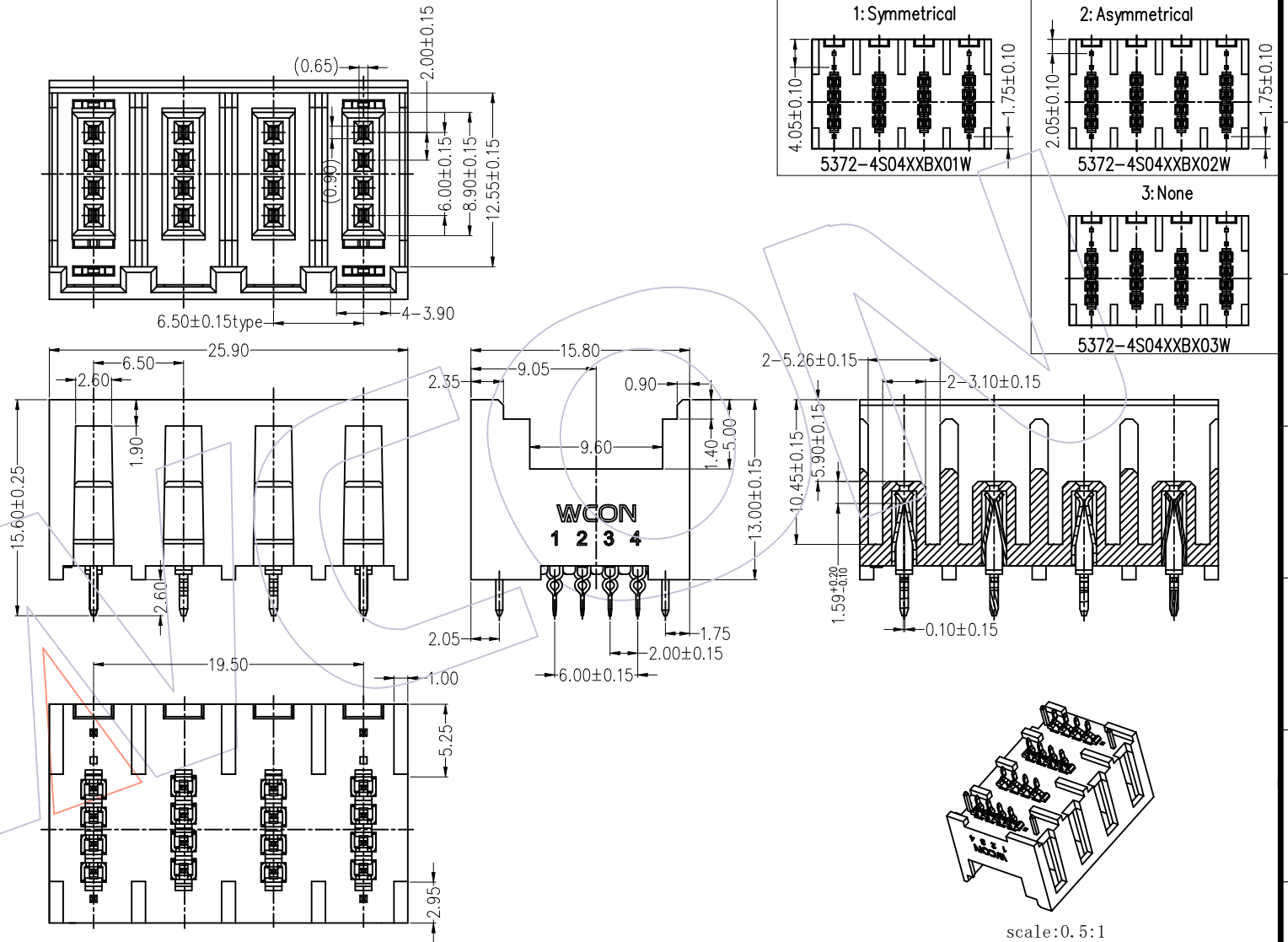


HSF

Current Rating: 3.0A
 Voltage Rating: 32V
 Insulation Resistance: 1000MΩ min 500V DC
 Withstanding Voltage: 1000V
 Operation Temperature: -20°C to +85°C
 Insulation
 Material: LCP
 Flammability: UL94V-0
 Color: Black
 Contact:
 Material: Copper Alloy
 Plating:
 Underplating: 100u" Nickel
 Wiping Area: Gold with Lubricant
 Solder Tails: Gold Flash
 Solder Tabs: 120u" Matte Sn
 over 40-120u" Nickel



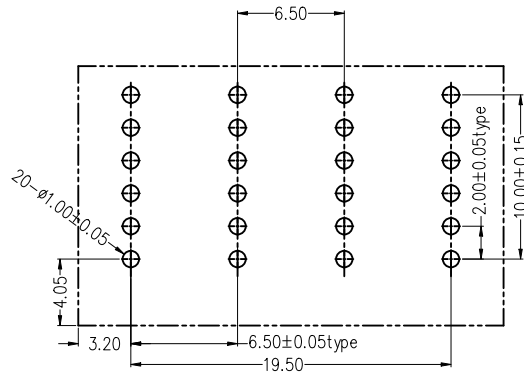
REV	DATE	MODIFICATION DESCRIPTION	CHANGE	OPERATION	DRAW	DATE	SCALE	FIT	PART NO.
A0	2021/12/20	NEW	—	X.X ±0.40	PAN	2021/12/20	UNIT	mm	5372-4S04XXBX0XW
				X.XX ±0.25	CHECK	DATE	inch	SIZE	
				X.XXX ±0.15	APPROVE	DATE	SHEET	1/2	TITLE:
				Angle ± 3°			PROJ.	⊕	2.0mm Mini Clamp Socket 16p Four Rows Through Hole Type
				DIM TOL					Customer NO.

WCON
 Http: www.wcon.com
 WCON-Dongguan Tel: +86 769 85358920
 WCON-Kunshan Tel: +86 512 57468408
 Fax: +86 769 85358915
 Fax: +86 512 57468468
 E-mail: sales@wcon.com
 E-mail: salesks@wcon.com

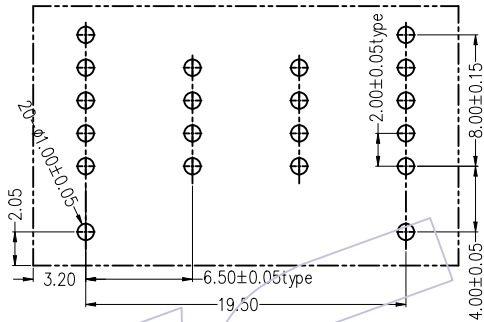
A
B
C
D
E
F
G
H

A
B
C
D
E
F
G
H

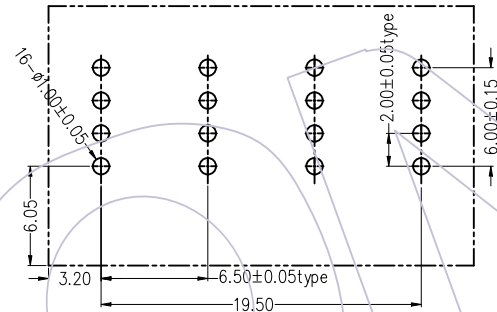
HSF



5372-4S04XXBX01W
PCB Layout

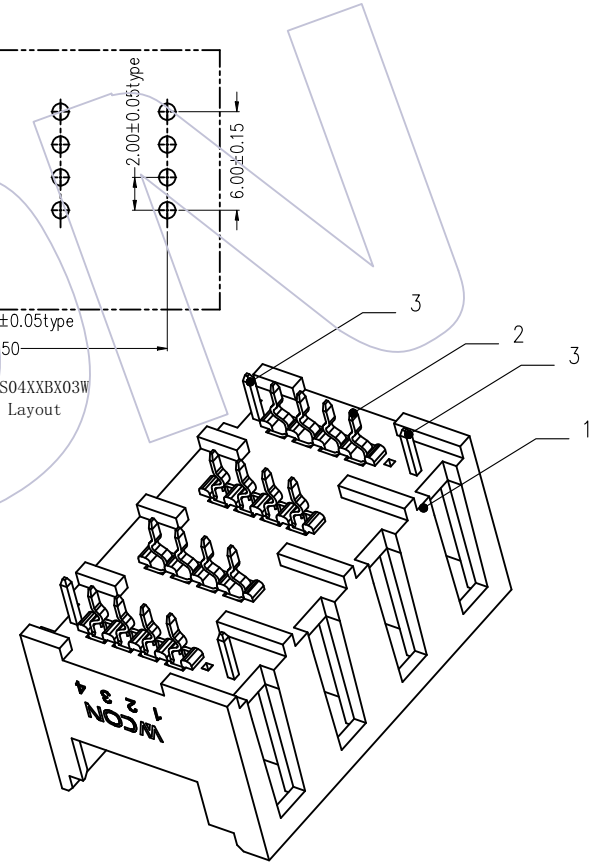


5372-4S04XXBX02W
PCB Layout



5372-4S04XXBX03W
PCB Layout

Recommended Hole Pattern



Ordering Information

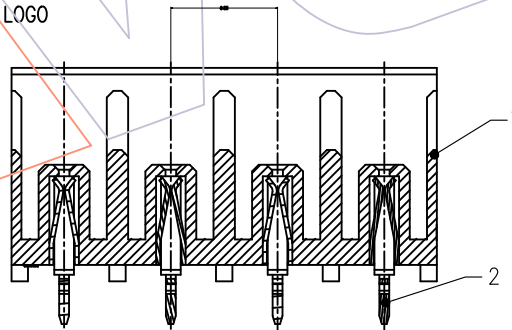
5372 - 4 X 04 XX X X XX X

FOUR ROW
Type
M=180° SMT
R=90° Dip
S=180° Dip
Z=90° SMT

Pin
04=4P
Terminal Plating
S0=Gold Flash/Tin
S1=3u"Gold/Tin
S2=5u"Gold/Tin
S3=10u"Gold/Tin
S4=15u"Gold/Tin

Color
B=BLACK
N=NATURAL
Packing
T=Tube
R=Tape&Reel
A=Tray
O=PE Bag

LOGO
NA
W=With WCON LOGO
M=Customer'S LOGO
Series No. SPC.
(01-99)
Locating Posts
1=Symmetrical
2=Asymmetrical
3=None



3	Dip-Tab	M5372-BXXS05	C2680	4
2	Contact	T5372-PXXS04	C5191R-H	16
1	Housing	G5372-4S04B01W	LCP	1
No.	Part Name	Part No.	Material	Q'TY

REV	DATE	MODIFICATION DESCRIPTION	CHANGE	OPERATION	DRAW	DATE	SCALE	FIT	PART NO.
A0	2021/12/20	NEW		X.X ±0.40	PAN	2021/12/20	UNIT	mm inch	5372-4S04XXBX0XW
				X.XX ±0.25	CHECK	DATE	SIZE	A4	TITLE:
				X.XXX ±0.15	APPROVE	DATE	SHEET	2/2	2.0mm Mini Clamp Socket 16p Four Rows Through Hole Type
				Angle ± 3°			PROJ.	Customer No.	
				DIM TOL					

WCON

Http: www.wcon.com

WCON-Dongguan
Tel: +86 769 85358920
Fax: +86 769 85358915
E-mail: sales@wcon.com

WCON-Kunshan
Tel: +86 512 57468408
Fax: +86 512 57468468
E-mail: salesks@wcon.com