

HSF

Current Rating: 3.0A
 Voltage Rating: 32V
 Insulation Resistance: 1000MΩ min 500V DC
 Withstanding Voltage: 1000V
 Operation Temperature: -20°C to +85°C
 Insulation
 Material: Glass Reinforced Thermoplastic Body&Lower
 Cover, Transparent Thermoplastic Cover
 Flammability: UL94V-0
 Color: Black Body, Cover-White&Color(see Table 1)
 Contact
 Material: Copper Alloy
 Plating
 Underplating: 50-100u" Nickel
 Wiping Area: Gold with Lubricant
 IDC: 80-300u" Matte Tin
 Wire Accomodation: Copper Alloy, 7-19 Bare
 and Tinned Strands, 0.14-0.50mm², 20-26AWG
 Wire Insulation: Flexible Vinyl, Semi-Flexible
 Vinyl, Polyethylene, or PTFE For approved cables

Ordering Information

5373 - 2 04 SX XXX X X XX X

DOUBLE ROW

Pin
04=4P

LOCK

N=W/O LOCK
W=W/T LOCK

Series No.
01-99

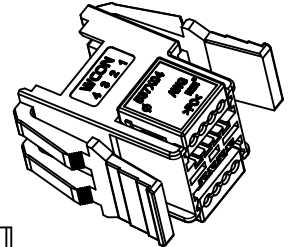
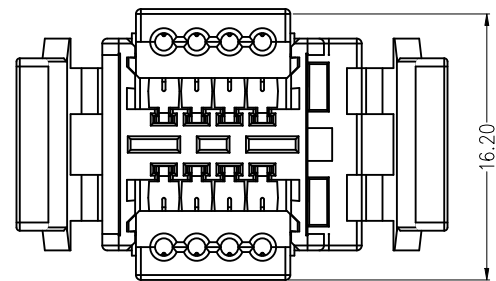
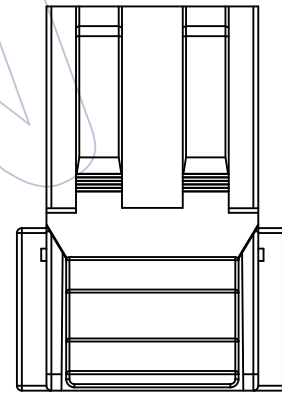
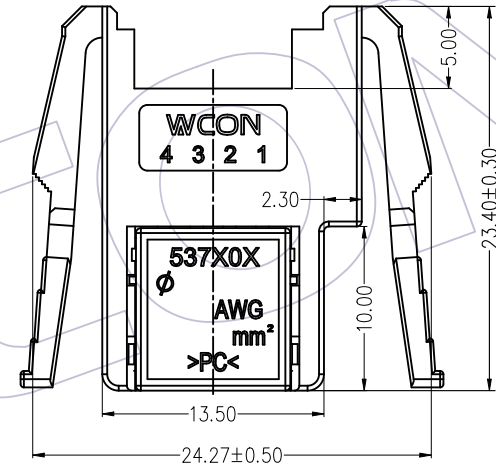
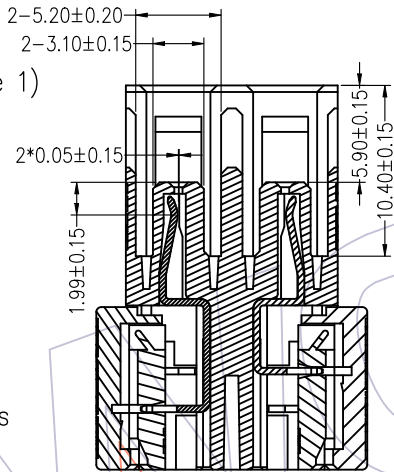
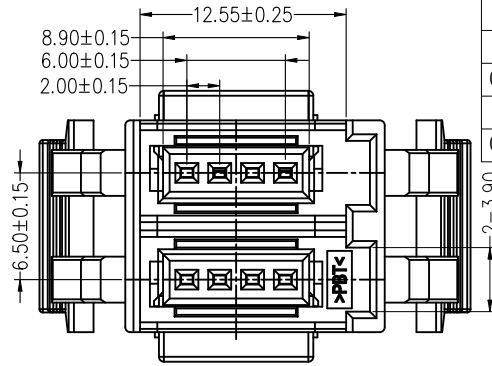
Packing
T=Tube
R=Tape&Reel
A=Tray
O=PE Bag

Terminal Plating
S0=Gold Flash/Tin
S1=3u"Gold/Tin
S2=5u"Gold/Tin
S3=10u"Gold/Tin
S4=15u"Gold/Tin

Cover Color
U12=Blue
G16=Gray
E10=Green
O12=Orange
R08=Red

LOGO
NA
W=With WCON LOGO
M=Customer'S LOGO

Wire OD	1.6~2.0	1.2~1.6	1.0~1.2	0.80~1.0
Wire Size	20-22AWG	20-22AWG	20-22AWG	
Cover Color	Gray	Blue	Green	
Wire Size		24-26AWG	24-26AWG	24-26AWG
Cover Color		Orange	Yellow	Red



scale:0.5:1

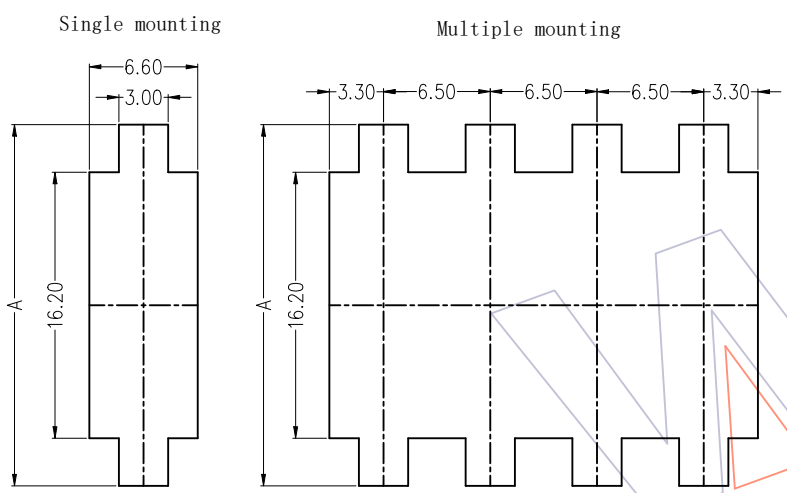
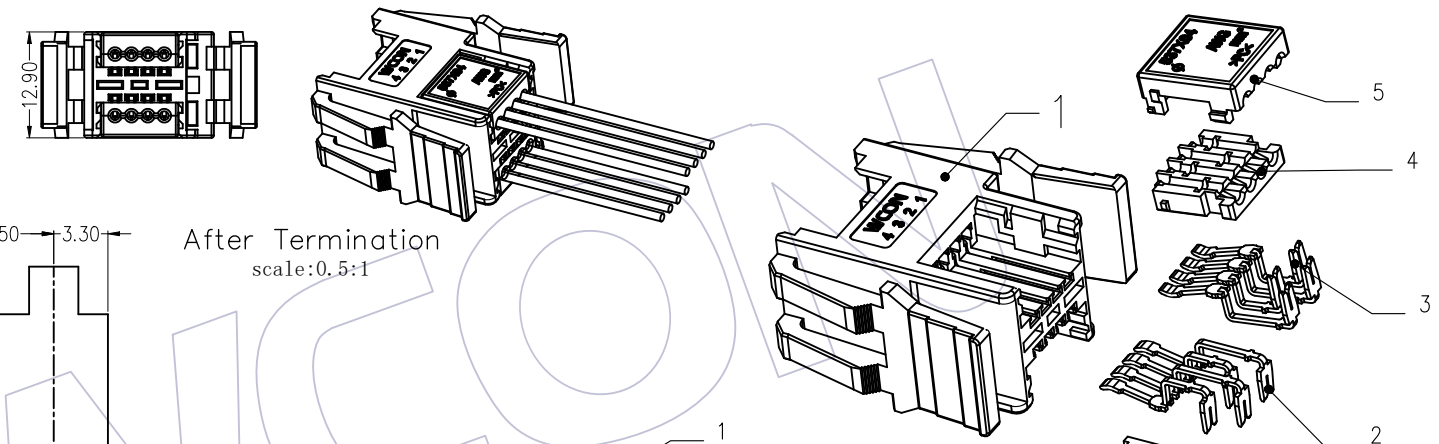
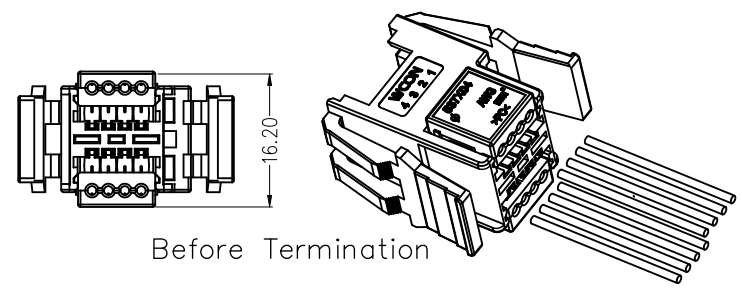
REV	DATE	MODIFICATION DESCRIPTION	CHANGE	OPERATION	DRAW	DATE	SCALE	FIT	PART NO.
				X. X ±0.40	Kair	2020/12/01	UNIT mm		5373-204SXXXXWX01X
				X. XX ±0.25	CHECK	DATE	SIZE A4		TITLE:
				X. XXX ±0.15	APPROVE	DATE	SHEET 1/2		2.0mm Mini Clamp Socket 8p With latch
				Angle ± 3°			PROJ.		Customer NO.
				DIM TOL					

WCON

Http: www.wcon.com

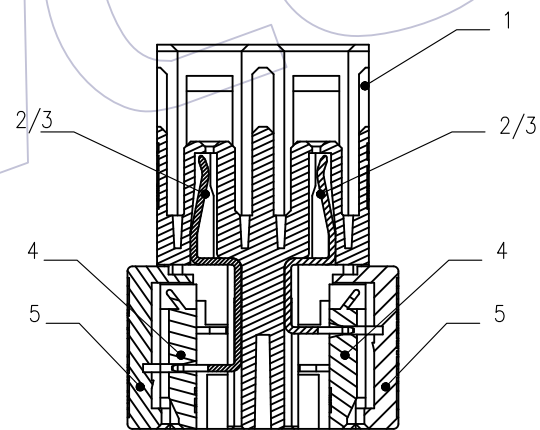
WCON-Dongguan Tel: +86 769 85358920 Fax: +86 769 85358915 E-mail: sales@wcon.com
 WCON-Kunshan Tel: +86 512 57468408 Fax: +86 512 57468468 E-mail: salesks@wcon.com

HSF



Panel Cutouts

Panel Thicknes	Dimension A
t=1.0 & 1.2mm	22.0
t=1.4 & 1.6mm	22.4



5	TOP Cover	G5371-104TXN0X	PC	2
4	Bottom Cover	G5371-104BWN0X	PA66	2
3	Short Contact	T5373-PXXSXX	C5191R-H	4
2	Long Contact	T5373-PXXLXX	C5191R-H	4
1	Housing	G5373-204ABW01X	PBT	1
No.	Part Name	Part No.	Material	Q'TY

REV	DATE	MODIFICATION DESCRIPTION	CHANGE	OPERATION	DRAW	DATE	SCALE	FIT	PART NO.
A0	2020/12/01	NEW	Kair	X.X ±0.40	Kair	2020/12/01	UNIT	mm	5373-204SXXXWX01X
				X.XX ±0.25	CHECK	DATE	inch		
				X.XXX ±0.15			SIZE	A4	TITLE: 2.0mm Mini Clamp Socket 8p With latch
				Angle ± 3°	APPROVE	DATE	SHEET	2/2	
				DIM TOL			PROJ.	⌀	Customer NO.

WCON

Http: www.wcon.com

WCON-Dongguan
Tel: +86 769 85358920
Fax: +86 769 85358915
E-mail: sales@wcon.com

WCON-Kunshan
Tel: +86 512 57468408
Fax: +86 512 57468468
E-mail: salesks@wcon.com