

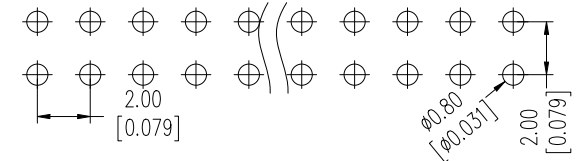
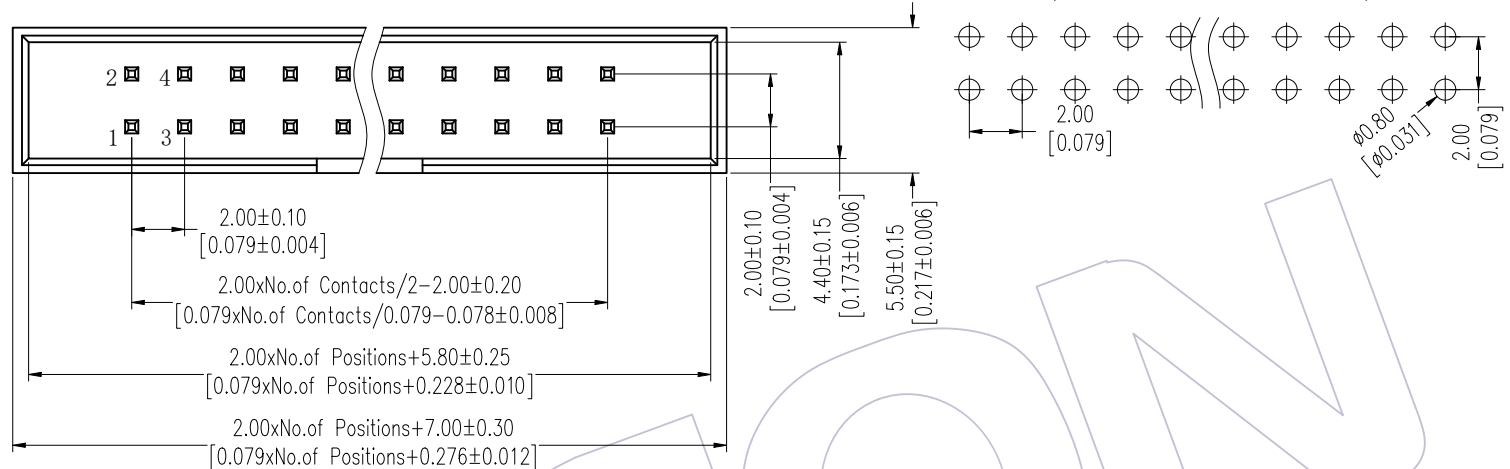
HSF

NOTES:

Current Rating: 1.5AMP
 Contact Resistance: 20mΩ max
 Withstand Voltage: 500V AC/DC
 Insulation Resistance: 1000MΩ min
 Operation Temperature: -40°C to +105°C

Contact Material: Brass
 Contact plating: Au or Sn Over Ni
 Insulator Material: PA9T GF(UL94V-0)

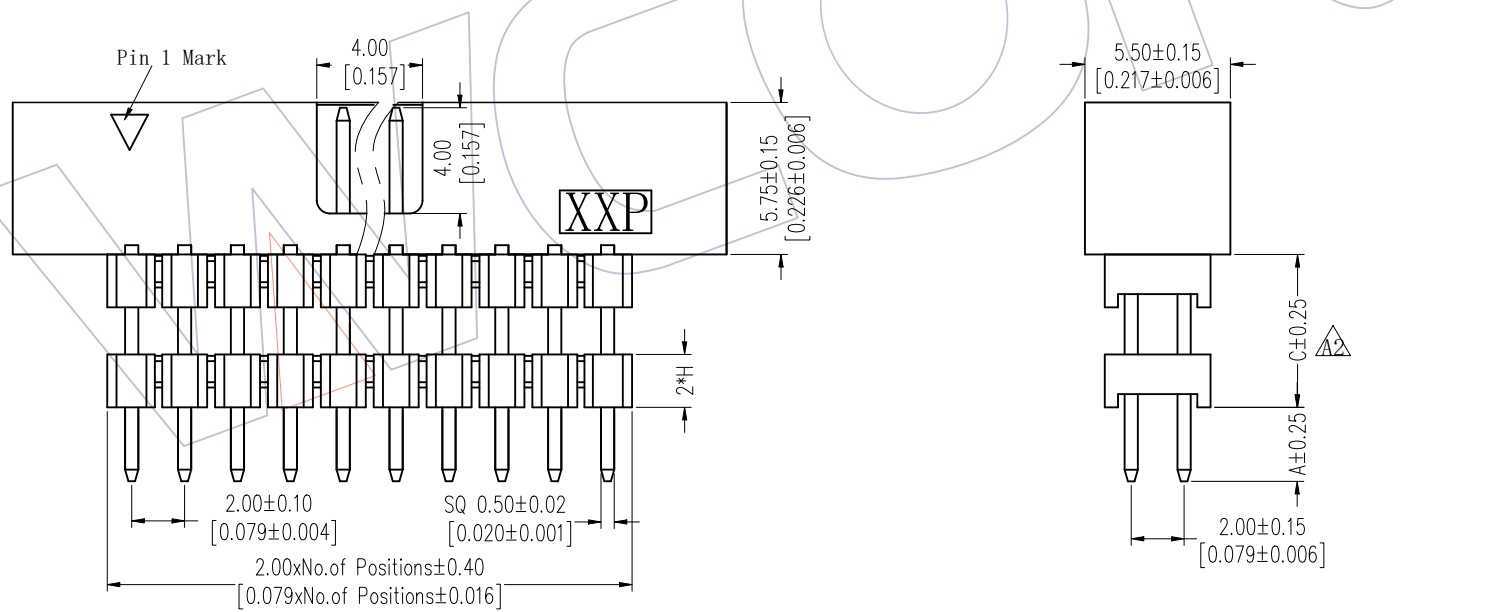
Recommended P.C.B Layout(Top Side)
 (PCB BOARD TOLERANCE±0.05)



Ordering Information

3111-XX S XX B D00 X X

No. of Pins	Contact Plating	Color Insulator	Packing	Series No
10 30	G0=Gold Flash	B=Black	T=Tube	
14 34	G3=10u"Gold			
16 40	G4=15u"Gold			
20 44	G5=30u"Gold			
24 50	S0=Gold Flash/Tin			
26 60	S3=10u"Gold/Tin			
	S4=15u"Gold/Tin			
	S5=30u"Gold/Tin			
	SN=Tin			



Item	A	C	H	Mating
Standard	2.80		1.50 2.00	5222 5224 5225
Alternate				

REV	DATE	MODIFICATION DESCRIPTION	CHANGE	OPERATION	DRAW	DATE	SCALE	FIT	PART NO.
A3	2020/09/23	Add Housing	DuYing	OPERATION	DuYing	2020/09/23	SCALE	FIT	3111-XXSXXBD00XX
A2	2018/12/07	修改C尺寸	Ding	x.x ±0.40	CHECK	DATE	UNIT	mm	TITLE: 2.0 BOX HEADER 180° H=5.7 ADD HOUSING
A1	2016/11/29	增加塑胶高度规格		x.xx ±0.25	APPROVE	DATE	SIZE	A4	
A0	2012/05/31	NEW		x.xxx ±0.15			SHEET	1/1	Customer NO.
				Angle ± 3°			PROJ.		

WCON
 Http: www.wcon.com

WCON-Dongguan WCON-Kunshan
 Tel: +86 769 85358920 Tel: +86 512 57468408
 Fax: +86 769 85358915 Fax: +86 512 57468468
 E-mail: sales@wcon.com E-mail: salesks@wcon.com