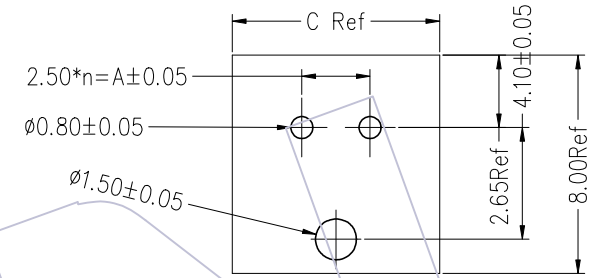
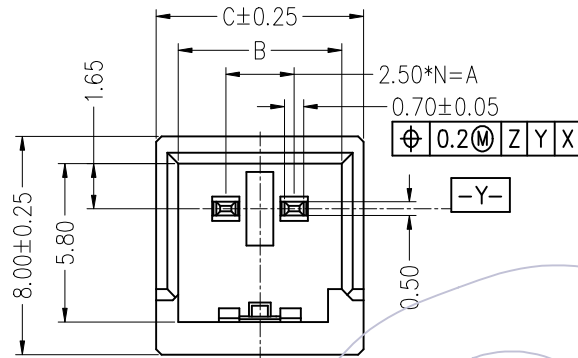


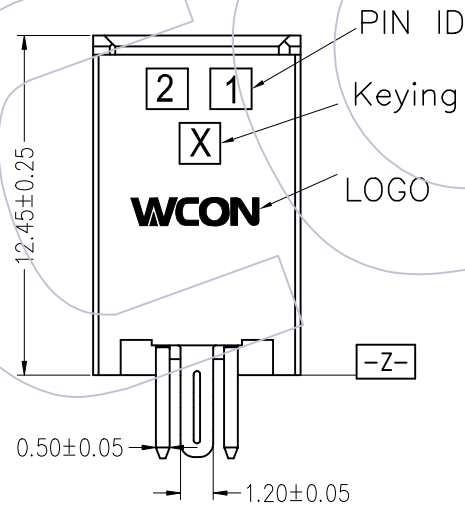
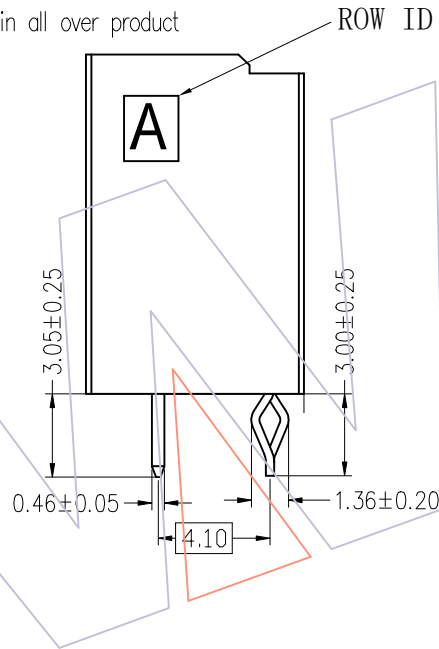
HSF

NOTES:
 Current Rating:5A
 Voltage Rating:250V/AC
 Contact Resistance:20mΩ Max.
 Withstand Voltage:1500V AC
 Insulation Resistance:100MΩ Min.
 Operation Temperature:-40°C to +125°C

Insulator Material:LCP,UL94V0,BLACK
 Contact Material:Copper Alloy
 Contact plating:
 Gold plated 0.38um Min in lacated area over Nickel
 Tin plated 2.0um Min in all over product



Recommended P.C.B Layout (Top Side)
 (PCB BOARD THICKNESS 1.0~1.6±0.05)



Ordering Information

WD 250 0 - 1 WS 02 XX B T 01 W

Pitch Code: 250= 2.50mm
 Type Code: 0= Series
 Bay number: 1=1Row
 Type : WS= 180° DIP
 Pin NO: 02=2PIN
 Contact Plating: W4=Sel. 15U" Au /Matte Sn
 SN=Sn plated

Wcon Logo:
 W= Whit LOGO
 Blank: without logo
 01= X Fool-proofing
 Packing:
 T=TuBe
 Housing Colour
 B=Black

WD2500-1WS02XXBT01(W)	2	X	1	2.5	6.0	7.6
P/N	PIN	KEY	n	A	B	C

A2	2023/09/20	Updated content	KEVIN	OPERATION	DRAW	DATE	SCALE	Fit	PART NO.
A1	2023/08/02	Increase pcb thickness size recommendation	KEVIN	x.x ±0.40	KEVIN_XIN	2023/08/02	UNIT	mm	WD2500-1WS02XXBT01(W)
A0	2023/07/17	Official version	KEVIN	x.xx ±0.25	CHECK	DATE	SIZE	A4	TITLE:
1	2022/01/20	New	KEVIN	x.xxx ±0.15	APPROVE	DATE	SHEET	1/1	2.5*3.3mm Dyn. Single row 180° DIP WITCH Ground strip
REV	DATE	MODIFICATION DESCRIPTION	CHANGE	Angle ± 3° DIM TOL			PROJ.	⊕	Customer NO.

WCON

Http: www.wcon.com

WCON-Dongguan
 Tel: +86 769 85358920
 Fax: +86 769 85358915
 E-mail: sales@wcon.com

WCON-Kunshan
 Tel: +86 512 57468408
 Fax: +86 512 57468468
 E-mail: salesks@wcon.com