

HSF

NOTES:
 Current Rating:5A
 Voltage Rating:250V/AC
 Contact Resistance:20mΩ Max.
 Withstand Voltage:1500V AC
 Insulation Resistance:100MΩ Min.
 Operation Temperature:-40°C to +125°C

Insulator Material:LCP,UL94V0,BLACK
 Contact Material:Copper Alloy
 Contact plating:
 Gold plated 0.38um Min in located area over Nickel
 Tin plated 2.0um Min in all over product

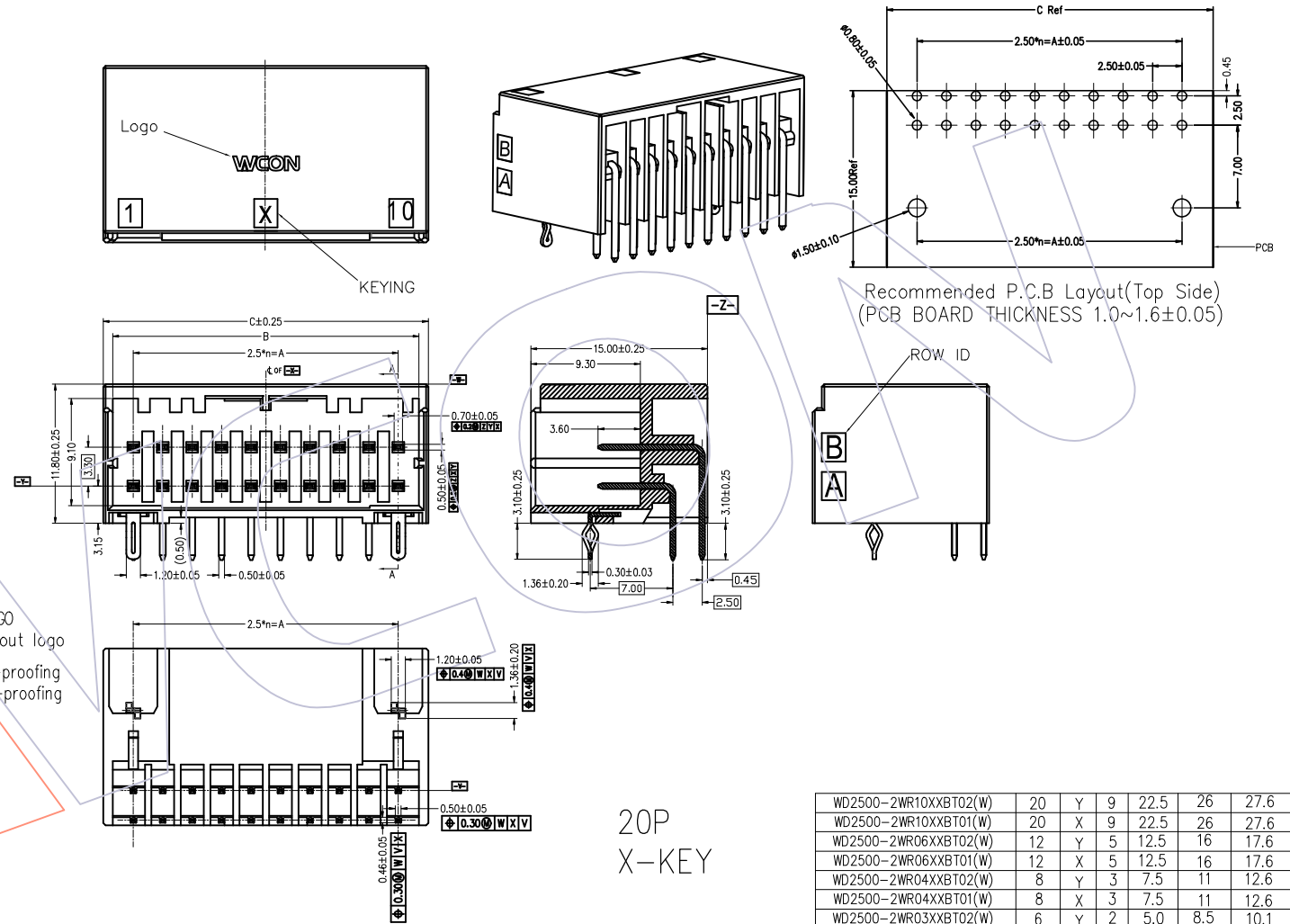
Ordering Information

WD 250 0-2 WR XX XX B T XX W

Pitch Code:
 250= 2.50mm
 Type Code:
 0= Series
 Bay number:
 2=2 Row
 Type :
 WR= 90° DIP
 Pin NO;
 02=2PIN 03=3Pin 04=4Pin
 06=6PIN 10=10Pin

Wcon Logo:
 W= With LOGO
 Blank: without logo
 01= X Fool-proofing
 02= Y Fool-proofing
 Packing:
 T=TuBe
 Housing Colour
 B=Black
 T=Natural
 Y=Yellow
 R=Red

Contact Plating:
 W4=Sel.15U Au/Matte Sn
 SN=Sn plated



P/N	PIN	KEY	n	A	B	C
WD2500-2WR10XXBT02(W)	20	Y	9	22.5	26	27.6
WD2500-2WR10XXBT01(W)	20	X	9	22.5	26	27.6
WD2500-2WR06XXBT02(W)	12	Y	5	12.5	16	17.6
WD2500-2WR06XXBT01(W)	12	X	5	12.5	16	17.6
WD2500-2WR04XXBT02(W)	8	Y	3	7.5	11	12.6
WD2500-2WR04XXBT01(W)	8	X	3	7.5	11	12.6
WD2500-2WR03XXBT02(W)	6	Y	2	5.0	8.5	10.1
WD2500-2WR03XXBT01(W)	6	X	2	5.0	8.5	10.1
WD2500-2WR02XXBT02(W)	4	Y	1	2.5	6.0	7.6
WD2500-2WR02XXBT01(W)	4	X	1	2.5	6.0	7.6

REV	DATE	MODIFICATION DESCRIPTION	CHANGE	OPERATION	DRAW	DATE	SCALE	Fit	PART NO.
A2	2023/08/14	Increase Y Keying		x.x ±0.40	KEVIN_XIN	2023/08/14	UNIT	mm	WD2500-2WRXXXXBTXX (W)
A1	2023/08/02	Increase pcb thickness size recommendation	KEVIN	x.xx ±0.25	CHECK	DATE	SIZE	A4	TITLE: 2.5*3.3mm Dyn. Dual row 90° DIP With Ground strip
A0	2022/01/10	NEW	KEVIN	x.xxx ±0.15	APPROVE	DATE	SHEET	1/3	Customer NO.
				Angle ± 3°			PROJ.		
				DIM TOL					

WCON
 Http: www.wcon.com

WCON-Dongguan
 Tel: +86 769 85358920
 Fax: +86 769 85358915
 E-mail: sales@wcon.com

WCON-Kunshan
 Tel: +86 512 57468408
 Fax: +86 512 57468468
 E-mail: salesks@wcon.com