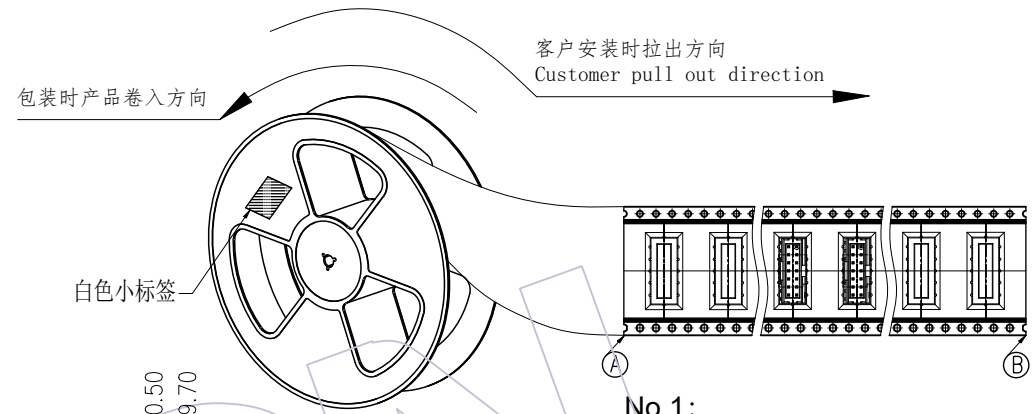
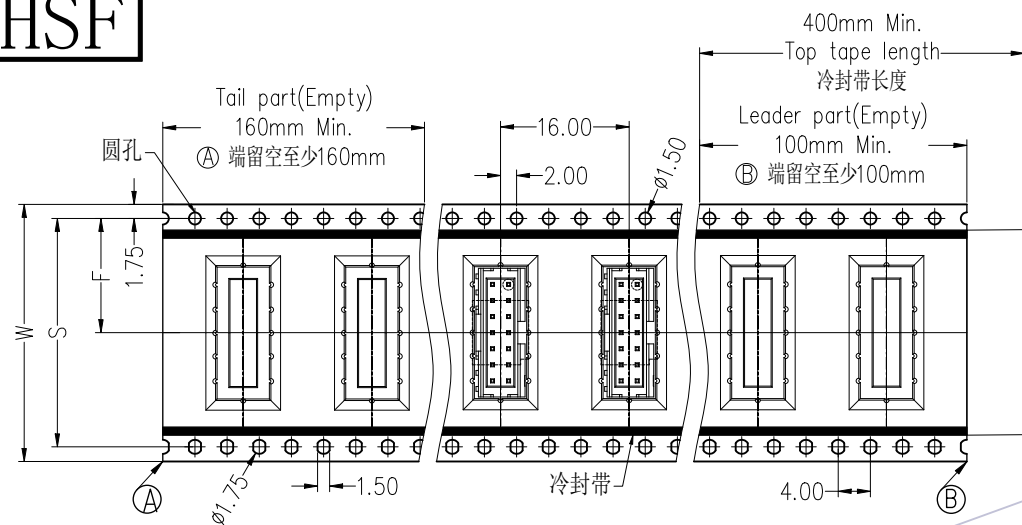
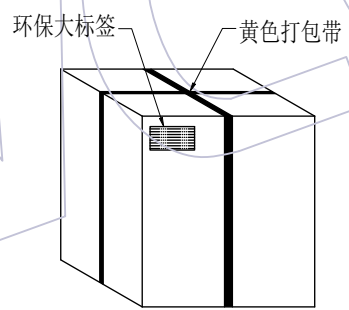


HSF



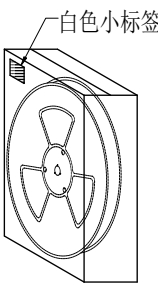
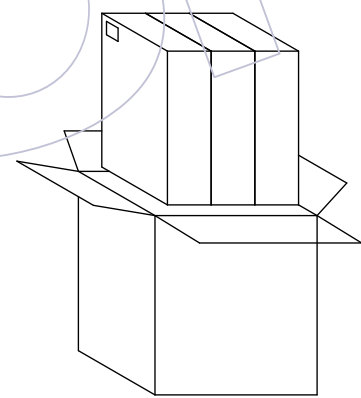
No.1:
产品包装前,注意载带要留空160mm以上
将产品放入载带凹槽后,用盖带封装,
注意:盖带与承载带的拉力30g-120g

PIN	载带料号	W	S	F	PCS/Reel	PCS/内箱	PCS/外箱
4	TR3122B-MN004S08901	24.0±0.30	\	11.50±0.15	420	1260	3780
6	TR3122B-MN006S08901	24.0±0.30	\	11.50±0.15	420	1260	3780
8	TR3122B-MN008S08901	24.0±0.30	\	11.50±0.15	420	1260	3780
10	TR3122B-MN010S08901	24.0±0.30	\	11.50±0.15	420	1260	3780
12	TR3122B-MN012S08901	32.0±0.30	28.40±0.15	14.20±0.15	420	840	2520
14	TR3122B-MN014S08901	32.0±0.30	28.40±0.15	14.20±0.15	420	840	2520
16	TR3122B-MN016S08901	44.0±0.30	40.40±0.15	20.20±0.15	420	840	2520
18	TR3122B-MN018S08901	44.0±0.30	40.40±0.15	20.20±0.15	420	840	2520
20	TR3122B-MN020S08901	44.0±0.30	40.40±0.15	20.20±0.15	420	840	2520
22	TR3122B-MN022S08901	44.0±0.30	40.40±0.15	20.20±0.15	420	840	2520
24	TR3122B-MN024S08901	44.0±0.30	40.40±0.15	20.20±0.15	420	840	2520
26	TR3122B-MN026S08901	44.0±0.30	40.40±0.15	20.20±0.15	420	840	2520
28	TR3122B-MN028S08901	56.0±0.30	52.40±0.15	26.20±0.15	420	420	1260
30	TR3122B-MN030S08901	56.0±0.30	52.40±0.15	26.20±0.15	420	420	1260
32	TR3122B-MN032S08901	56.0±0.30	52.40±0.15	26.20±0.15	420	420	1260
34	TR3122B-MN034S08901	56.0±0.30	52.40±0.15	26.20±0.15	420	420	1260
36	TR3122B-MN036S08901	56.0±0.30	52.40±0.15	26.20±0.15	420	420	1260
38	TR3122B-MN038S08901	56.0±0.30	52.40±0.15	26.20±0.15	420	420	1260
40	TR3122B-MN040S08901	72.0±0.30	68.40±0.15	34.20±0.15	420	420	1260
42	TR3122B-MN042S08901	72.0±0.30	68.40±0.15	34.20±0.15	420	420	1260
44	TR3122B-MN044S08901	72.0±0.30	68.40±0.15	34.20±0.15	420	420	1260
46	TR3122B-MN046S08901	72.0±0.30	68.40±0.15	34.20±0.15	420	420	1260
48	TR3122B-MN048S08901	72.0±0.30	68.40±0.15	34.20±0.15	420	420	1260
50	TR3122B-MN050S08901	72.0±0.30	68.40±0.15	34.20±0.15	420	420	1260



外箱: CTN-18K

No.4:
封箱, 打包, 贴标签。



内箱: CTN-18E

No.3:
将内箱装入外箱
(3内箱/外箱)
注意统一标签方向

No.2:
将卷盘套上PE-32防水袋,
放入1包干燥剂,
真空机封口后装入内箱,
用封箱胶封装好,并贴上标签。

变更
记录

版次 REV	日期 DATE	变更说明 MODIFICATION DESCRIPTION	变更 CHANGE	核准 APPROVE
A0	2022/06/09	NEW	-----	-----

工程图 ENGINEERING	绘图 DRAW	蔡欢	2022/06/09	SCALE	FIT
X.X ±0.30	设计 DESIGN			UNIT	mm
X.XX ±0.20	审核 CHECK			SIZE	A4
X.XXX ±0.10	核准 APPROVE			SHEET	1/1
Angle ± 2'				PROJ.	☉
DIM TOL					

料号 PART NO.		WCON ELECTRONICS (GUANGDONG) CO., LTD	
		3122B-XXSXXXK0ORX	
品名 TITLE:		2.0mm Box Header S/T DIP H=5.90mm F型,带锁扣 包装规范	

WCON