

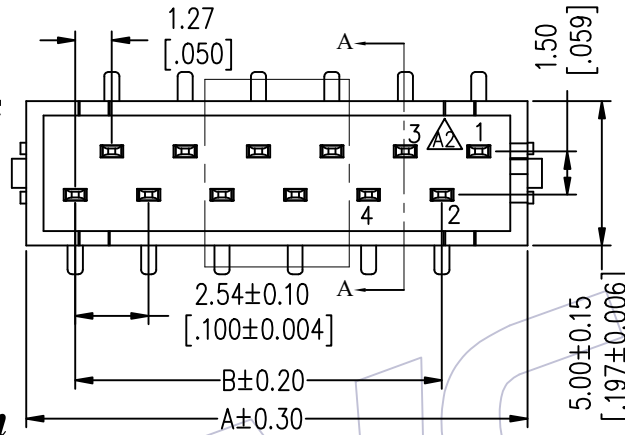
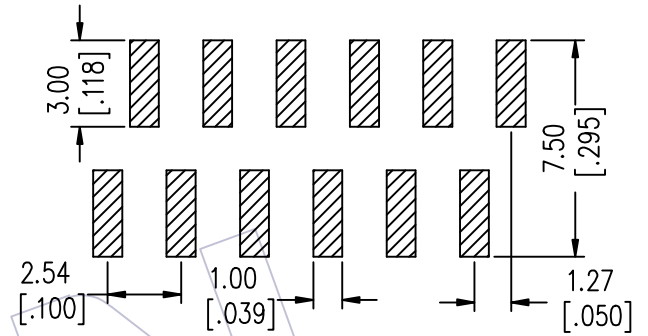
HSF

NOTES:

Current Rating: 1.0AMP
 Contact Resistance: 20mΩ Max
 Withstand Voltage: 500V AC/DC
 Insulation Resistance: 1000MΩ Min
 Operation Temperature: -40°C to +105°C

Contact Material: Phosphor Bronze
 Contact plating: Sn over Ni
 Insulator Material: PA46+30%G.F UL94V-0

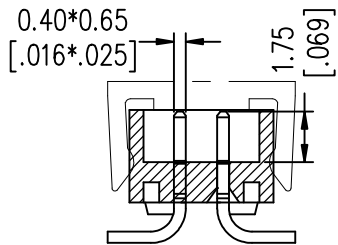
Recommended P.C.B Layout(Top Side)
 (PCB BOARD TOLERANCE±0.05)



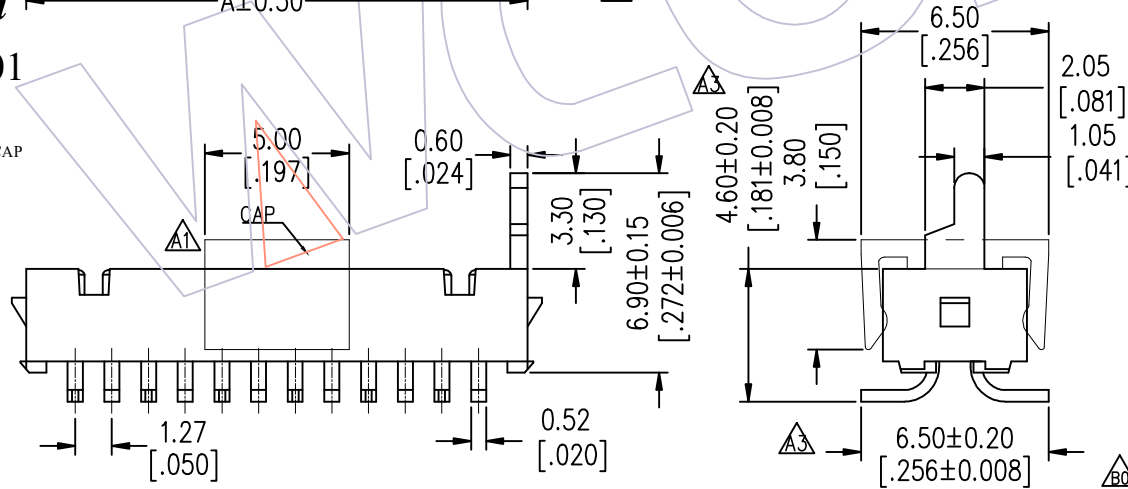
Ordering Information

3900 -XX MM XX E N R 01

No. of pins: 04P 12P, 06P 14P, 08P 16P, 10P 18P, 20P
 Contact Plating: SN= Tin
 Material: E=PA46
 Packing: R=Reel+CAP



SECTION A-A



Dimensional & Ordering Information

Circuit	Part No.	Dimension	
		A	B
04	3900-04MMSNENR01	7.20	2.54
06	3900-06MMSNENR01	9.74	5.08
08	3900-08MMSNENR01	12.28	7.62
10	3900-10MMSNENR01	14.82	10.16
12	3900-12MMSNENR01	17.36	12.70
14	3900-14MMSNENR01	19.90	15.24
16	3900-16MMSNENR01	22.44	17.78
18	3900-18MMSNENR01	24.98	20.32
20	3900-20MMSNENR01	27.52	22.86
22	3900-22MMSNENR01	30.06	25.40
24	3900-24MMSNENR01	32.60	27.94
26	3900-26MMSNENR01	35.14	30.48

REV	DATE	MODIFICATION DESCRIPTION	CHANGE	OPERATION	DRAW	DATE	SCALE	FIT	PART NO.
B0	2022/01/21	Add 22,24,26PIN	△B0	DuYing	DuYing	2022/01/21	UNIT	mm	SEE TAB
A5	2018/05/15	MINI MATCH--1.27mm MRC Connector		Ding	DuYing	2022/01/21	SIZE	A4	TITLE: 1.27mm MRC Connector Box Header SMT
A4	2014/05/28	Micro Match---Mini Match			CHECK	DATE	SHEET	1/1	Customer NO.
A1	2013/10/23	Instead the CAP			APPROVE	DATE	PROJ.		

WCON
 Http: www.wcon.com

WCON-Dongguan
 Tel: +86 769 85358920
 Fax: +86 769 85358915
 E-mail: sales@wcon.com

WCON-Kunshan
 Tel: +86 512 57468408
 Fax: +86 512 57468468
 E-mail: salesks@wcon.com