

HSF

NOTES:
 Current Rating: 3.0AMP
 Contact Resistance: 20mΩ Max
 Withstand Voltage: 1000V AC/DC
 Insulation Resistance: 1000MΩ Min
 Operation Temperature: -40°C to +105°C

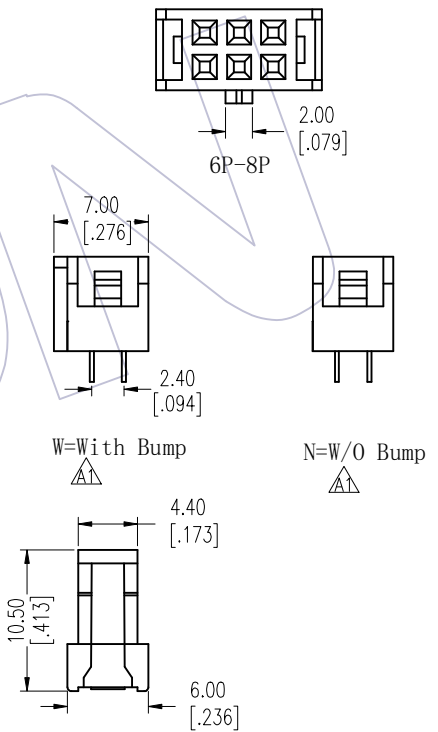
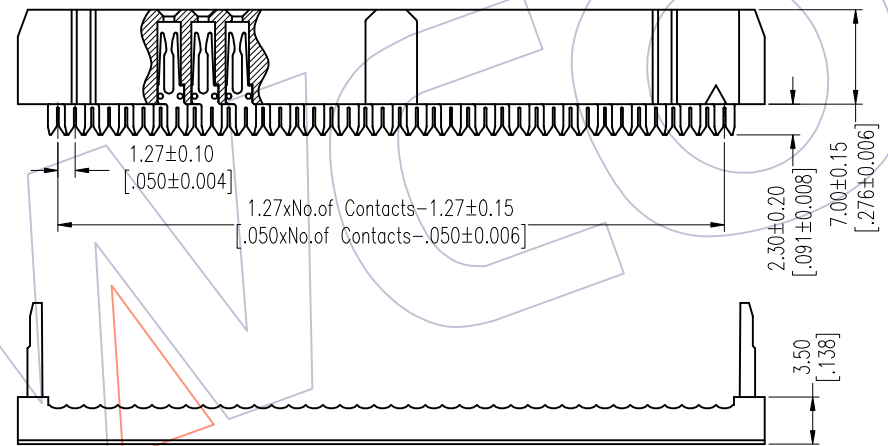
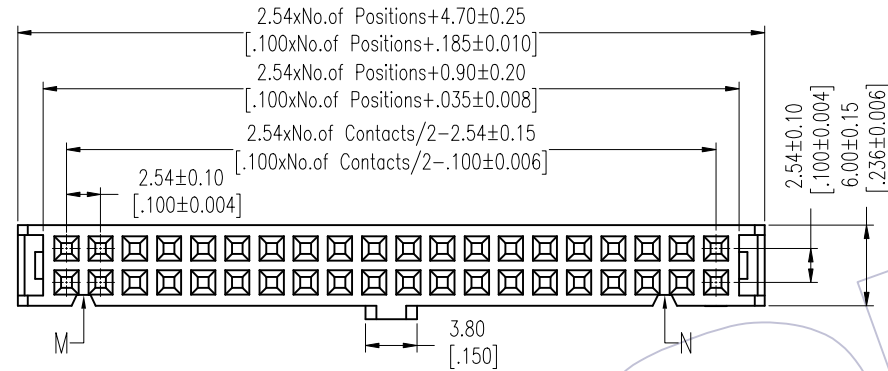
Contact Material: Phosphor Bronze Or Brass
 Contact plating: Au Or Sn over Ni
 Insulator Material: PBT+30%G.F UL94V-0

6P Without Slot "M" and "N"
 8P-12P With Slot "M", Without Slot "N"
 14P-64P With Slot "M" and "N"

Ordering Information

5211-XX D B XX B X 0 1

| | | | | | |
|----------------------|---|--|---|--|-----------------------------------|
| Two Parts Conn+Cover | No. of Pins 06P 26P 08P 30P 10P 34P 12P 36P 14P 40P 16P 44P 18P 50P 20P 60P 22P 64P 24P | Contact Material B=Brass P=Phosphor Bronze | Contact Plating S0=Gold Flash/Ni S3=10u"Gold/Ni S4=15u"Gold/Ni S5=30u"Gold/Ni SN=Tin | Color Insulator B=Black G=Grey(427C) | Bump N=W/O Bump W=With Bump |
|----------------------|---|--|---|--|-----------------------------------|



| Item | Pitch | Mating |
|-----------|-------|-----------|
| Standard | 2.54 | 3110/3210 |
| Alternate | | |

| REV | DATE | MODIFICATION DESCRIPTION | CHANGE | OPERATION | DRAW | DATE | SCALE | FIT | PART NO. |
|-----|------------|--------------------------|---------|-------------|---------|------------|-------|-----|--|
| A2 | 2022/05/19 | Modify TITLE | DuYing | x.x ±0.40 | DuYing | 2022/05/19 | UNIT | mm | 5211-XXDBXXBX01 |
| A1 | 2012/12/21 | MODIFY | JYHuang | x.xx ±0.25 | CHECK | DATE | SIZE | A4 | TITLE: 2.54 IDC SOCKET (BOTH SIDE CONTACT) |
| A0 | 2012/10/11 | NEW | ----- | x.xxx ±0.15 | APPROVE | DATE | SHEET | 1/2 | Customer NO. |
| | | | | Angle ± 3' | | | PROJ. | | |
| | | | | DIM TOL | | | | | |

WCON
 Http: www.wcon.com
 WCON-Dongguan Tel: +86 769 85358920
 WCON-Kunshan Tel: +86 512 57468408
 Fax: +86 769 85358915
 Fax: +86 512 57468468
 E-mail: sales@wcon.com
 E-mail: salesks@wcon.com