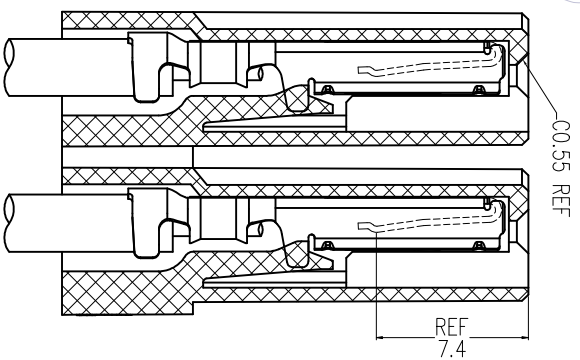
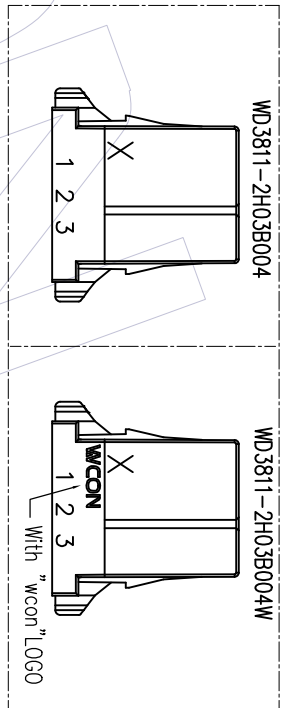
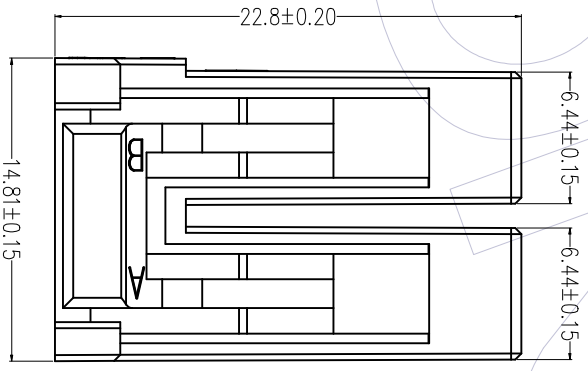
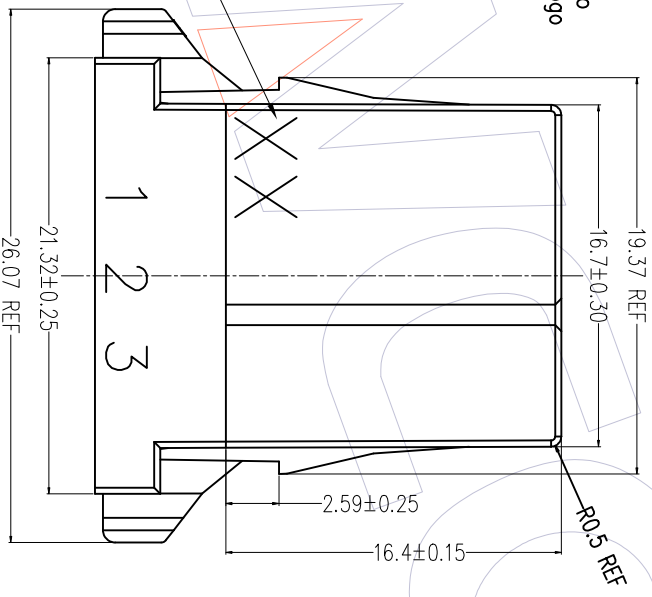
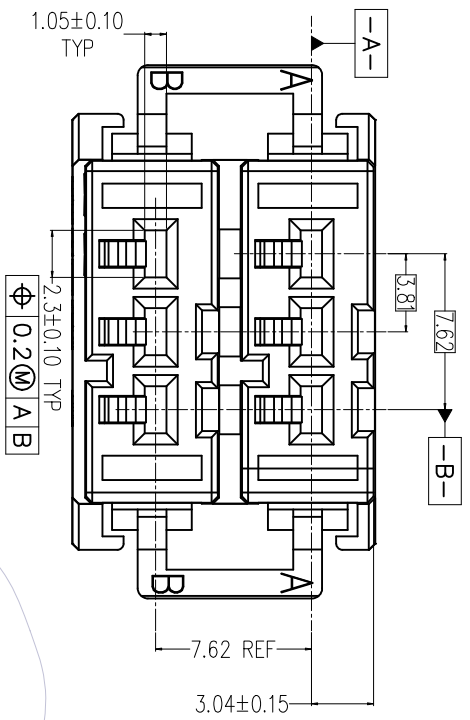
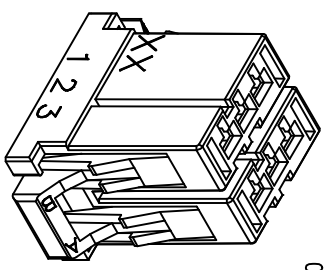




NOTES:  
 Rated Voltage: 250V.  
 Withstand Voltage: 1500V AC  
 Insulation Resistance: 1000MΩ Min.  
 Operation Temperature: -55°C to +105°C  
 Material: PBT+G.F. UL94V-0,Black  
 Mating Terminal: WD3810-3TID3XXXXXX

### Ordering Information

WD3811 -2 H 03 B 0 XX X  
 Row: 2=Dual  
 Receptacle Housing  
 No of Pins Per Row: 03=3Pin  
 Housing Color: B=Black  
 Packing 0=PE Bog  
 Foolproof Type:  
 04=XX  
 05=YY  
 06=XY  
 W="Wcon" logo  
 M=Customer logo  
 Blank=Without logo



PartNo	WD3811-2H03B004X	WD3811-2H03B005X	WD3811-2H03B006X
Code	XX	YY	XY
Fool-proofing diagram			

OPERATION	DRAW	DATE	SCALE	Fit	PART NO	<b>WCON</b> Http: www.wcon.com WCON-Dongguan Tel: +86 769 85358920 Fax: +86 769 85358915 E-mail: sales@wcon.com WCON-Kunshan Tel: +86 512 57468408 Fax: +86 512 57468468 E-mail: sales@wcon.com
XX	OHJ	2021.06.23	mm	1/1	WD3811-2H03B0XXXX	
XX	CHECK	DATE	SIZE	A4	TITLE:	
X.XXX	±0.25		±0.15	1/1	3.81*7.62mm Dyn. Housing	
X.XXX	±0.15		±0.15	1/1	(T Type),Dual Row	
Angle	± 3°	APPROVE	PROJ.		Customer NO.	
REV	DATE	MODIFICATION DESCRIPTION	CHANGE	DIM	TOL	
A0	2021.06.23	NEW				