

# HSF

NOTES:  
 Rated Current:1.0AMP  
 Contact Resistance:30mΩ max  
 Withstand Voltage:100V AC/DC  
 Insulation Resistance:500MΩ min  
 Operation Temperature:-40°C to +105°C

Contact Material:Phosphor Bronze  
 Contact Plating:Au Over Ni  
 Insulator Material:PBT+30%G.F UL94V-0

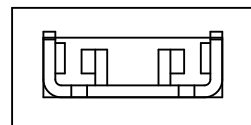
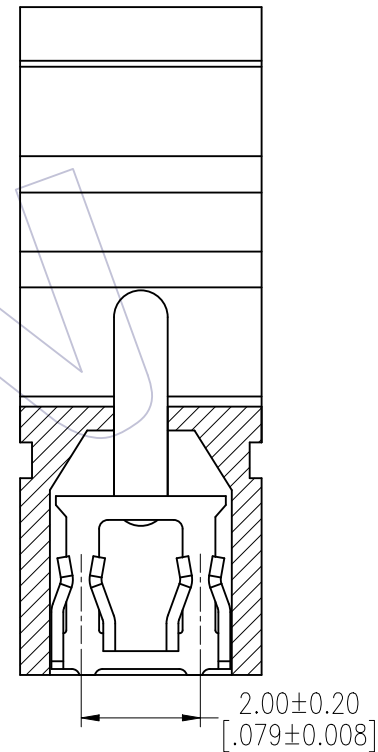
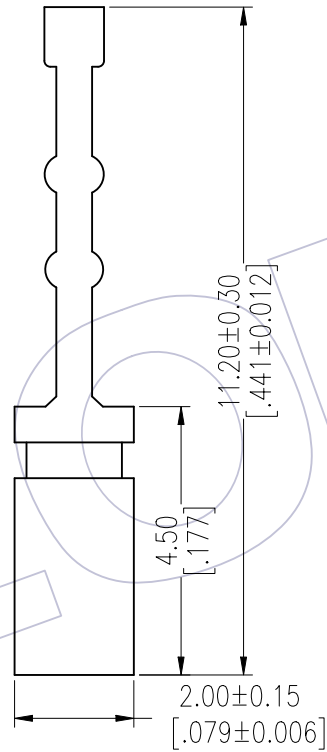
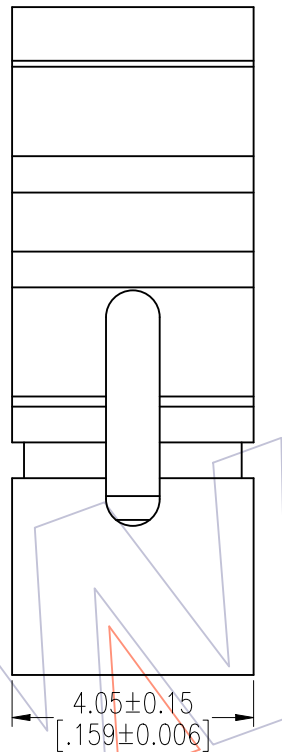
## Ordering Information

3731-11 01 O XX X 0 1

Housing shape  
O=Open

Contact Plating  
S0=Gold Flash/Ni

Colour  
B=Black (Std)  
R=Red  
U=Blue  
N=Green  
Y=Yellow



				OPERATION	DRAW	DATE	SCALE	FIT	PART NO.
				x.x ±0.40	JYHuang	2012/12/10	UNIT	mm	3731-11010XXX01
				x.xx ±0.25	CHECK	DATE	SIZE	A4	TITLE:
				x.xxx ±0.15	APPROVE	DATE	SHEET	1/1	2.00mm Mini Jumper Body Lengthen H=11.2 Open Type
A0	2012/12/10	NEW	-----	Angle ± 3'			PROJ.	⌀	Customer NO.
REV	DATE	MODIFICATION DESCRIPTION	CHANGE	DIM TOL					

# WCON

Http: www.wcon.com

WCON-Dongguan  
Tel: +86 769 85358920  
Fax: +86 769 85358915  
E-mail: sales@wcon.com

WCON-Kunshan  
Tel: +86 512 57468408  
Fax: +86 512 57468468  
E-mail: salesks@wcon.com