

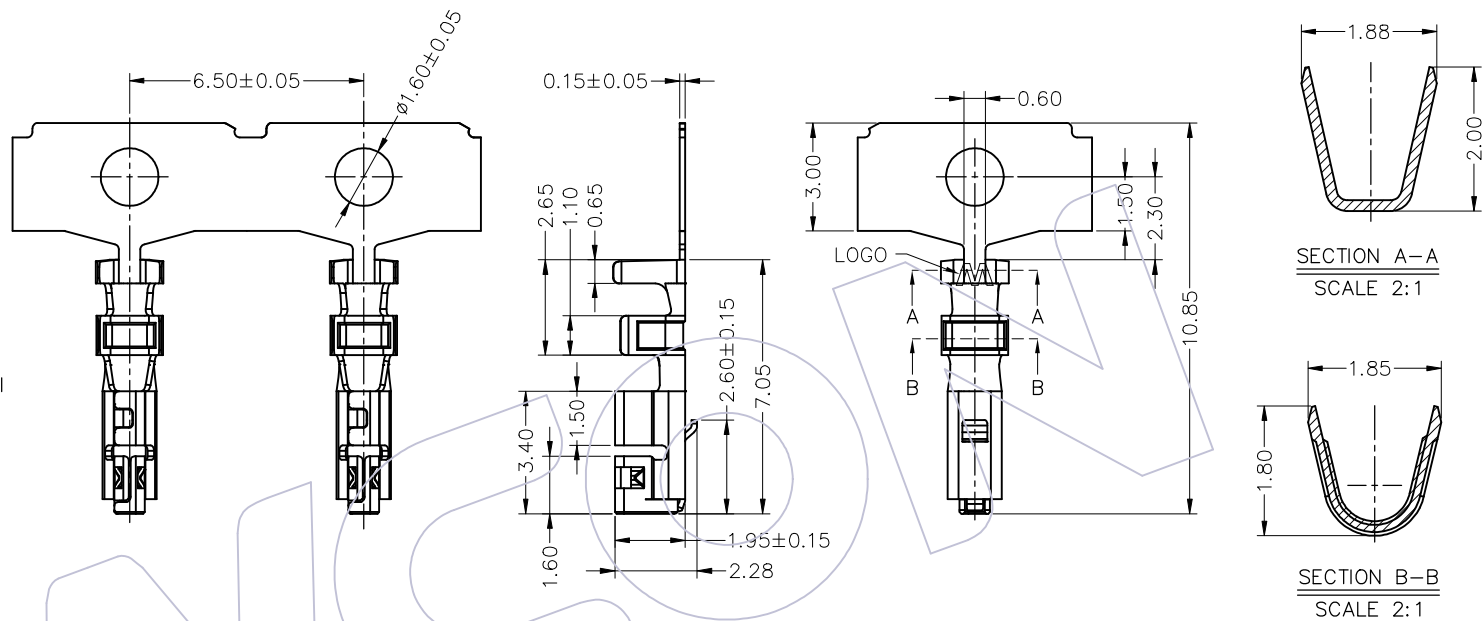
HSF

NOTE:
 Rated Current: 3.0A
 Rated Voltage: 125 V AC(RMS)/DC;
 Contact Resistance: 20mΩ Max;
 Applicable Wire: AVSS 0.30mm², AWG#22,
 Temperature Range: -40°C ~ +125°C

Terminal Material: Copper alloy
 Terminal Plating: 50u" Bright Tin 30u" Over Nickel
 Used for : WF2012-1HXXX02W

Ordering Information

WF2012- I P SN 02
 T=Terminal
 Material:
 P=Phosphor bronze
 Contact plating:
 SN=Bright Tin

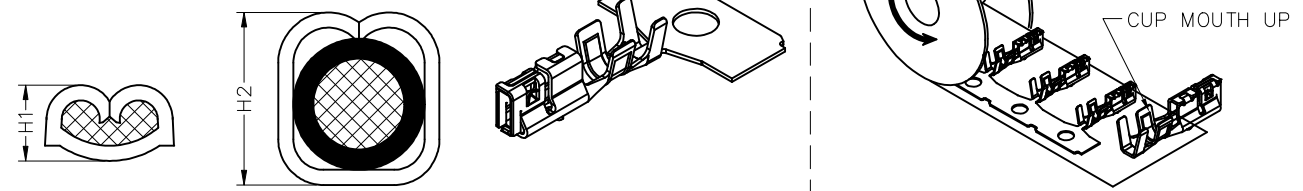


SECTION A-A
SCALE 2:1

SECTION B-B
SCALE 2:1

AFTER CRIMPING THE WIRE, THE CRIMPED AREAS SHOULD BE AS FOLLOWS

WIRE SIZE	CONDUCTOR CRIMP HEIGHT(H1)	INSULATION HEIGHT(H2)
AVSS 0.30mm ²	0.73~0.78	1.50±0.05
UL 1061 22AWG	0.75~0.80	1.58±0.05



REV	DATE	MODIFICATION DESCRIPTION	CHANGE	OPERATION		DRAW	DATE	SCALE	FIT	PART NO.	TITLE:	WCON	
				x.X	±0.40							UNIT	mm
0	2022/10/27	NEW		x.XX	±0.25	XueLei	2022/10/21		A4	WF2012-TPSN02	2.00mm Housing Terminal M Type, Crimp Type (ISL Type)	WCON-Dongguan	WCON-Kunshan
				x.XXX	±0.15				1/1		Customer NO.	Tel: +86 769 85358920	Tel: +86 512 57468408
				Angle	± 3'	APPROVE						Fax: +86 769 85358915	Fax: +86 512 57468468
				DIM	TOL							E-mail: sales@wcon.com	E-mail: sales@wcon.com