

# HSF

**HOUSING MATERIAL:**

Micro Insulator Material:PBT+30%G.F UL94V-0

Micro Contact Material:Phosphor Bronze

Micro Contact plating:Sn Over Ni

**CABLE MATERIAL:**

Insulator:UL 2651,Grey

Conductor:28AWG(7/0.12mm)

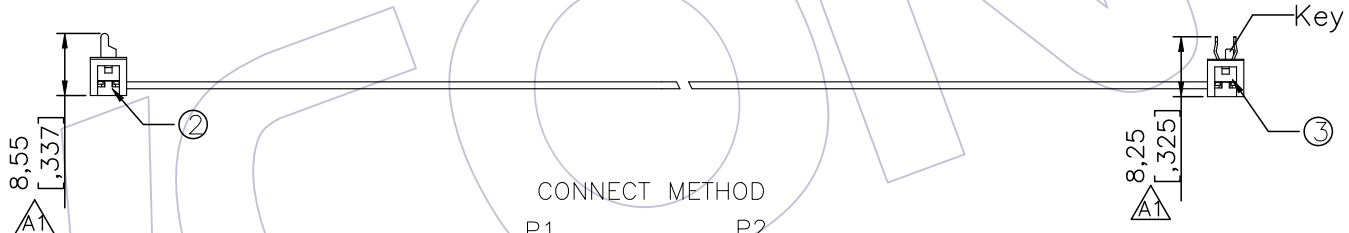
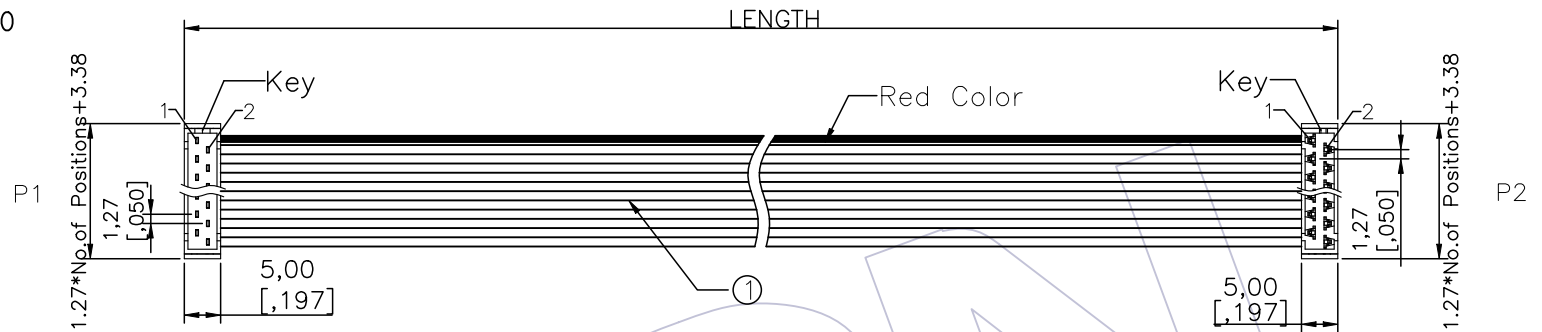
Electrical:300V

Insulation Resistance:5M $\Omega$  Min

Contact Resistance:1.0 $\Omega$  Max

Withstand Voltage:DC 300V, 10S

The Cable Assembly Must 100% Test



**CONNECT METHOD**

P1		P2
1	Red	1
2	Grey	2
3	Grey	3

XX	Grey	XX
XX	Grey	XX


LENGTH	TOLERANCE
≤100	±5
101~1000	±10
1001~3000	±20
3001~	± Lx1%

**Ordering Information**

F3900C - XX SN A R XXX 201

No.OF Pins    Contact Plating    CONN.Color    Length of Line  
 SN=Tin                      R=Red

③	3900-XXMISNANT01	CONN.	1.27 xxP Micro DIP PLUG IDC PBT RED Plating:SN	1	PCS
②	3900-XXMISNANT02	CONN.	1.27 xxP Micro BOX PLUG IDC PBT RED Plating:SN	1	PCS
①	F1U-C28GXXD0-XXXX-1	WIRE	UL2651 PH1.27mm XXP 28AWG(7/0.12TS) PVC Grey Red Side	XXX	MM
NO.	PART NO.	NAME	Specification	Q'TY	UNIT.

REV	DATE	MODIFICATION DESCRIPTION	CHANGE	OPERATION	DRAW	DATE	SCALE	FIT	PART NO.	 Http: www.wcon.com WCON-Dongguan    WCON-Kunshan Tel: +86 769 85358920    Tel: +86 512 57468408 Fax: +86 769 85358915    Fax: +86 512 57468468 E-mail: sales@wcon.com    E-mail: salesks@wcon.com
				X.X    ±0.40	BEN	10/08/14	UNIT	mm inch	F3900C-XXSNARXXX201	
A1	10/08/14	Change Micro Match ASS'Y Height		X.XX    ±0.25	CHECK	DATE	SIZE	A4	TITLE: 1.27 MRC Drawing	
A0	09/07/08	NEW		X.XXX    ±0.15	APPROVE	DATE	SHEET	1/1	Customer NO.	
				Angle    ± 3'			PROJ.			
				DIM    TOL						