

# HSF

**HOUSING MATERIAL:**

Micro Insulator Material:PBT+30%G.F UL94V-0

Micro Contact Material:Phosphor Bronze

Micro Contact plating:Sn Over Ni

**CABLE MATERIAL:**

Insulator:UL 2651,Grey

Conductor:28AWG(7/0.12mm)

Electrical:300V

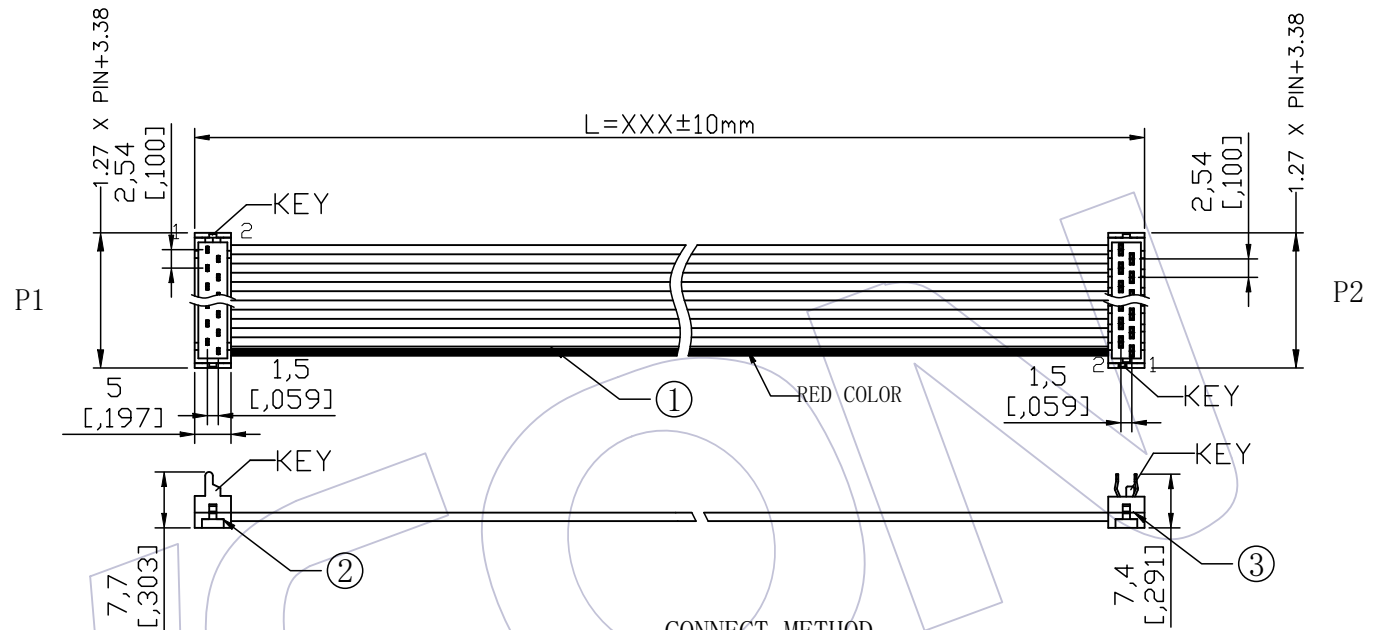
**SPECIFICATIONS**

Insulation Resistance: 5MΩ Min

Contact Resistance: 1.0Ω Max

Withstand Voltage: DC 300V, 10S

The Cable Assembly Must 100% Test



## Ordering Information

F3900C - xx SN B R xxx 201

No.OF Pins

Contact Plating

Length of Line

SN=Tin


Conn.Color

R=Red

**CONNECT METHOD**

P1	P2
1	XX
2	XX
3	XX
	⋮
XX	2
XX	1

NO.	PART NO.	NAME	TITLE	Q'TY	UNIT
③	3900-XXMISNANT01	CONN.	1.27 xxP Micro DIP PLUG IDC PBT RED Plating:SN	1	SET
②	3900-XXMISNANT02	CONN.	1.27 xxP Micro BOX PLUG IDC PBT RED Plating:SN	1	SET
①	F1U-C28GXXD0-XXX-1	WIRE	UL2651 PH1.27mm XXP 28AWG(7/0.12TC) PVC Grey Marking Red Side	XXX	MM

REV	DATE	MODIFICATION DESCRIPTION	CHANGE	OPERATION	DRAW	DATE	SCALE	FIT	PART NO.	 <a href="http://www.wcon.com">Http: www.wcon.com</a> WCON-Dongguan      WCON-Kunshan Tel: +86 769 85358920      Tel: +86 512 57468408 Fax: +86 769 85358915      Fax: +86 512 57468468 E-mail: sales@wcon.com      E-mail: salesks@wcon.com
				X.X	BEN	09/07/08	UNIT	mm	F3900C-XXSNBRXXX201	
				X.XX	CHECK	DATE	SIZE	A4	TITLE:	
				X.XXX	APPROVE	DATE	SHEET	1/1	1.27 MRC Drawing	
				Angle			PROJ.	Customer NO.		