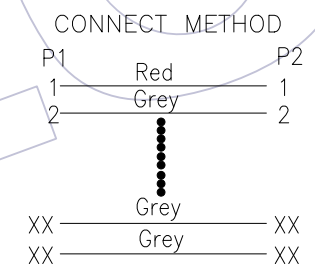
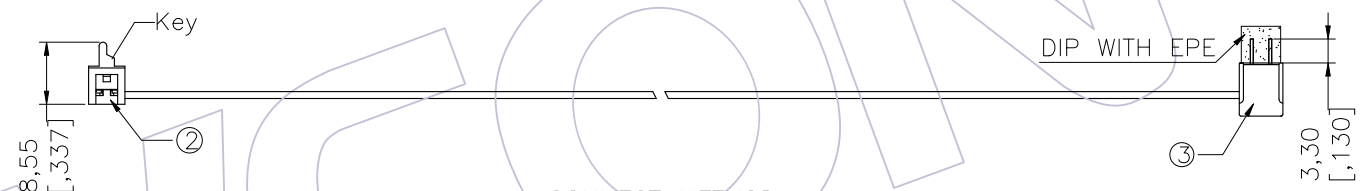
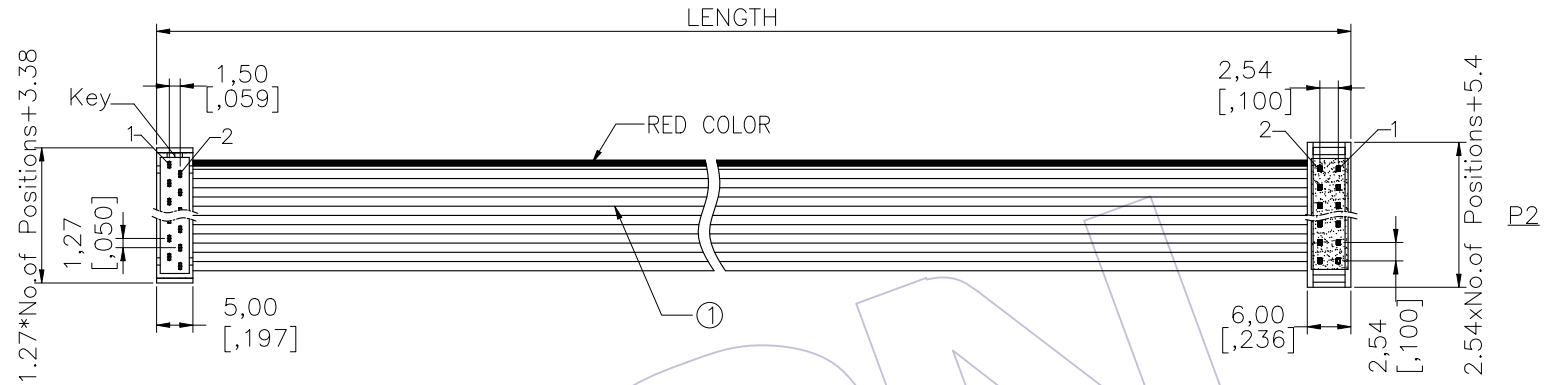


# HSF

Micro Match Connector Spec.:  
 Micro Insulator Material:PBT+30%G.F UL94V-0  
 Micro Contact Material:Phosphor Bronze  
 Micro Contact plating:Sn Over Ni  
 Dip Connector Spec.:  
 Insulation Material:PBT+30%GF(UL94V-0)  
 DIP Contact Material:Brass  
 DIP Contact plating:Au or Sn Over Ni

CABLE MATERIAL:  
 Insulator:UL 2651,Grey  
 Conductor:28AWG(7/0.12mm)  
 Electrical:300V

SPECIFICATIONS  
 Insulation Resistance:5M $\Omega$  Min  
 Contact Resistance:1.0 $\Omega$  Max  
 Withstand Voltage:DC 300V, 10S  
 The Cable Assembly Must 100% Test




| LENGTH    | TOLERANCE |
|-----------|-----------|
| ≤100      | ±5        |
| 101~1000  | ±10       |
| 1001~3000 | ±20       |
| 3001~     | ± Lx1%    |

## Ordering Information

F3900F - XX SN A R XXX 001

No.OF Pins 04~20p  
 Contact Plating SN=Tin  
 Length of Line  
 CONN.Color R=Red

| ③   | 5310-XXBXXX01       | CONN. | 2.54 DIP xxP PBT Color:XXX Brass Plating **u" gold            | 1    | PCS  |
|-----|---------------------|-------|---|------|------|
| ②   | 3900-XXMISNANT02    | CONN. | 1.27 xxP Micro BOX PLUG IDC PBT RED Plating:SN                | 1    | PCS  |
| ①   | F1U-C28GXXD0-XXXX-1 | WIRE  | UL2651 PH1.27mm xxP 28AWG(7/0.12TC) PVC Grey Marking Red Side | XXX  | MM   |
| NO. | PART NO.            | NAME  | TITLE   | Q'TY | UNIT |

| REV | DATE | MODIFICATION DESCRIPTION | CHANGE | OPERATION   | DRAW    | DATE     | SCALE        | FIT                     | PART NO.            | <br>Http: www.wcon.com<br>WCON-Dongguan Tel: +86 769 85358920<br>WCON-Kunshan Tel: +86 512 57468408<br>Fax: +86 769 85358915<br>E-mail: sales@wcon.com<br>E-mail: salesks@wcon.com |
|-----|------|--------------------------|--------|-------------|---------|----------|--------------|-------------------------|---------------------|---|
|     |      |                          |        | X.X ±0.40   | BEN     | 11/08/14 | UNIT mm/inch |                         | F3900F-XXSNARXXX001 |   |
|     |      |                          |        | X.XX ±0.25  | CHECK   | DATE     | SIZE A4      | TITLE: 1.27 MRC Drawing |                     |   |
|     |      |                          |        | X.XXX ±0.15 | APPROVE | DATE     | SHEET 1/1    | Customer NO.            |                     |   |
|     |      |                          |        | Angle ± 3'  |         |          | PROJ.        |                         |                     |   |
|     |      |                          |        | DIM TOL     |         |          |              |                         |                     |   |