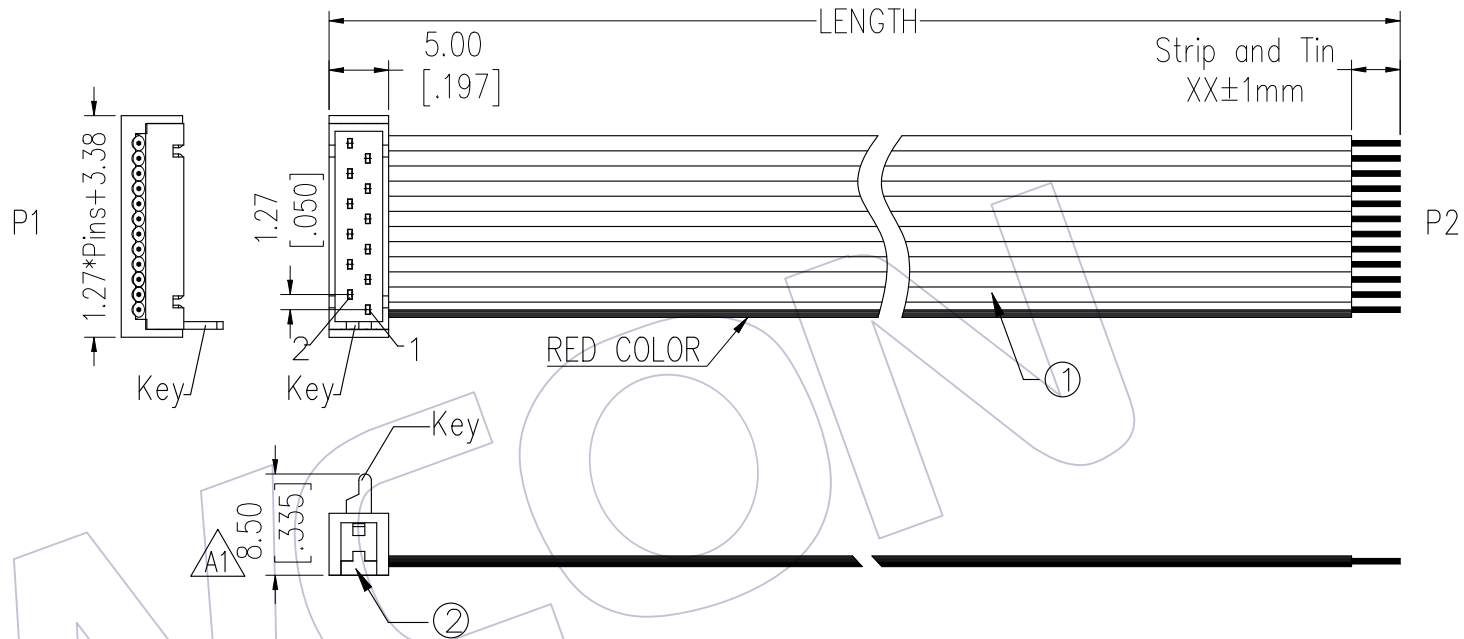


HSF

SPECIFICATIONS:

Contact Resistance: 1Ω Max.
 Insulation Resistance: 5MΩ Min.
 Withstand Voltage: 300V AC
 The Cable Assembly Must 100% Test



Ordering Information

F3900G - XX SN A R XXX 001

No.OF Pins
04~20p

CONN.Color:
R=Red

Contact Plating
SN=Tin

Length of Line

CONNECT METHOD

P1 P2
 1 — Red — OPEN
 2 — Grey — OPEN
 ●
 XX — Grey — OPEN
 XX — Grey — OPEN

LENGTH	TOLERANCE
≤100	±5
101~1000	±10
1001~3000	±20
3001~	± Lx1%

NO.	PART NO.	NAME	TITLE	QT'Y	UNIT
②	3900-XXMISNANT02	CONN.	1.27 MRC, IDC Type Box Header, XP, PBT Red, Sn Plated	1	PC
①	F1U-C28GXXD0-XXXX-X	WIRE	1.27 Flat Cable, XP, PVC Grey, Red Side, UL2651, 28AWG(7/0.12)	XXX	MM

REV	DATE	MODIFICATION DESCRIPTION	CHANGE	OPERATION	DRAW	DATE	SCALE	Fit	PART NO.
A2	2020/11/24	Change drawing frame	XSR	X.X ±0.40	XSR	2020/11/24	UNIT	mm [inch]	F3900G-XXSNARXXX001
A1	2010/11/20	Change Micro Match ASS'Y Height And add P2end Tin	-	X.XX ±0.25	CHECK	DATE	SIZE	A4	TITLE:
A0	2009/07/08	NEW	-	X.XXX ±0.15	APPROVE	DATE	SHEET	1/1	1.27mm MRC BOX to Open
				Angle ± 3'			PROJ.		CUSTOMER NO.
				DIM TOL					

WCON

Http: www.wcon.com

WCON-Dongguan Tel: +86 769 85358920 Fax: +86 769 85358915 E-mail: sales@wcon.com
 WCON-Kunshan Tel: +86 512 57468408 Fax: +86 512 57468468 E-mail: sales@wcon.com