

HSF

HOUSING MATERIAL:

Micro Insulator Material: PBT+30%G.F UL94V-0

Micro Contact Material: Phosphor Bronze

Micro Contact plating: Sn Over Ni

CABLE MATERIAL:

Insulator: UL 2651, Grey

Conductor: 28AWG(7/0.12mm)

Electrical: 300V

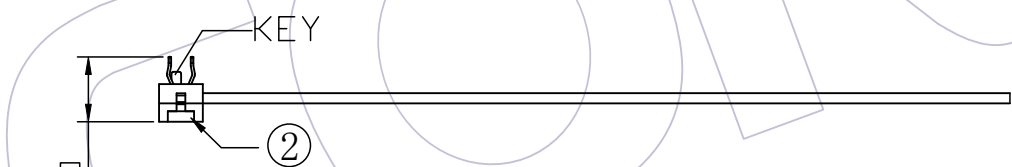
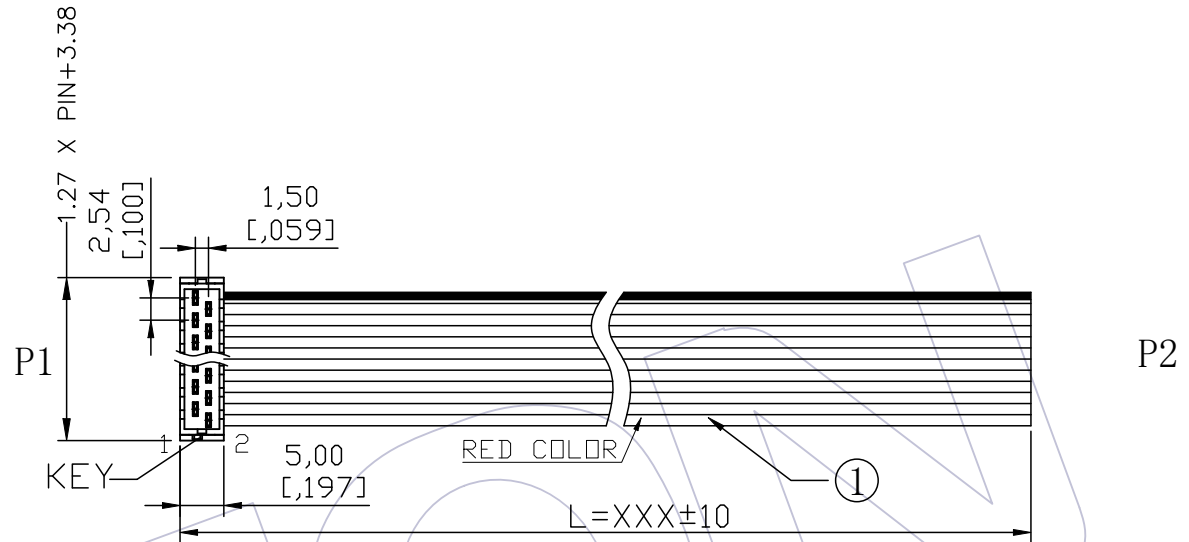
SPECIFICATIONS

Insulation Resistance: 5MΩ Min

Contact Resistance: 1.0Ω Max

Withstand Voltage: DC 300V, 10S

The Cable Assembly Must 100% Test



Ordering Information

F3900G - xx SN A R xxx 201

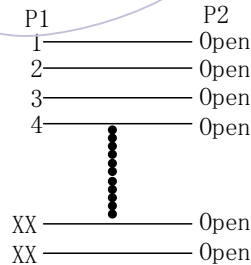
No. OF Pins
04-20p

Contact Plating
SN=Tin


CONN. Color:
R=Red

Length of Line

CONNECT METHOD



②	3900-XXMISNANTO	CONN.	1.27 XXP Micro DIP PLUG IDC PBT RED Plating:SN	1	SET
①	F1U-C28GXXD-XXXX	WIRE	UL2651 PH1.27mm XXP 28AWG(7/0.12TC) PVC Grey Marking Red Side	XXX	MM
NO.	PART NO.	NAME	TITLE	Q' TY	UNIT

				OPERATION	DRAW	DATE	SCALE	FIT	PART NO.	 Http: www.wcon.com WCON-Dongguan WCON-Kunshan Tel: +86 769 85358920 Tel: +86 512 57468408 Fax: +86 769 85358915 Fax: +86 512 57468468 E-mail: sales@wcon.com E-mail: salesks@wcon.com
				x.x ±0.40	BEN	09/07/08	UNIT	mm	TITLE:	
				x.xx ±0.25	CHECK	DATE	SIZE	A4		
				x.xxx ±0.15	APPROVE	DATE	SHEET	1/1	Customer NO.	
AO	09/07/08		NEW	Angle ± 3'			PROJ.	⊕		
REV	DATE		MODIFICATION DESCRIPTION	DIM	TOL					