

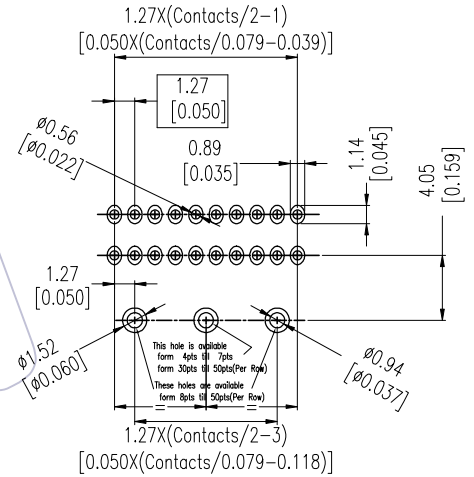
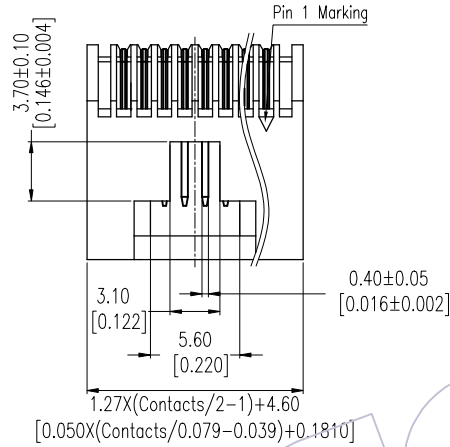
HSF

NOTES:

Current Rating:1A AMP
 Contact Resistance:30milliohm Max
 Withstand Voltage:250V AC/DC
 Insulation Resistance:1000Megohm Min
 Operation Temperature:-40°C to +105°C

Housing Material:PA9T+33%GF(UL94V-0)
 Contact Material:Phosphor Bronze
 Contact plating:Au or Sn over Ni Plating

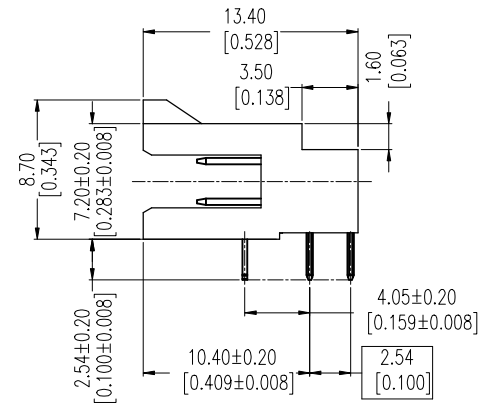
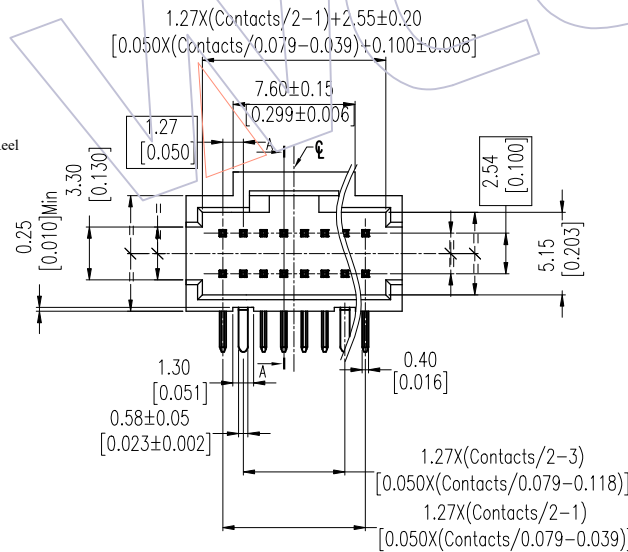
Recommended P. C. B Layout (Top Side)
 (PCB BOARD TOLERANCE ± 0.05)




Ordering Information

WF1271 - 2WRH XX B X 3

No. of pins Per Row 04-50P
 Contact Plating S0=Gold Flash/Tin S3=10u"Gold/Tin S4=15u"Gold/Tin S5=30u"Gold/Tin G0=Gold Flash G3=10u"Gold G4=15u"Gold G5=30u"Gold Blank=Tin
 Color B=Black
 Packing T=Tube R=Tape&Reel



| | | | | | | | | | | | |
|-----|------------|--------------------------|--------|-----------|-------|---------|------------|-------|-----|---|--|
| | | | | OPERATION | | DRAW | DATE | SCALE | FIT | PART NO. |  Http: www.wcon.com WCON-Dongguan Tel: +86 769 85358920 WCON-Kunshan Tel: +86 512 57468408 Fax: +86 769 85358915 E-mail: sales@wcon.com E-mail: salesks@wcon.com |
| | | | | x.x | ±0.40 | Ding | 2017/01/09 | UNIT | mm | TITLE: 1.27*2.54 Wafer 90° DIP TYPE H=13.40,W/O LOGO and Ear (With Fixing Hardware) | |
| | | | | x.xx | ±0.25 | CHECK | DATE | SIZE | A4 | | |
| AO | 2017/01/09 | NEW | | x.xxx | ±0.15 | APPROVE | DATE | SHEET | 1/2 | Customer NO. | |
| REV | DATE | MODIFICATION DESCRIPTION | CHANGE | Angle | ± 3' | | | PROJ. | | | |
| | | | | DIM | TOL | | | | | | |