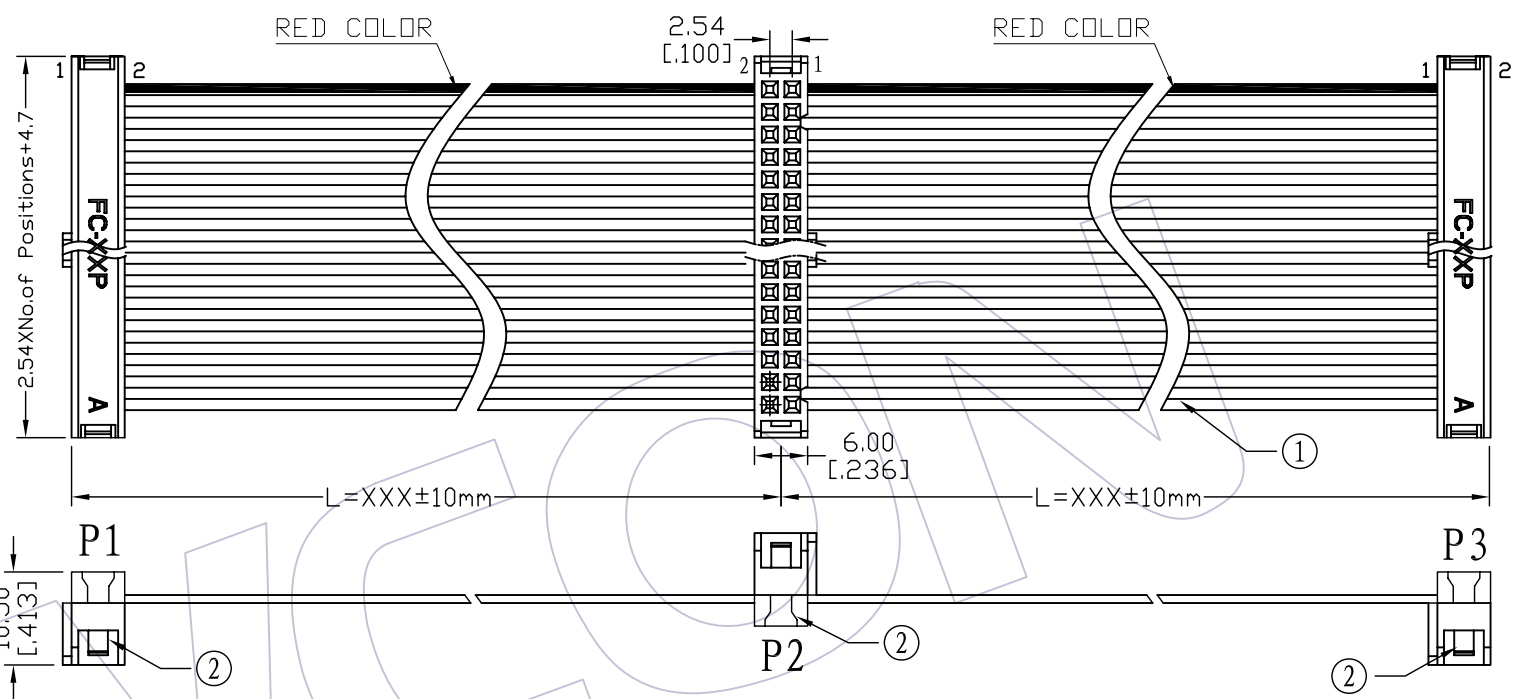


HSF

IDC HOUSING MATERIAL
 Insulation Material:PBT+30%GF(UL94V-0)
 Contact Material:Phosphor Bronze/Brass
 Contact plating:Au or Sn Over Ni

SPECIFICATIONS
 Insulation Resistance:5MΩ Min
 Contact Resistance:1.0Ω Max
 Withstand Voltage:DC 300V, 10S
 The Cable Assembly Must 100% Test

CABLE MATERIAL
 Insulation:UL 2651,Grey Red Side
 Conductor:28AWG(7/0.12mm)
 Electrical:300V

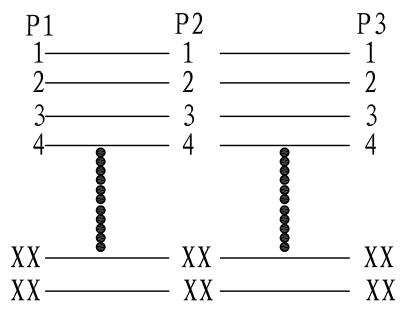


Ordering Information

FA13 - xx xx E A x xxx - 01

- No.OF Pins: 04~64p
- Contact Plating:
 - G0=Gold Flash
 - G3=10u"Gold
 - G4=15u"Gold
 - G5=30u"Gold
 - S0=Gold Flash/Ni
 - S3=10u"Gold/Ni
 - S4=15u"Gold/Ni
 - S5=30u"Gold/Ni
 - SN=Tin
- Connector Color:
 - B=Black
 - G=Grey(427C)
- Connector Direction:
 - E=Middle Opposite
- Length of Line(mm): xxx

CONNECT METHOD



②	5212-XXXXXXXX01	CONN.	2.54 IDC **P PBT Color:XXX material:XX, Plating Xu" gold	3	SET
①	F1U-C28GXXD0-XXXX-1	WIRE	UL2651 PH1.27mm XXP 28AWG(7/0.12TC) PVC Grey Marking Red Side	XXXX	MM
NO.	PART NO.	NAME	TITLE	QT'Y	UNIT

AO	09/09/02	NEW				OPERATION	DRAW	BEN	09/09/02	SCALE	1:1	 维峰五金电子有限公司 WAFE HARDWARE ELECTRONICS CO. LTD		
						x.x ±0.40	DESIGN			UNIT	mm			
						x.xx ±0.25	CHECK			SIZE	A4		PART NO.	FA13 - xxxxEAxxxx - 01
						x.xxx ±0.15	APPROVE			SHEET	1/1		TITLE:	2.54 IDC Drawing
REV	DATE	MODIFICATION	DESCRIPTION	CHANGE	APPROVE	Angle ± 3'	DIM TOL			PROJ.	Customer NO.			