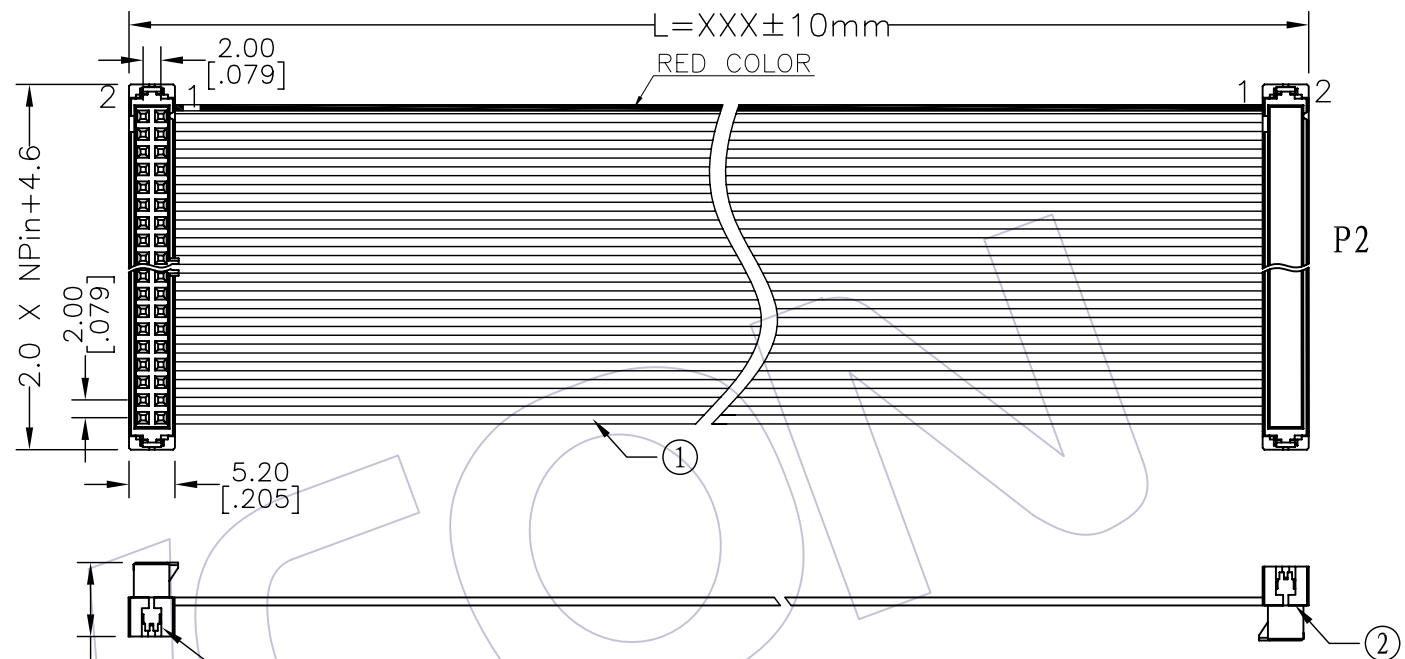


# HSF

**IDC HOUSING MATERIAL**  
 Insulation Material: PBT+30%GF(UL94V-0)  
 Contact Material: Phosphor Bronze  
 Contact plating: Au or Sn Over Ni

**SPECIFICATIONS**  
 Insulation Resistance: 5MΩ Min  
 Contact Resistance: 1.0Ω Max  
 Withstand Voltage: DC 300V, 10S  
 The Cable Assembly Must 100% Test

**CABLE MATERIAL**  
 Insulation: UL 2651, Grey Red Side  
 Conductor: 28AWG(7/0.12mm)  
 Electrical: 300V

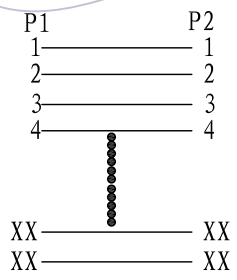


## Ordering Information

FA22 - xx xx B A B xxx - 81

No. OF Pins: 04~64p  
 Contact Plating:  
 G0=Gold Flash  
 G3=10u"Gold  
 G4=15u"Gold  
 G5=30u"Gold  
 S0=Gold Flash/Ni  
 S3=10u"Gold/Ni  
 S4=15u"Gold/Ni  
 S5=30u"Gold/Ni  
 SN=Tin  
 Connector Color:  
 B=Black  
 Connector Direction:  
 B=Opposite Direction  
 Length of Line(mm)

### CONNECT METHOD



②	5223-XXYPXXBW01	CONN.	2.00 IDC **P T TYPE PBT Black Phosphor Bronze Plating Xu"	2	SET
①	F1U-B28GXXD0-XXXX-1	WIRE	UL2651 PH1.0mm XXP 28AWG (7/0.12TC) PVC Grey Marking Red Side	XXXX	MM
NO.	PART NO.	NAME	TITLE	QT'Y	UNIT

						OPERATION	DRAW	BEN	09/08/26	SCALE	1:1	<b>WCON</b> 维峰五金电子有限公司 WAFE HARDWARE ELECTRONICS CO. LTD		
						x.x ±0.40	DESIGN			UNIT	mm			
						x.xx ±0.25	CHECK			SIZE	A4		PART NO.	FA22-xxxxBABxxx-81
						x.xxx ±0.15	APPROVE			SHEET	1/1		TITLE:	2.00 T TYPE IDC Drawing
AO	09/08/26		NEW			Angle ± 3'				PROJ.	☞	Customer NO.		
REV	DATE		MODIFICATION DESCRIPTION	CHANGE	APPROVE	DIM TOL								