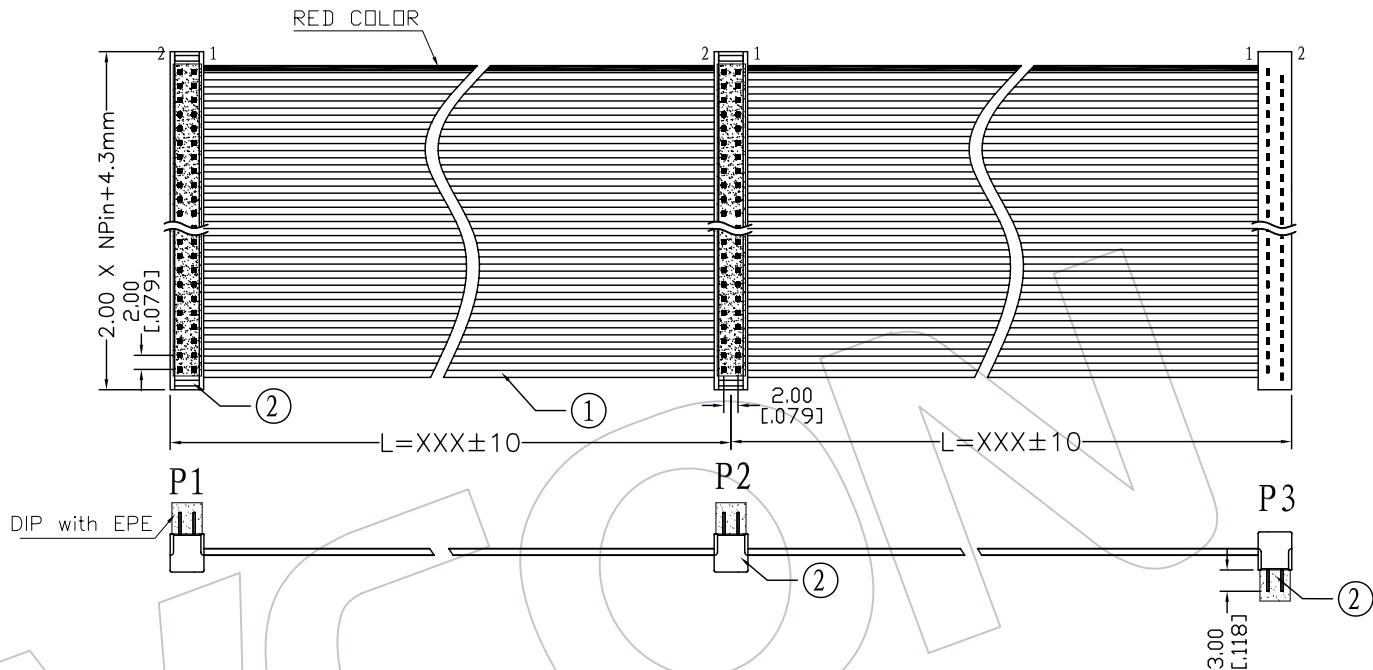


# HSF

**HOUSING MATERIAL**  
 Insulation Material:PBT+30%GF(UL94V-0)  
 Contact Material:Brass  
 Contact plating:Au or Sn Over Ni

**SPECIFICATIONS**  
 Insulation Resistance:5MΩ Min  
 Contact Resistance:1.0Ω Max  
 Withstand Voltage:DC 300V, 10S  
 The Cable Assembly Must 100% Test

**CABLE MATERIAL**  
 Insulation:UL 2651,Grey Red Side  
 Conductor:28AWG(7/0.12mm)  
 Electrical:300V



## Ordering Information

FC23 - xx xx D A B xxx - 01

No. OF Pins  
04-80p

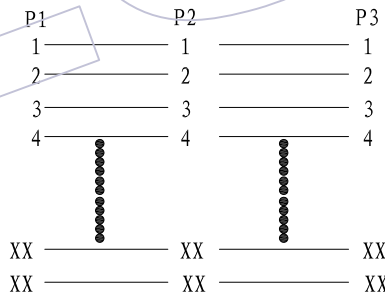
Contact Plating:  
 G0=Gold Flash  
 G3=10u"Gold  
 G4=15u"Gold  
 G5=30u"Gold  
 S0=Gold Flash/Ni  
 S3=10u"Gold/Ni  
 S4=15u"Gold/Ni  
 S5=30u"Gold/Ni  
 SN=Tin

Connector Color:  
B=Black

Connector Direction:  
D=Outside opposite

Length of Line(mm)

### CONNECT METHOD



②	5320-XXBXXB01	CONN.	2.00 DIP **P PBT Black Brass Plating Xu" gold	3	SET
①	F1U-B28GXXD0-XXXX-1	WIRE	UL2651 PH1.0mm XXP 28AWG (7/0.12TC) PVC Grey Marking Red Side	XXXX	MM
NO.	PART NO.	NAME	TITLE	QTY	UNIT

						OPERATION	DRAW	BEN	09/09/08	SCALE	1:1	<b>维峰五金电子有限公司</b> WAFE HARDWARE ELECTRONICS CO. LTD		
						X.X ±0.40	DESIGN			UNIT	mm			
						X.XX ±0.25	CHECK			SIZE	A4		PART NO.	FC23 - xxxxDABxxx - 01
						X.XXX ±0.15	APPROVE			SHEET	1/1		TITLE:	2.00 DIP Drawing
						Angle ± 3' DIM TOL				PROJ.	Customer NO.			
REV	DATE	MODIFICATION	DESCRIPTION	CHANGE	APPROVE									