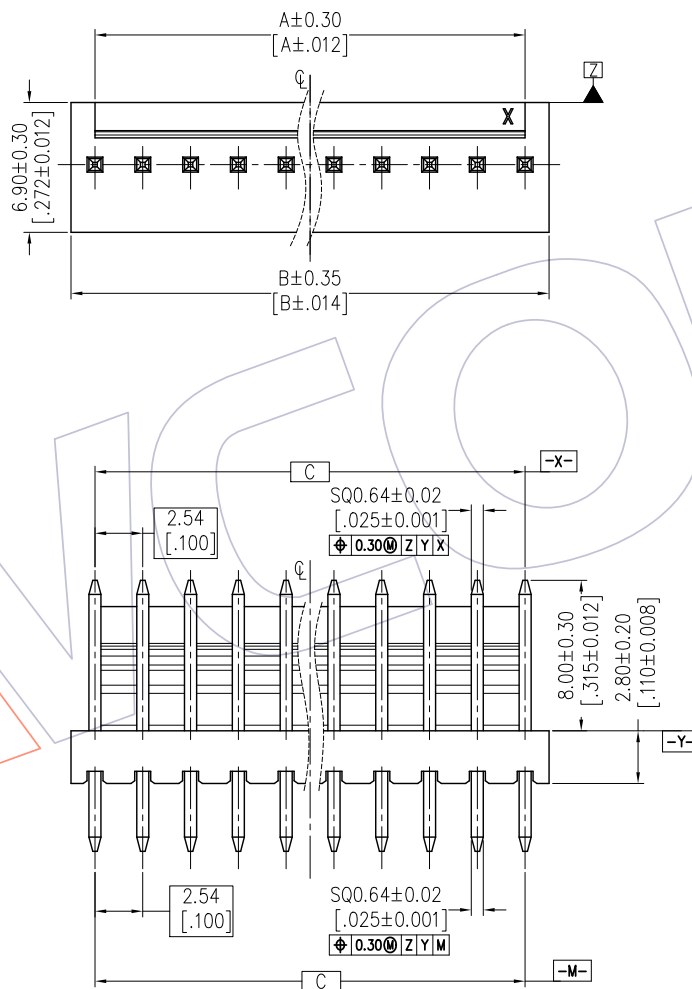
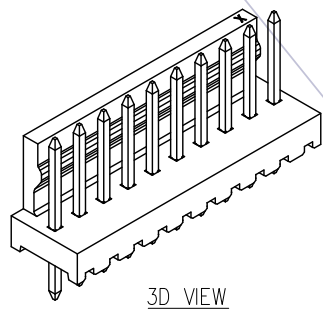


HSF

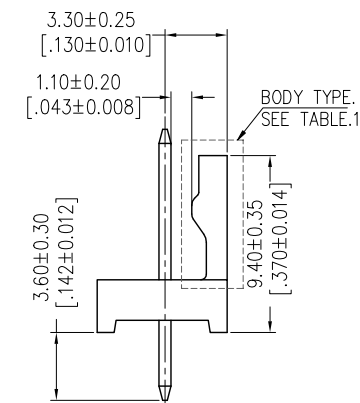
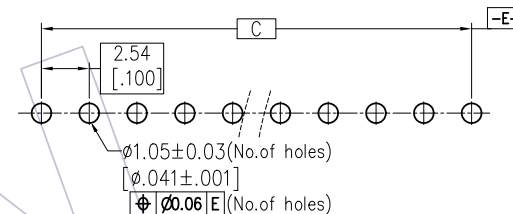
NOTES:
 Current Rating: 3.0AMP
 Contact Resistance: 20m Ω Max
 Withstand Voltage: 1000V AC/minute
 Insulation Resistance: 1000M Ω Min
 Operation Temperature: -40℃ to +105℃

Contact Material: Copper Alloy
 Contact plating: See Ordering Information
 Insulator Material: PA66,G.F,UL94V-0,WHITE.

Recommended Process:
 Wave Soldering, Peak temperature: 235±5℃



Recommended P.C.B Layout(Top Side)
 (PCB BOARD TOLERANCE±0.05)
 PCB BOARD THICKNESS: 1.6~2.0



REV	DATE	MODIFICATION DESCRIPTION	CHANGE	OPERATION		DRAW	DATE	SCALE	FIT	PART NO.
				X.X	±0.40					
A1	2020/04/16	Add Contact plating "S4" and "G4" ⚠	Andrey	X.XX	±0.25	Andrey	2020/04/16	UNIT	mm inch	WF2545-AWSXXXXW01
A0	2020/04/06	NEW	Andrey	X.XXX	±0.15	CHECK	DATE	SIZE	A4	TITLE: 2.54mm Wafer S/T Single Row, Not Breakable, Dip Height=3.60mm
				Angle	± 3'	APPROVE	DATE	SHEET	1/3	Customer NO.
				DIM	TOL			PROJ.		

Http: www.wcon.com

WCON-Dongguan Tel: +86 769 85358920 Fax: +86 769 85358915 E-mail: sales@wcon.com	WCON-Kunshan Tel: +86 512 57468408 Fax: +86 512 57468468 E-mail: salesks@wcon.com
---	--

HSF

Ordering Information

WF 2545 -A WS XX XX W 0 1

Company Code

Product Series Code:
254= 2.54mm Pitch
5= Fifth series

Body Type:
See Table.1

Type Code:
WS=180° DIP

No. of pins:
02~36Pin

Contact Plating
 ▲ S4=15u" Gold Plated On Contact Area,
 80u" Min Bright Tin Plated On Ni Plated
 50u" Min Nickel Plated Overall

▲ G4=15u" Gold Over 50u" Nickel

Blank:
Full Bright Tin 80u" Min Plated Overall

Wcon Internal Code

Packing
0=PE Bag

Housing Color
W=White

TABLE 1(BODY TYPE):

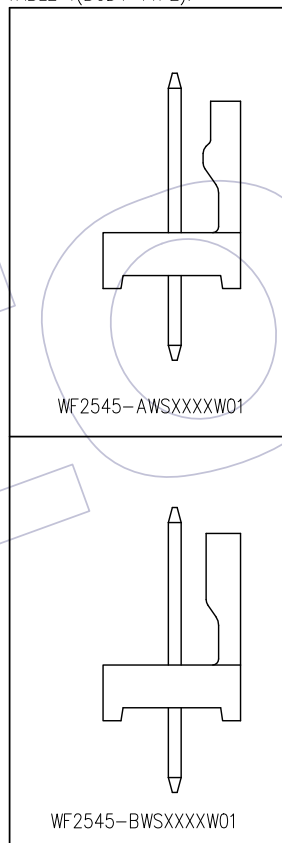


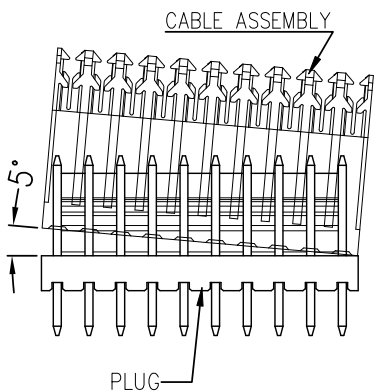
TABLE 2:

Pin No.	Part Number	Dim.A	Dim.B	Dim.C
2P	WF2545-AWS02XXW01	2.54	5.08	2.54
3P	WF2545-AWS03XXW01	5.08	7.62	5.08
4P	WF2545-AWS04XXW01	7.62	10.16	7.62
5P	WF2545-AWS05XXW01	10.16	12.70	10.16
6P	WF2545-AWS06XXW01	12.70	15.24	12.70
7P	WF2545-AWS07XXW01	15.24	17.78	15.24
8P	WF2545-AWS08XXW01	17.78	20.32	17.78
9P	WF2545-AWS09XXW01	20.32	22.86	20.32
10P	WF2545-AWS10XXW01	22.86	25.40	22.86
11P	WF2545-AWS11XXW01	25.40	27.94	25.40
12P	WF2545-AWS12XXW01	27.94	30.48	27.94
13P	WF2545-AWS13XXW01	30.48	33.02	30.48
14P	WF2545-AWS14XXW01	33.02	35.56	33.02
15P	WF2545-AWS15XXW01	35.56	38.10	35.56
16P	WF2545-AWS16XXW01	38.10	40.64	38.10
17P	WF2545-AWS17XXW01	40.64	43.18	40.64
18P	WF2545-AWS18XXW01	43.18	45.72	43.18
19P	WF2545-AWS19XXW01	45.72	48.26	45.72
20P	WF2545-AWS20XXW01	48.26	50.80	48.26
21P	WF2545-AWS21XXW01	50.80	53.34	50.80
22P	WF2545-AWS22XXW01	53.34	55.88	53.34
23P	WF2545-AWS23XXW01	55.88	58.42	55.88
24P	WF2545-AWS24XXW01	58.42	60.96	58.42
25P	WF2545-AWS25XXW01	60.96	63.50	60.96
26P	WF2545-AWS26XXW01	63.50	66.04	63.50
27P	WF2545-AWS27XXW01	66.04	68.58	66.04
28P	WF2545-AWS28XXW01	68.58	71.12	68.58
29P	WF2545-AWS29XXW01	71.12	73.66	71.12
30P	WF2545-AWS30XXW01	73.66	76.20	73.66
31P	WF2545-AWS31XXW01	76.20	78.74	76.20
32P	WF2545-AWS32XXW01	78.74	81.28	78.74
33P	WF2545-AWS33XXW01	81.28	83.82	81.28
34P	WF2545-AWS34XXW01	83.82	86.36	83.82
35P	WF2545-AWS35XXW01	86.36	88.90	86.36
36P	WF2545-AWS36XXW01	88.90	91.44	88.90

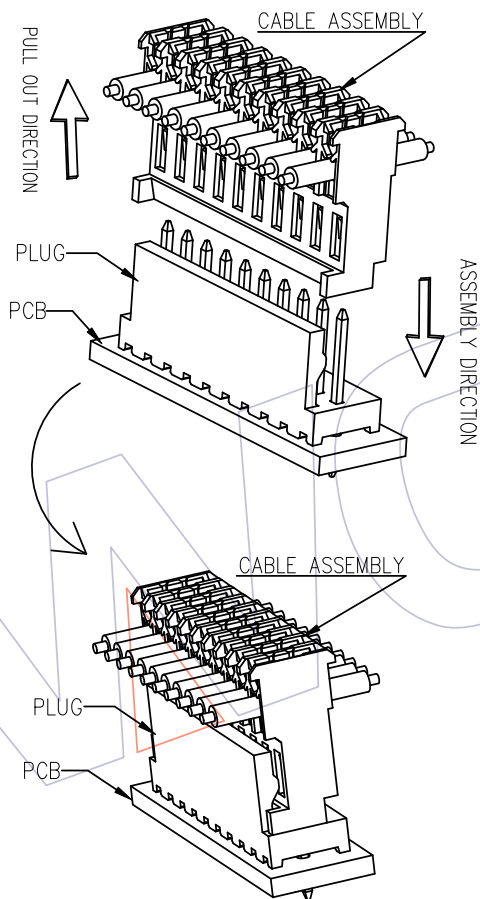
REV	DATE	MODIFICATION DESCRIPTION	CHANGE	OPERATION		DRAW	DATE	SCALE	FIT	PART NO.	TITLE:	WCON	
				X.X	±0.40							Http: www.wcon.com	
A1	2020/04/16	Add Contact plating "S4" and "G4" ▲	Andrey	X.XX	±0.25	CHECK	2020/04/16	UNIT	mm inch	WF2545-AWSXXXW01	2.54mm Wafer S/T Single Row, Not Breakable,Dip Height=3.60mm	WCON-Dongguan	WCON-Kunshan
A0	2020/04/06	NEW	Andrey	X.XXX	±0.15	APPROVE	DATE	SIZE	A4	Customer NO.		Tel: +86 769 85358920	Tel: +86 512 57468408
				Angle	± 3'			SHEET	2/3			Fax: +86 769 85358915	Fax: +86 512 57468468
				DIM	TOL			PROJ.	⌀			E-mail: sales@wcon.com	E-mail: sales@wcon.com

HSF

ALLOWED ANGULAR INCLINATION
TOLERANCES LONGITUDINAL: $\pm 5^\circ$



DYNAMIC USE HINT:



ASSEMBLY COMPLETION STATUS

PLUG-1	ADAPTATION CABLE ASSEMBLY	PLUG-2
	<p>CABLE</p> <p>STAY-SAFE</p> <p>PART NO.: WF2545-XXHIEXBT01</p>	
	<p>CABLE</p> <p>NOT STAY-SAFE</p> <p>PART NO.: WF2545-XXHIEXBT02</p>	
<p>WF2545-AWSXXXW01</p>	<p>CABLE</p> <p>STAY-SAFE</p> <p>PART NO.: WF2545-XXHITXBT01</p>	<p>WF2545-BWSXXXW01</p>
	<p>CABLE</p> <p>NOT STAY-SAFE</p> <p>PART NO.: WF2545-XXHITXBT02</p>	

REV	DATE	MODIFICATION DESCRIPTION	CHANGE	OPERATION		DRAW	DATE	SCALE	FIT	PART NO.
				X.X	± 0.40					
A1	2020/04/16	Add Contact plating "S4" and "G4"	Andrey	X.XX	± 0.25	Andrey	2020/04/16	UNIT	$\frac{\text{mm}}{\text{inch}}$	WF2545-AWSXXXW01
A0	2020/04/06	NEW	Andrey	X.XXX	± 0.15			SIZE	A4	TITLE:
				Angle	$\pm 3^\circ$			SHEET	3/3	2.54mm Wafer S/T Single Row, Not Breakable, Dip Height=3.60mm
				DIM	TOL			PROJ.		Customer NO.

WCON

Http: www.wcon.com

WCON-Dongguan Tel: +86 769 85358920 Fax: +86 769 85358915 E-mail: sales@wcon.com	WCON-Kunshan Tel: +86 512 57468408 Fax: +86 512 57468468 E-mail: salesks@wcon.com
---	--