

HSF

NOTES:

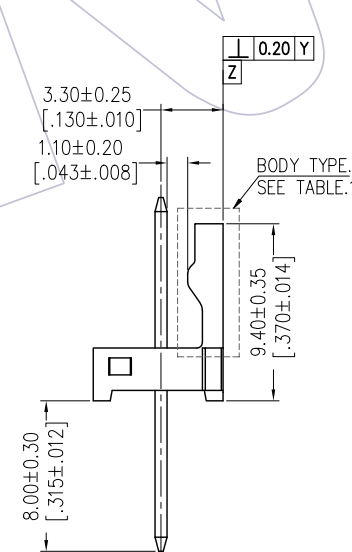
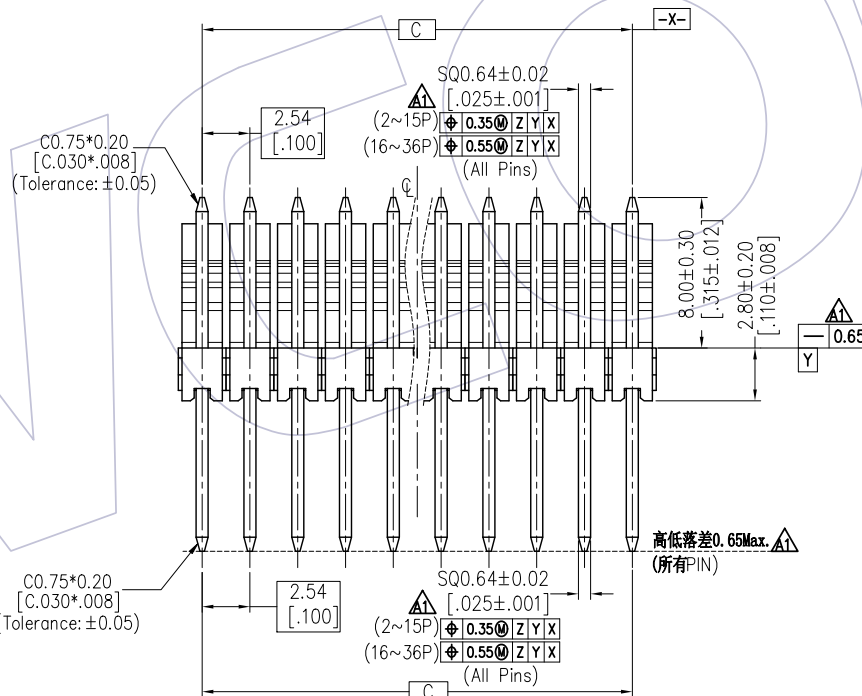
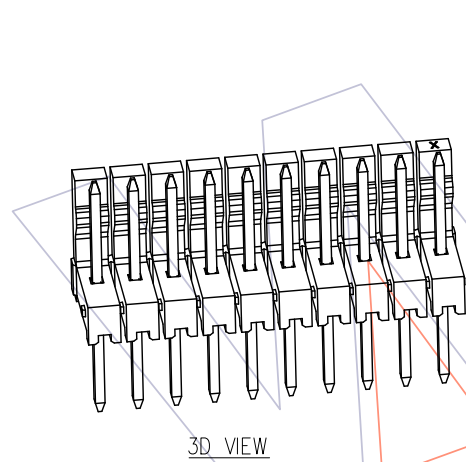
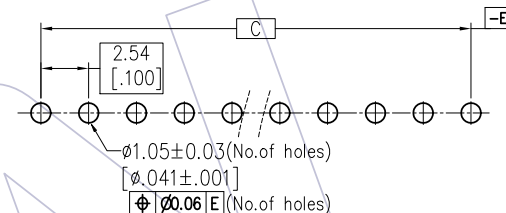
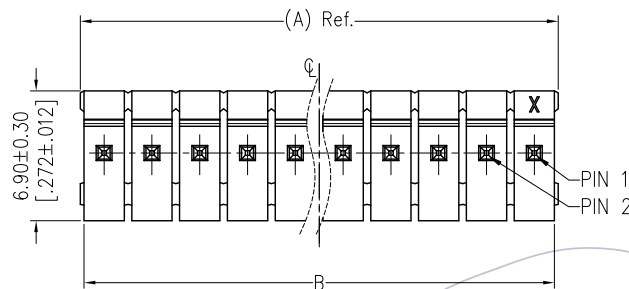
Current Rating: 3.0AMP
 Voltage Rating: 250V
 Contact Resistance: 20mΩ Max
 Withstand Voltage: 1000V AC/minute
 Insulation Resistance: 1000MΩ Min
 Operation Temperature: -40℃ to +105℃

Contact Material: Copper Alloy
 Contact plating: See Ordering Information
 Insulator Material: PA66,G.F,UL94V-0,WHITE.

Recommended Process:

Wave Soldering, Peak temperature: 235±5℃

Recommended P.C.B Layout(Top Side)
 (PCB BOARD TOLERANCE±0.05)
 PCB BOARD THICKNESS: 1.6~2.0



REV	DATE	MODIFICATION DESCRIPTION	CHANGE	OPERATION		DRAW	DATE	SCALE	FIT	PART NO.
				X.X	±0.40					
A1	2021/04/02	Modify dimension label \triangle	Chao	X.XX	±0.25	Chao	2021/04/02	UNIT	mm [inch]	WF2545-CWSXXXXW03
A0	2020/08/13	NEW RELEASE	Andrey	X.XXX	±0.15	CHECK	DATE	SIZE	A4	TITLE:
				Angle	± 3'	APPROVE	DATE	SHEET	1/3	2.54mm Wafer S/T Single Row, Breakable, Dip Height=8.0mm
				DIM	TOL			PROJ.	ϕ	Customer NO.

WCON

Http: www.wcon.com

WCON-Dongguan Tel: +86 769 85358920
 WCON-Kunshan Tel: +86 512 57468408
 Fax: +86 769 85358915
 Fax: +86 512 57468468
 E-mail: sales@wcon.com
 E-mail: salesks@wcon.com

HSF

Ordering Information

WF 2545 -C WS XX XX W 0 3

Company Code

Product Series Code:
254= 2.54mm Pitch
5= Fifth series

Body Type:
See Table.1

Type Code:
WS=180° DIP

No. of pins:
02~36Pin

Contact Plating:
S4=15u" Gold Plated On Contact Area,
80u" Min Bright Tin Plated On Ni Plated
50u" Min Nickel Plated Overall

G4=15u" Gold Over 50u" Nickel

Blank:
Full Bright Tin 80u" Min Plated Overall

Wcon Internal Code
3=Dip Height 8.00mm

Packing
0=PE Bag

Housing Color
W=White

TABLE 1(BODY TYPE):

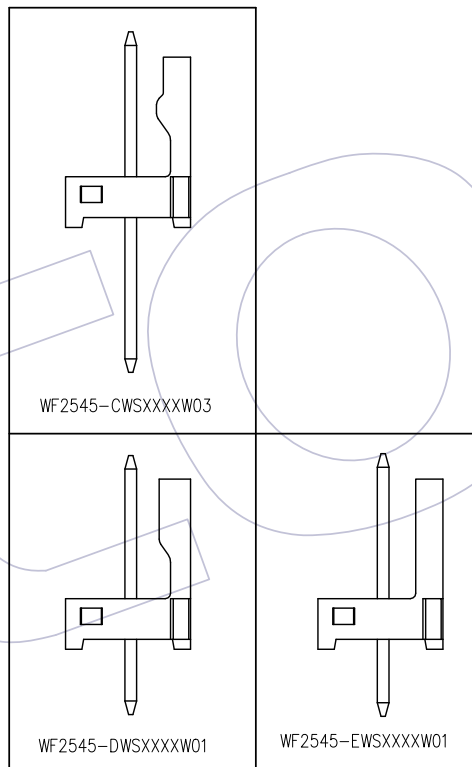


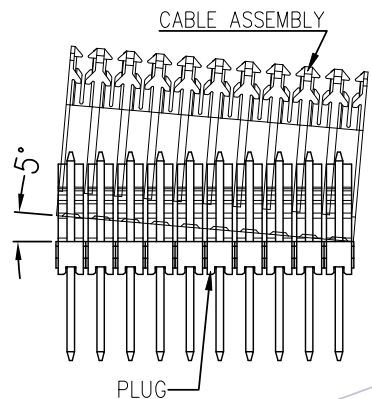
TABLE 2:

Pin No.	Part Number	Dim.A	Dim.B		Dim.C
			Standard	TOL.	
2P	WF2545-CWS02XXW03	5.08	4.68	±0.30	2.54
3P	WF2545-CWS03XXW03	7.62	7.22		5.08
4P	WF2545-CWS04XXW03	10.16	9.76		7.62
5P	WF2545-CWS05XXW03	12.70	12.30		10.16
6P	WF2545-CWS06XXW03	15.24	14.84		12.70
7P	WF2545-CWS07XXW03	17.78	17.38		15.24
8P	WF2545-CWS08XXW03	20.32	19.92		17.78
9P	WF2545-CWS09XXW03	22.86	22.46		20.32
10P	WF2545-CWS10XXW03	25.40	25.00		22.86
11P	WF2545-CWS11XXW03	27.94	27.54		25.40
12P	WF2545-CWS12XXW03	30.48	30.08	27.94	
13P	WF2545-CWS13XXW03	33.02	32.62	30.48	
14P	WF2545-CWS14XXW03	35.56	35.16	33.02	
15P	WF2545-CWS15XXW03	38.10	37.70	35.56	
16P	WF2545-CWS16XXW03	40.64	40.24	±0.40	38.10
17P	WF2545-CWS17XXW03	43.18	42.78		40.64
18P	WF2545-CWS18XXW03	45.72	45.32		43.18
19P	WF2545-CWS19XXW03	48.26	47.86		45.72
20P	WF2545-CWS20XXW03	50.80	50.40		48.26
21P	WF2545-CWS21XXW03	53.34	52.94		50.80
22P	WF2545-CWS22XXW03	55.88	55.48		53.34
23P	WF2545-CWS23XXW03	58.42	58.02		55.88
24P	WF2545-CWS24XXW03	60.96	60.56		58.42
25P	WF2545-CWS25XXW03	63.50	63.10		60.96
26P	WF2545-CWS26XXW03	66.04	65.64	±0.45	63.50
27P	WF2545-CWS27XXW03	68.58	68.18		66.04
28P	WF2545-CWS28XXW03	71.12	70.72		68.58
29P	WF2545-CWS29XXW03	73.66	73.26		71.12
30P	WF2545-CWS30XXW03	76.20	75.80		73.66
31P	WF2545-CWS31XXW03	78.74	78.34		76.20
32P	WF2545-CWS32XXW03	81.28	80.88		78.74
33P	WF2545-CWS33XXW03	83.82	83.42		81.28
34P	WF2545-CWS34XXW03	86.83	86.43		83.82
35P	WF2545-CWS35XXW03	88.90	88.50		86.83
36P	WF2545-CWS36XXW03	/	91.04	88.90	

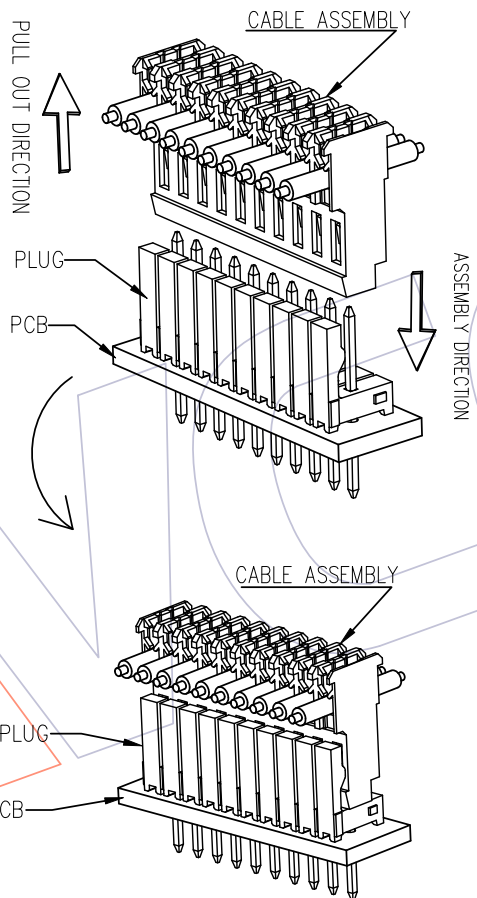
REV	DATE	MODIFICATION DESCRIPTION	CHANGE	OPERATION		DRAW	DATE	SCALE	FIT	PART NO.	TITLE:	WCON	
				x.x	±0.40							Http: www.wcon.com	
A1	2021/04/02	Modify dimension label	Chao	x.xx	±0.25	Chao	2021/04/02	UNIT	mm [inch]	WF2545-CWSXXXW03	2.54mm Wafer S/T Single Row, Breakable, Dip Height=8.00mm	WCON-Dongguan	WCON-Kunshan
A0	2020/08/13	NEW RELEASE	Andrey	x.xxx	±0.15			SIZE	A4			Tel: +86 769 85358920	Tel: +86 512 57468408
				Angle	± 3'			SHEET	2/3			Fax: +86 769 85358915	Fax: +86 512 57468468
				DIM	TOL			PROJ.		Customer NO.		E-mail: sales@wcon.com	E-mail: salesks@wcon.com

HSF

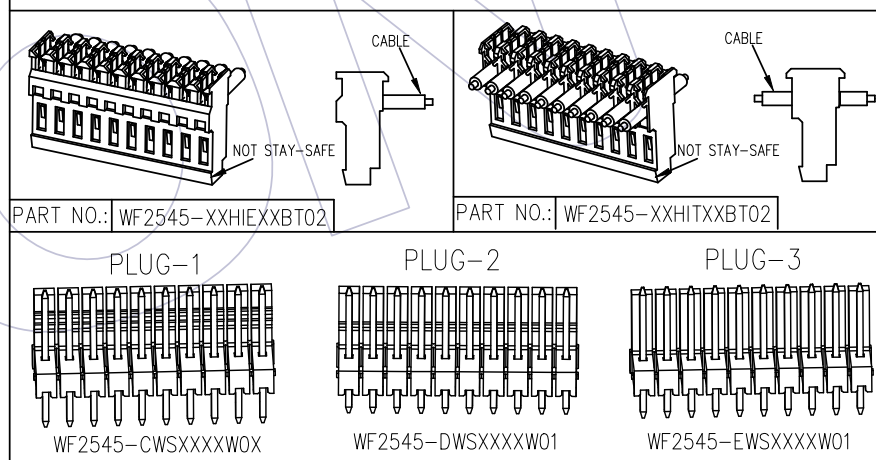
ALLOWED ANGULAR INCLINATION
TOLERANCES LONGITUDINAL: $\pm 5^\circ$





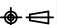
DYNAMIC USE HINT:



ADAPTATION CABLE ASSEMBLY



ASSEMBLY COMPLETION STATUS

REV	DATE	MODIFICATION DESCRIPTION	CHANGE	OPERATION		DRAW	DATE	SCALE	FIT	PART NO.	TITLE:	 Http: www.wcon.com WCON-Dongguan Tel: +86 769 85358920 Fax: +86 769 85358915 E-mail: sales@wcon.com WCON-Kunshan Tel: +86 512 57468408 Fax: +86 512 57468468 E-mail: salesks@wcon.com	
				X.X	± 0.40								
A1	2021/04/02	Modify dimension label 	Chao	X.XX	± 0.25	CHECK	DATE	SIZE	A4	WF2545-CWSXXXW03	2.54mm Wafer S/T Single Row, Breakable, Dip Height=8.00mm		
AO	2020/08/13	NEW RELEASE	Andrey	X.XXX	± 0.15	APPROVE	DATE	SHEET	3/3				
				Angle	$\pm 3^\circ$			PROJ.		Customer NO.			