

HSF

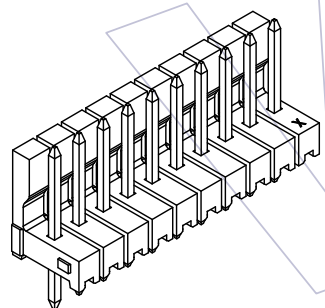
NOTES:

Current Rating: 3.0AMP
 Voltage Rating: 250V
 Contact Resistance: 20mΩ Max
 Withstand Voltage: 1000V AC/minute
 Insulation Resistance: 1000MΩ Min
 Operation Temperature: -40℃ to +105℃

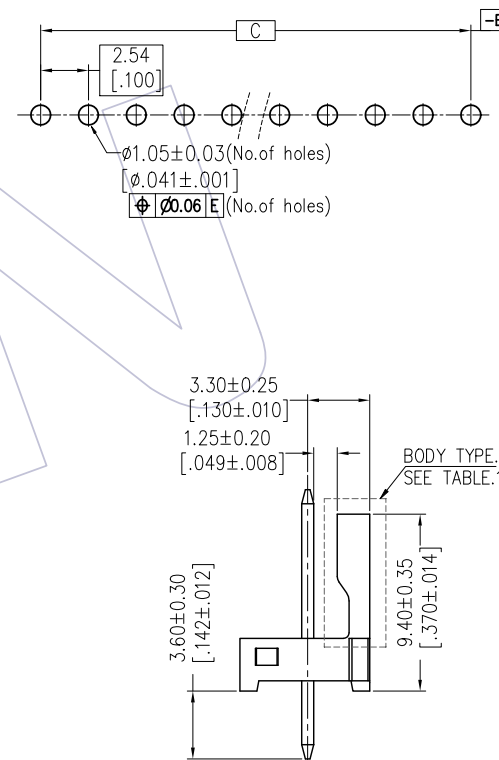
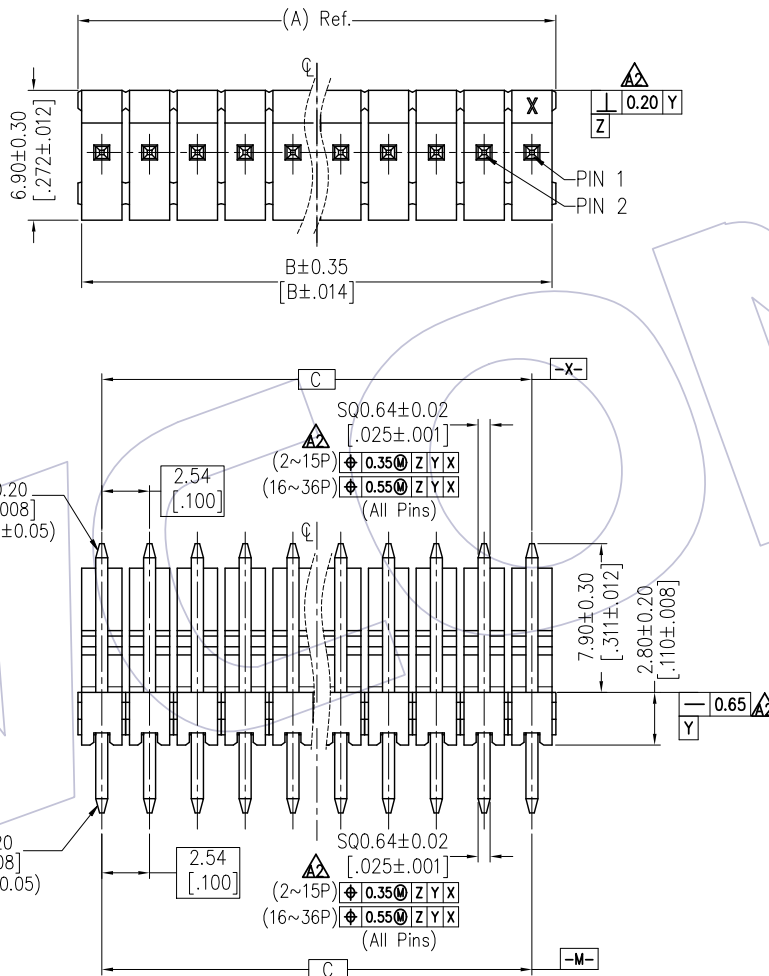
Contact Material: Copper Alloy
 Contact plating: See Ordering Information
 Insulator Material: PA66,G.F,UL94V-0,WHITE.

Recommended Process:
 Wave Soldering, Peak temperature: 235±5℃

Recommended P.C.B Layout(Top Side)
 (PCB BOARD TOLERANCE±0.05)
 PCB BOARD THICKNESS: 1.6~2.0



3D VIEW



REV	DATE	MODIFICATION DESCRIPTION	CHANGE	OPERATION	DRAW	DATE	SCALE	FIT	PART NO.
A2	2021/04/02	Modify dimension label	Chao	X.X ±0.40	Chao	2021/04/02	UNIT	mm	WF2545-DWSXXXW01
A1	2020/04/16	Add Contact plating "S4" and "G4"	Andrey	X.XX ±0.25	CHECK	DATE	SIZE	A4	
A0	2020/03/11	NEW	Andrey	X.XXX ±0.15	APPROVE	DATE	SHEET	1/3	2.54mm Wafer S/T Single Row, Breakable, Dip Height=3.60mm
				Angle ± 3'			PROJ.		
				DIM TOL					



Http: www.wcon.com

WCON-Dongguan Tel: +86 769 85358920 Fax: +86 769 85358915 E-mail: sales@wcon.com
 WCON-Kunshan Tel: +86 512 57468408 Fax: +86 512 57468468 E-mail: salesks@wcon.com

HSF

Ordering Information

WF 2545 -D WS XX XX W 0 1
 Company Code: WF
 Product Series Code: 2545= 2.54mm Pitch
 5= Fifth series
 Body Type: -D
 See Table.1
 Type Code: WS=180° DIP
 No. of pins: XX XX
 02~36Pin
 Contact Plating:
 ▲S4=15u" Gold Plated On Contact Area,
 80u" Min Bright Tin Plated On Ni Plated
 50u" Min Nickel Plated Overall
 ▲G4=15u" Gold Over 50u" Nickel
 Blank:
 Full Bright Tin 80u" Min Plated Overall
 Wcon Internal Code: W
 1~9
 Packing: 0=PE Bag
 Housing Color: W=White

TABLE 1(BODY TYPE):

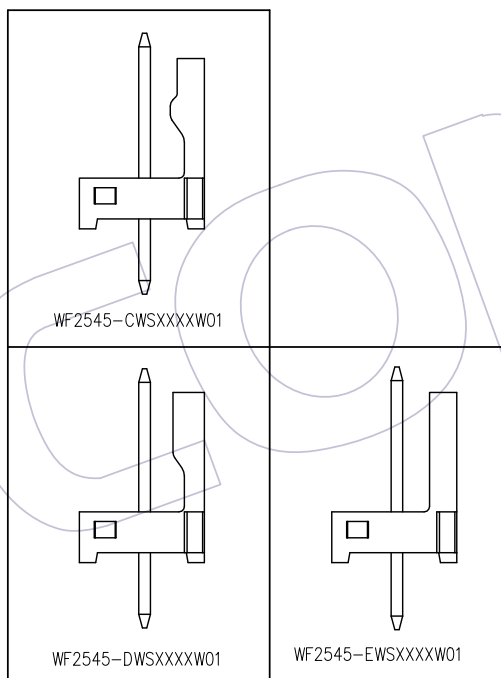



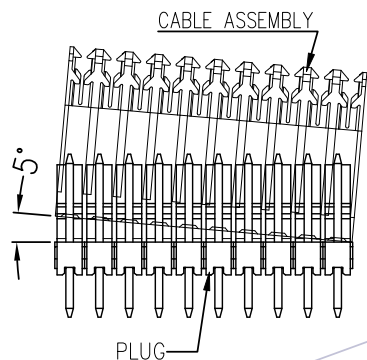
TABLE 2:

Pin No.	Part Number	Dim.A	Dim.B	Dim.C
2P	WF2545-DWS02XXW01	5.08	4.68	2.54
3P	WF2545-DWS03XXW01	7.62	7.22	5.08
4P	WF2545-DWS04XXW01	10.16	9.76	7.62
5P	WF2545-DWS05XXW01	12.70	12.30	10.16
6P	WF2545-DWS06XXW01	15.24	14.84	12.70
7P	WF2545-DWS07XXW01	17.78	17.38	15.24
8P	WF2545-DWS08XXW01	20.32	19.92	17.78
9P	WF2545-DWS09XXW01	22.86	22.46	20.32
10P	WF2545-DWS10XXW01	25.40	25.00	22.86
11P	WF2545-DWS11XXW01	27.94	27.54	25.40
12P	WF2545-DWS12XXW01	30.48	30.08	27.94
13P	WF2545-DWS13XXW01	33.02	32.62	30.48
14P	WF2545-DWS14XXW01	35.56	35.16	33.02
15P	WF2545-DWS15XXW01	38.10	37.70	35.56
16P	WF2545-DWS16XXW01	40.64	40.24	38.10
17P	WF2545-DWS17XXW01	43.18	42.78	40.64
18P	WF2545-DWS18XXW01	45.72	45.32	43.18
19P	WF2545-DWS19XXW01	48.26	47.86	45.72
20P	WF2545-DWS20XXW01	50.80	50.40	48.26
21P	WF2545-DWS21XXW01	53.34	52.94	50.80
22P	WF2545-DWS22XXW01	55.88	55.48	53.34
23P	WF2545-DWS23XXW01	58.42	58.02	55.88
24P	WF2545-DWS24XXW01	60.96	60.56	58.42
25P	WF2545-DWS25XXW01	63.50	63.10	60.96
26P	WF2545-DWS26XXW01	66.04	65.64	63.50
27P	WF2545-DWS27XXW01	68.58	68.18	66.04
28P	WF2545-DWS28XXW01	71.12	70.72	68.58
29P	WF2545-DWS29XXW01	73.66	73.26	71.12
30P	WF2545-DWS30XXW01	76.20	75.80	73.66
31P	WF2545-DWS31XXW01	78.74	78.34	76.20
32P	WF2545-DWS32XXW01	81.28	80.88	78.74
33P	WF2545-DWS33XXW01	83.82	83.42	81.28
34P	WF2545-DWS34XXW01	86.33	86.43	83.82
35P	WF2545-DWS35XXW01	88.90	88.50	86.83
36P	WF2545-DWS36XXW01	/	91.04	88.90

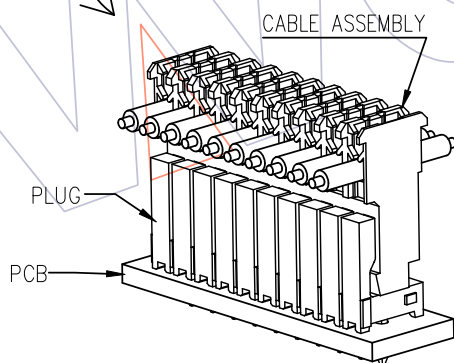
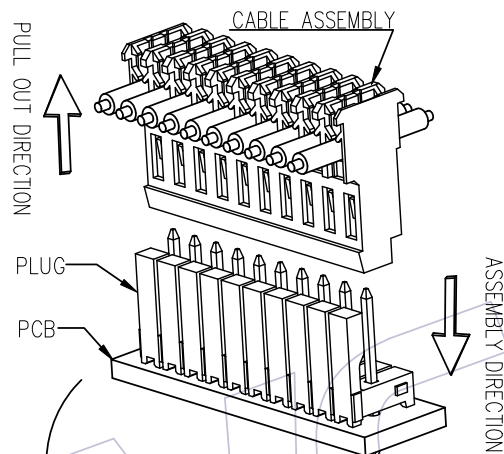
REV	DATE	MODIFICATION DESCRIPTION	CHANGE	OPERATION	DRAW	DATE	SCALE	FIT	PART NO.	 Http: www.wcon.com
A2	2021/04/02	Modify dimension label ▲	Chao	X.X	±0.40	2021/04/02	UNIT	mm [inch]	WF2545-DWSXXXW01	
A1	2020/04/16	Add Contact plating "S4" and "G4" ▲	Andrey	X.XX	±0.25	DATE	SIZE	A4	TITLE: 2.54mm Wafer S/T Single Row, Breakable, Dip Height=3.60mm	
A0	2020/03/11	NEW	Andrey	X.XXX	±0.15	DATE	SHEET	2/3	Customer NO.	
				Angle	± 3'		PROJ.			
				DIM	TOL					

HSF

ALLOWED ANGULAR INCLINATION
TOLERANCES LONGITUDINAL: $\pm 5^\circ$

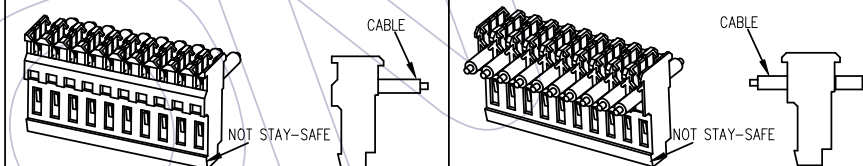


DYNAMIC USE HINT:



ASSEMBLY COMPLETION STATUS

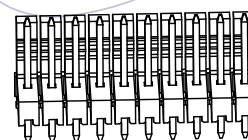
ADAPTATION CABLE ASSEMBLY



PART NO.: WF2545-XXHIEXXBT02

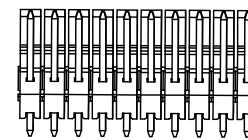
PART NO.: WF2545-XXHITXXBT02

PLUG-1



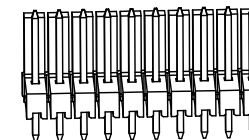
WF2545-CWSXXXXW01

PLUG-2



WF2545-DWSXXXXW01

PLUG-3



WF2545-EWSXXXXW01

REV	DATE	MODIFICATION DESCRIPTION	CHANGE	OPERATION	DRAW	DATE	SCALE	FIT	PART NO.
A2	2021/04/02	Modify dimension label	Chao	X.X	± 0.40	2021/04/02	UNIT	[inch]	WF2545-DWSXXXXW01
A1	2020/04/16	Add Contact plating "S4" and "G4"	Andrey	X.XX	± 0.25	DATE	SIZE	A4	TITLE:
A0	2020/03/11	NEW	Andrey	X.XXX	± 0.15	DATE	SHEET	3/3	2.54mm Wafer S/T Single Row, Breakable, Dip Height=3.60mm
				Angle	$\pm 3^\circ$	DATE	PROJ.		Customer NO.
				DIM	TOL				

WCON

Http: www.wcon.com

WCON-Dongguan Tel: +86 769 85358920 Fax: +86 769 85358915 E-mail: sales@wcon.com

WCON-Kunshan Tel: +86 512 57468408 Fax: +86 512 57468468 E-mail: salesks@wcon.com