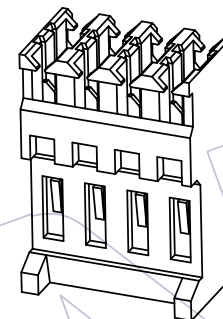
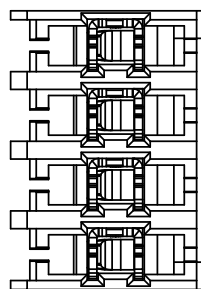


# HSF

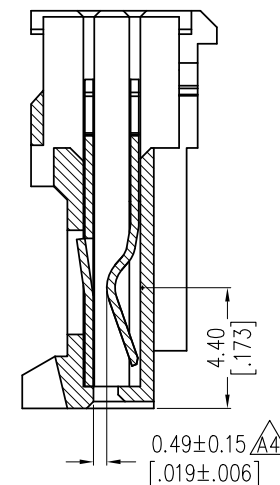
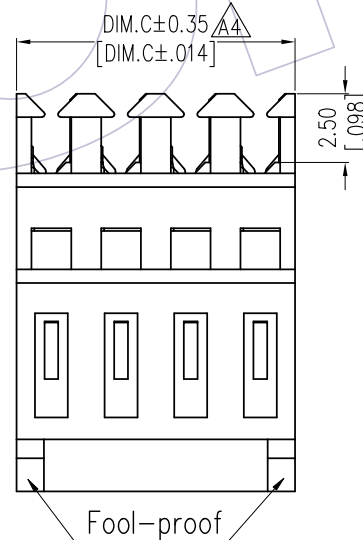
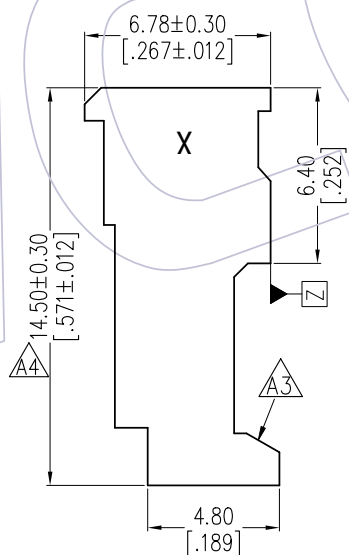
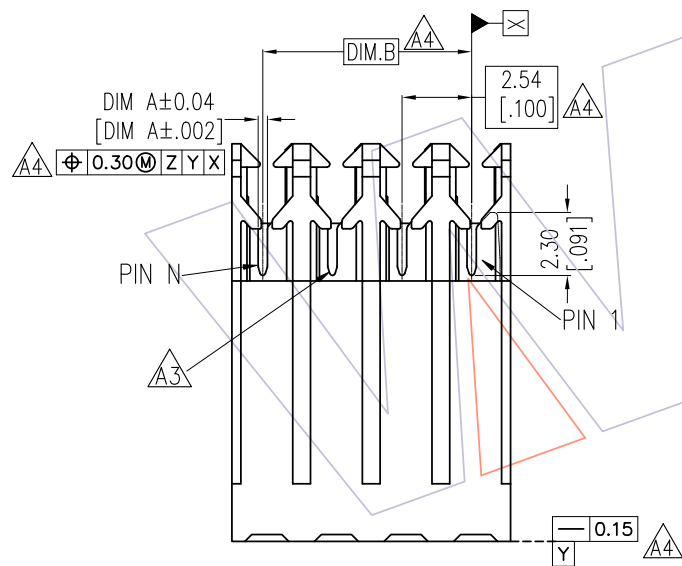
## NOTES:

Current Rating: 3.0~4.0AMP  
 Voltage Rating: 300V AC  
 Contact Resistance: 10mΩ Max  
 Withstand Voltage: 750V AC/DC/Minute  
 Insulation Resistance: 1000MΩ Min  
 Operation Temperature: -55℃ to +105℃

Contact Material: Copy Alloy  
 Contact plating: See Ordering Information  
 Insulator Material: PA66 UL94V-2



3D VIEW



A4	2020.06.28	Modify Dimension Control Mode	Andrey	OPERATION	DRAW	DATE	SCALE	FIT	PART NO.
A3	2020.04.25	Modify Terminal Slot And Fool-Proof Spec	Andrey	x.x ± 0.40	Andrey	2020.06.28	UNIT	mm	WF2545-XXHIEXXT01
A2	2020.03.10	Modify P/N	XSR	x.xx ± 0.25	CHECK	DATE	SIZE	A4	TITLE:
A0	2016.10.20	NEW	Ding	x.xxx ± 0.15	APPROVE	DATE	SHEET	1/2	2.54mm Wafer CONN, IDC Type
REV	DATE	MODIFICATION DESCRIPTION	CHANGE	Angle ± 3°			PROJ.	Customer NO.	End Closed Type, W/T Fool-proof
				DIM TOL					

# WCON

Http: [www.wcon.com](http://www.wcon.com)

WCON-Dongguan	WCON-Kunshan
Tel: +86 769 85358920	Tel: +86 512 57468408
Fax: +86 769 85358915	Fax: +86 512 57468468
E-mail: <a href="mailto:sales@wcon.com">sales@wcon.com</a>	E-mail: <a href="mailto:salesks@wcon.com">salesks@wcon.com</a>

# HSF

## Ordering Information $\Delta$

### WF 2545- XX HI E XX X XX T 0 1

Company Code

Product Series Code

254= 2.54mm Pitch  
5= Fifth series

Wire Size

28=28AWG  
26=26AWG  
24=24AWG  
22=22AWG

Type

IDC Type

Type of Assemble Cable

E=End Closed Type

No. of Pins

02P-30P

Series No.

1:W/T Fool-proof

Packing

0=PE Bag

Color

T= Natural

Contact Plating

Blank: Full Bright Tin  
100u"Min Plated Overall

Contact Material

B=Brass

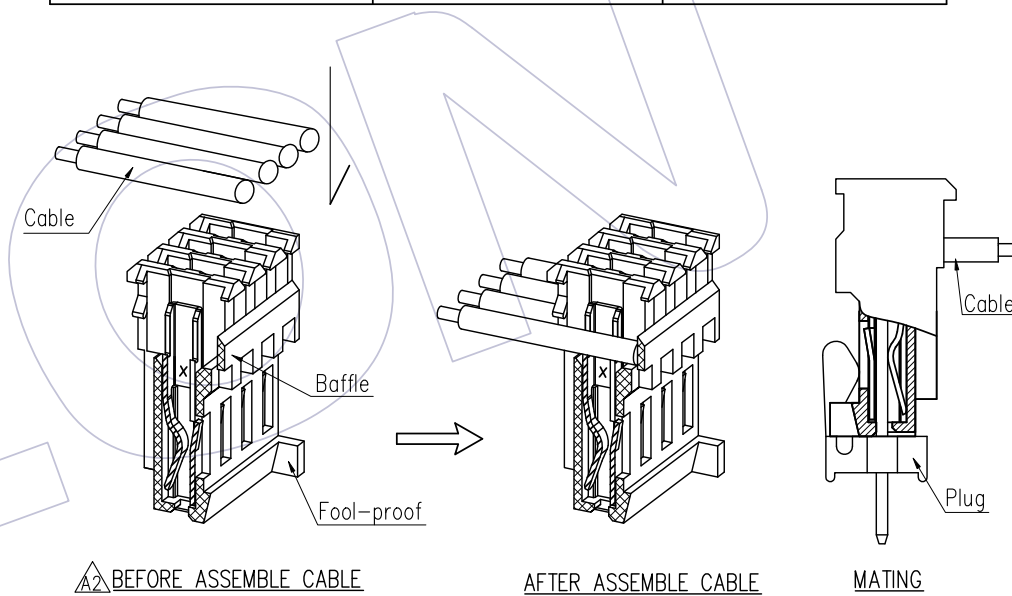
P=Phosphor bronze

11P	25.40	27.94	21P	50.80	53.34			
10P	22.86	25.40	20P	48.26	50.80	30P	73.66	76.20
9P	20.32	22.86	19P	45.72	48.26	29P	71.12	73.66
8P	17.78	20.32	18P	43.18	45.72	28P	68.58	71.12
7P	15.24	17.78	17P	40.64	43.18	27P	66.04	68.58
6P	12.70	15.24	16P	38.10	40.64	26P	63.50	66.04
5P	10.16	12.70	15P	35.56	38.10	25P	60.96	63.50
4P	7.62	10.16	14P	33.02	35.56	24P	58.42	60.96
3P	5.08	7.62	13P	30.48	33.02	23P	55.88	58.42
2P	2.54	5.08	12P	27.94	30.48	22P	53.34	55.88
PIN	DIM.B	DIM.C	PIN	DIM.B	DIM.C	PIN	DIM.B	DIM.C

$\Delta$

A4	2020.06.28	Modify Dimension Control Mode	Andrey	OPERATION	DRAW	DATE	SCALE	FIT	PART NO.
A3	2020.04.25	Modify Terminal Slot And Fool-Proof Spec	Andrey	x.x ±0.40	Andrey	2020.06.28	UNIT	mm	WF2545-XXHIEXXT01
A2	2020.03.10	Modify P/N	XSR	x.xx ±0.25	CHECK	DATE	SIZE	A4	TITLE:
A0	2016.10.20	NEW	Ding	x.xxx ±0.15	APPROVE	DATE	SHEET	2/2	2.54mm Wafer CONN, IDC Type
REV	DATE	MODIFICATION DESCRIPTION	CHANGE	Angle ± 3°	DIM	TOL	PROJ.	$\varnothing$	End Closed Type, W/T Fool-proof
									Customer NO.

FEMALE ASSEMBLY	ADAPTATION MALE ASSEMBLY	
WF2545-XXHIEXXT01	WF2541-WRXXE0X	WF2544-WSXXW0X
	WF2541-WRHXXTOX	WF2544-WRXXW0X
	WF2541-WSXXE0X	WF2546-WRXXW0X
		WF2546-WSXXW0X



Old Part NO.	New Part NO.	Wire Size: AWG(mm <sup>2</sup> )	DIM.A	CONN. Stripe Color	Current Rating: AMPS
	WF2545-28HIEXXB01	28AWG(0.08-0.09)	0.20	GREEN	3.0
WF2545-HIXXW01	WF2545-26HIEXXB01	26AWG(0.12-0.15)	0.28	BLUE	3.3
WF2545-HIXXW02	WF2545-24HIEXXB01	24AWG(0.2)	0.34	BLACK	3.5
WF2545-HIXXW03	WF2545-22HIEXXP01	22AWG(0.3-0.4)	0.48	RED	4.0

# WCON

Http: www.wcon.com

WCON-Dongguan  
Tel: +86 769 85358920  
Fax: +86 769 85358915  
E-mail: sales@wcon.com

WCON-Kunshan  
Tel: +86 512 57468408  
Fax: +86 512 57468468  
E-mail: salesks@wcon.com