

HSF

NOTES:

Current Rating:8A/Pin(AT 30°C Rise, 20% Derated)
 Voltage Rating:400V/AC
 Contact Resistance:20mΩ Max.
 Withstand Voltage:1500V AC
 Insulation Resistance:1000MΩ Min.
 Operation Temperature:-40°C to +105°C
 Insulator Material:PA66,G.F,UL94V-0,White

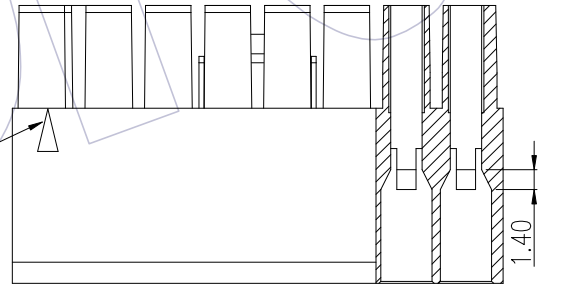
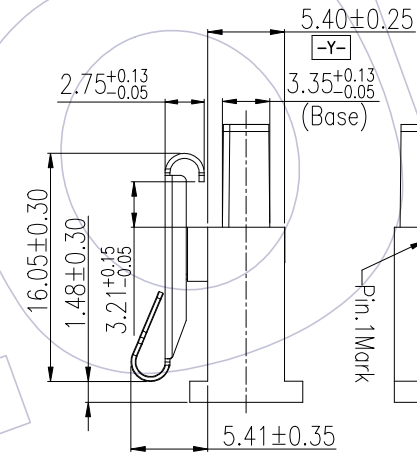
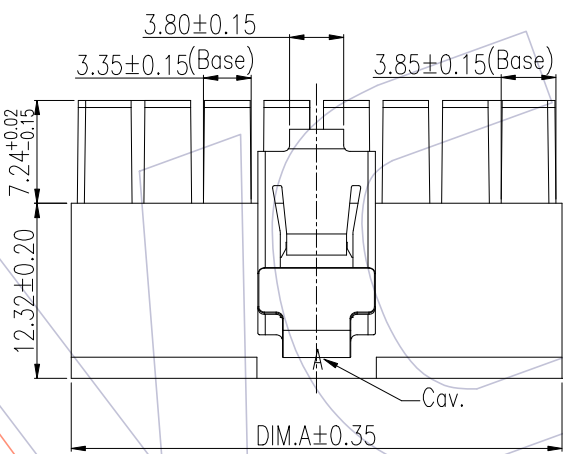
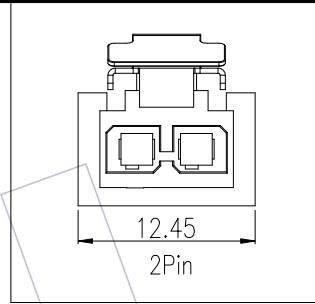
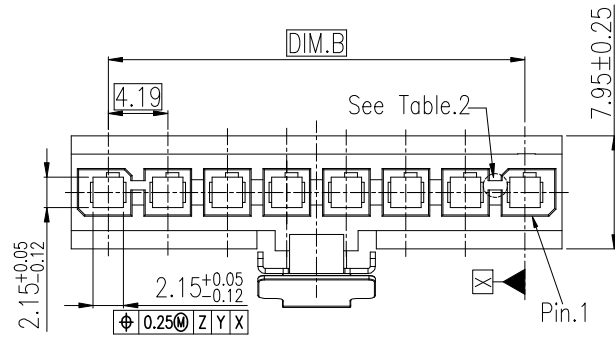
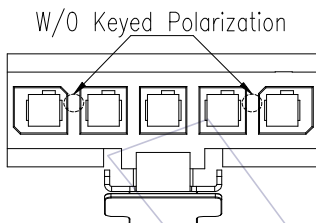
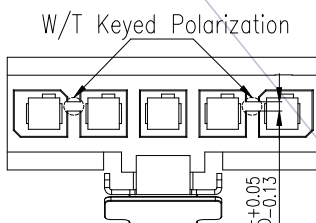


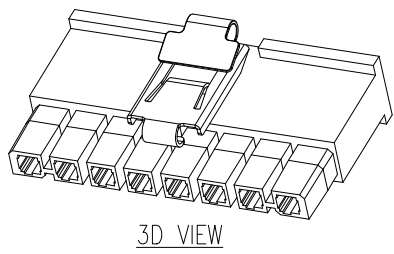
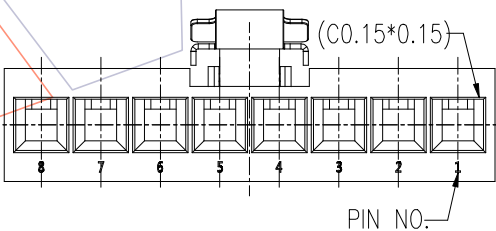
Table.2:



WF4191-1HXXWX4



WF4191A-1HXXWX4



3D VIEW

Table.1:

PIN No.	Part No.	Dimension	
		A	B
2P	WF4191(A)-1H02WX4	12.45	4.19
3P	WF4191(A)-1H03WX4	13.59	8.38
4P	WF4191(A)-1H04WX4	17.78	12.57
5P	WF4191(A)-1H05WX4	21.97	16.76
8P	WF4191(A)-1H08WX4	34.54	29.33
10P	WF4191(A)-1H10WX4	42.92	37.71
15P	WF4191(A)-1H15WX4	63.87	58.66

OPERATION	DRAW	DATE	SCALE	Fit	PART NO.
x.x ±0.40	Andrey	2020/12/09	UNIT	mm	WF4191(A)-1HXXWX4
x.xx ±0.25	CHECK	DATE	SIZE	A4	TITLE:
x.xxx ±0.15	APPROVE	DATE	SHEET	1/3	4.19mm Housing Single Row, Metal Latch, Crimp Type, Type 2
Angle ± 3'			PROJ.	Customer NO.	
DIM TOL					
AO 2020/12/09	NEW RELEASE	Andrey			
REV	DATE	MODIFICATION DESCRIPTION	CHANGE		

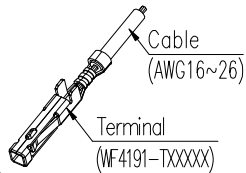


Http: www.wcon.com

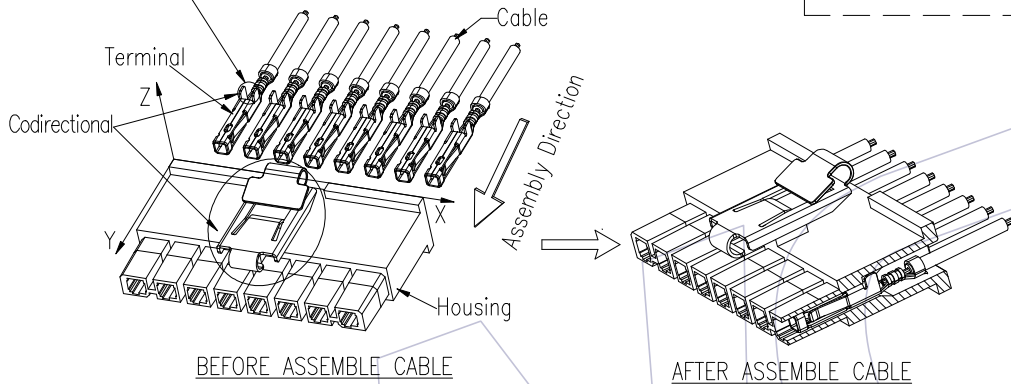
WCON-Dongguan Tel: +86 769 85358920 Fax: +86 769 85358915 E-mail: sales@wcon.com
 WCON-Kunshan Tel: +86 512 57468408 Fax: +86 512 57468468 E-mail: salesks@wcon.com

HSF

WIRE CRIMP



This part of terminal orientate direction Z when terminal is assembled into housing.

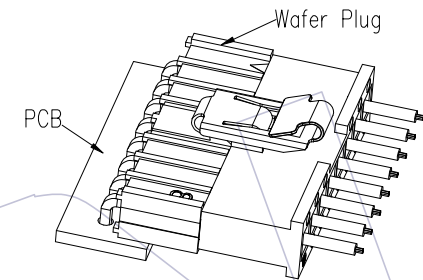


Ordering Information

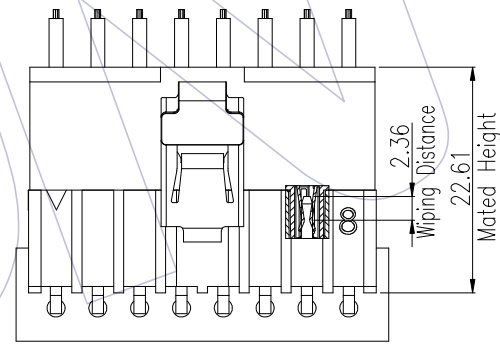
WF 4191 A- 1 H XX W 0 4

Company Code: _____
 Series Code: 419= 4.19mm Pitch
 1= First series
 Specification Code: A=W/T Keyed Polarization
 Blank=W/O Keyed Polarization
 Row Code: 1=Single Row
 2=Double Row
 Wcon Internal Code: _____
 Packing: 1~9
 0=PE Bag(2P~5P)
 T=TUBE(6P~15P)
 Color: W=White
 No. of Pins: 2P~15P
 Type Code: H=Wiring Type

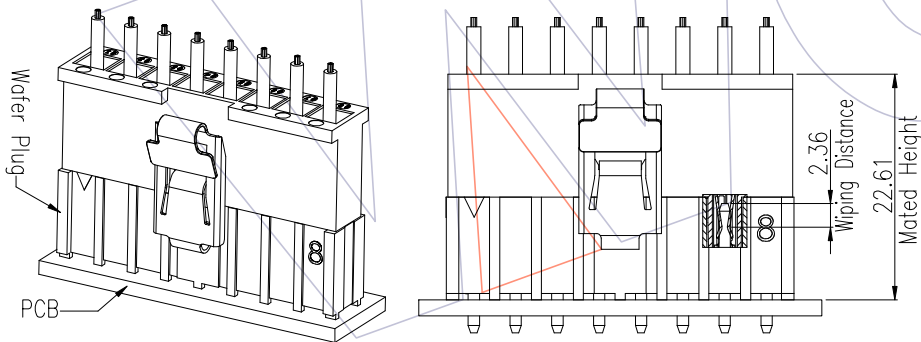
MATING VIEW



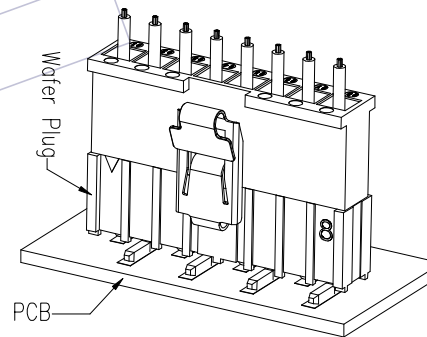
HOUSING	ADAPTATION WAFER
WF4191-1HXXWX4	WF4191-1WRXXXXBX1
	WF4191-1WSXXXXBX1
	WF4191-1WMXXXXBX1
WF4191A-1HXXWX4	WF4191A-1WRXXXXBX1
	WF4191A-1WSXXXXBX1
	WF4191A-1WMXXXXBX1



Plug:(R/A DIP TYPE)



Plug:(S/T DIP TYPE)



Plug:(S/T SMT TYPE)

OPERATION

DRAW

DATE

SCALE

Fit

PART NO.

x.x ±0.40

Andrey

2020/12/09

UNIT

mm

WF4191(A)-1HXXWX4

x.xx ±0.25

CHECK

DATE

SIZE

A4

TITLE:
4.19mm Housing Single Row,
Metal Latch, Crimp Type, Type 2

x.xxx ±0.15

APPROVE

DATE

SHEET

2/3

Customer NO.

Angle ± 3'

DIM TOL

AO 2020/12/09 NEW RELEASE Andrey

REV DATE MODIFICATION DESCRIPTION CHANGE

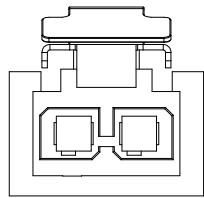
WCON

Http: www.wcon.com

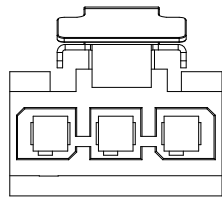
WCON-Dongguan
 Tel: +86 769 85358920
 Fax: +86 769 85358915
 E-mail: sales@wcon.com

WCON-Kunshan
 Tel: +86 512 57468408
 Fax: +86 512 57468468
 E-mail: salesks@wcon.com

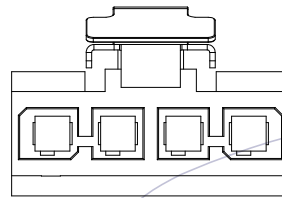
HSF



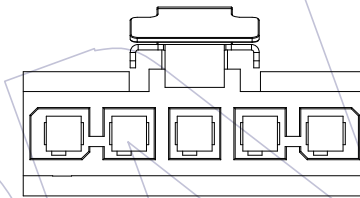
2P



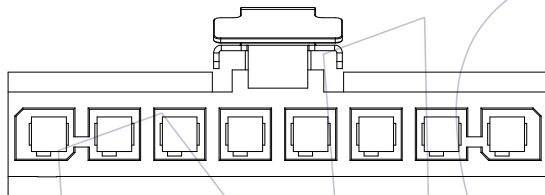
3P



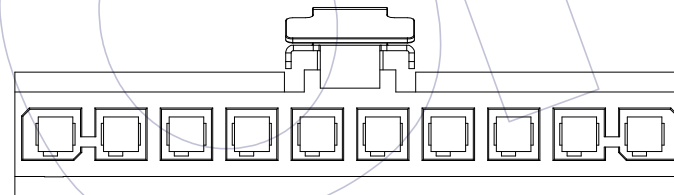
4P



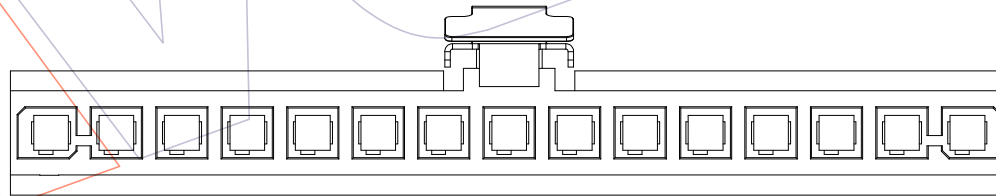
5P



8P



10P



15P

				OPERATION	DRAW	DATE	SCALE	Fit	PART NO.
				x.X ±0.40	Andrey	2020/12/09	UNIT	mm	WF4191(A)-1HXXWX4
				x.XX ±0.25	CHECK	DATE	SIZE	A4	TITLE:
				x.XXX ±0.15	APPROVE	DATE	SHEET	3/3	4.19mm Housing Single Row, Metal Latch, Crimp Type, Type 2
AO	2020/12/09	NEW RELEASE	Andrey	Angle ± 3'			PROJ.	⊕	Customer NO.
REV	DATE	MODIFICATION DESCRIPTION	CHANGE	DIM TOL					

WCON
 Http: www.wcon.com

WCON-Dongguan Tel: +86 769 85358920 Fax: +86 769 85358915 E-mail: sales@wcon.com	WCON-Kunshan Tel: +86 512 57468408 Fax: +86 512 57468468 E-mail: salesks@wcon.com
---	--