

# HSF

**NOTES:**

Current Rating:4.11A/Pin(AT 30°C Rise, 20% Derated)

Voltage Rating:400V/AC

Contact Resistance:20mΩ Max.

Withstand Voltage:1500V AC

Insulation Resistance:1000MΩ Min.

Operation Temperature:-40°C to +105°C

Insulator Material:LCP,G.F,UL94V-0,Black

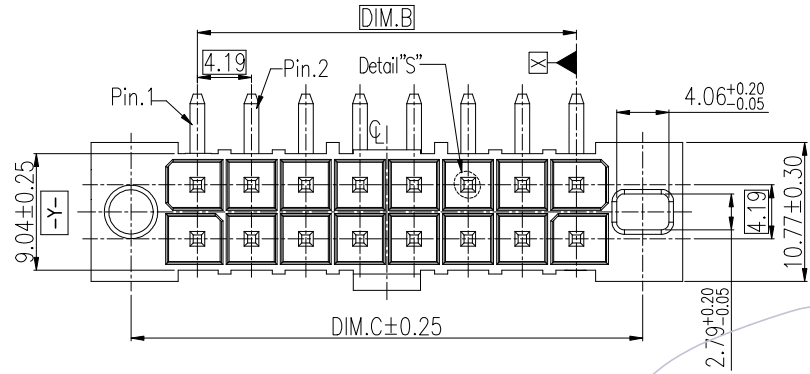
Contact Material:Copper Alloy

Contact plating:

SM: 100u" Matte Tin Over 50u" Nickel

Recommended Process:

IR Stove,Peak temperature:260±5°C



Recommended P.C.B Layout(Top Side)  
(PCB BOARD TOLERANCE±0.05)  
PCB BOARD THICKNESS:1.6~2.0

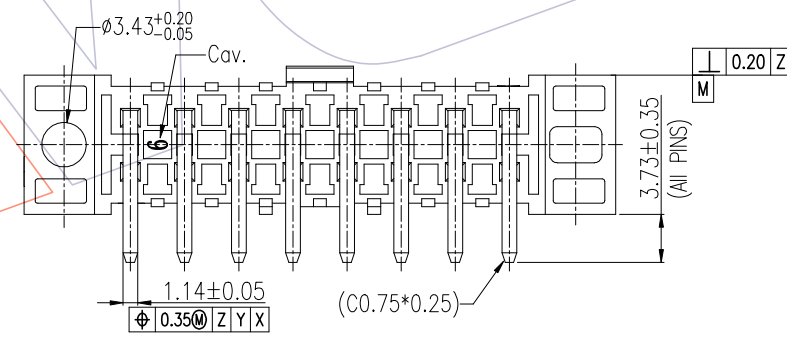
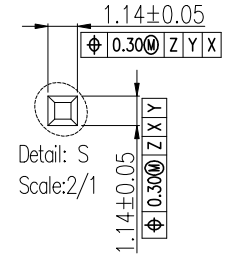
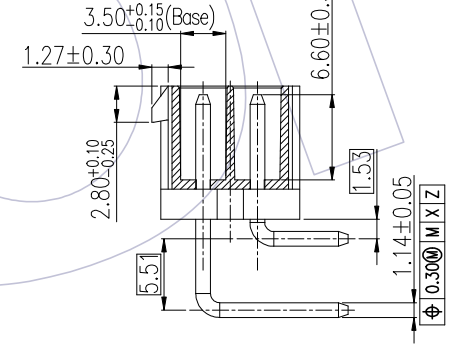
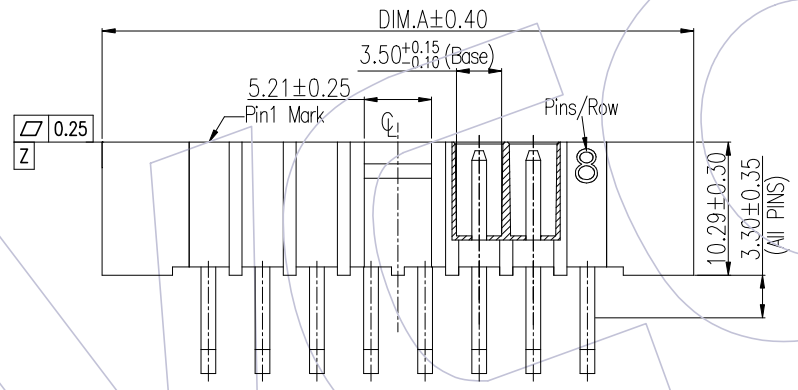
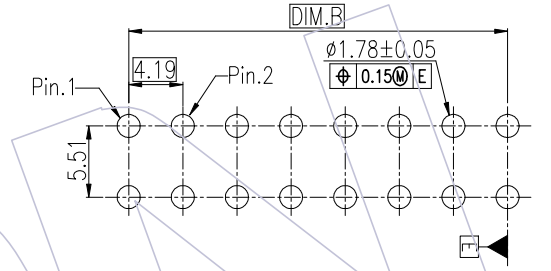


Table.1:

Pin No.	Part No.	DIM.A	DIM.B	DIM.C
2*2P	WF4191D-2WR02XXBX1	20.65	4.19	14.48
2*3P	WF4191D-2WR03XXBX1	24.84	8.38	18.67
2*4P	WF4191D-2WR04XXBX1	29.03	12.57	22.86
2*5P	WF4191D-2WR05XXBX1	33.22	16.76	27.05
2*8P	WF4191D-2WR08XXBX1	45.79	29.33	39.62
2*10P	WF4191D-2WR10XXBX1	54.17	37.71	48.00
2*15P	WF4191D-2WR15XXBXX	75.12	58.66	68.95

REV	DATE	MODIFICATION DESCRIPTION	CHANGE	OPERATION	DRAW	DATE	SCALE	Fit	PART NO.
AO	2020/12/09	NEW RELEASE	Andrey	x.x ±0.40	Andrey	2020/12/09	UNIT	mm	WF4191D-2WRXXXXBX1
				x.xx ±0.25	CHECK	DATE	SIZE	A4	TITLE:
				x.xxx ±0.15	APPROVE	DATE	SHEET	1/4	4.19mm Wafer,Double Row,R/A DIP, DIP Height=3.73mm,W/T Localizable Hole
				Angle ± 3'			PROJ.	φ	Customer NO.
				DIM TOL					

**WCON**  
Http: www.wcon.com

WCON-Dongguan  
Tel: +86 769 85358920  
Fax: +86 769 85358915  
E-mail: sales@wcon.com

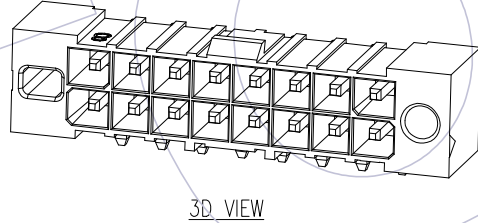
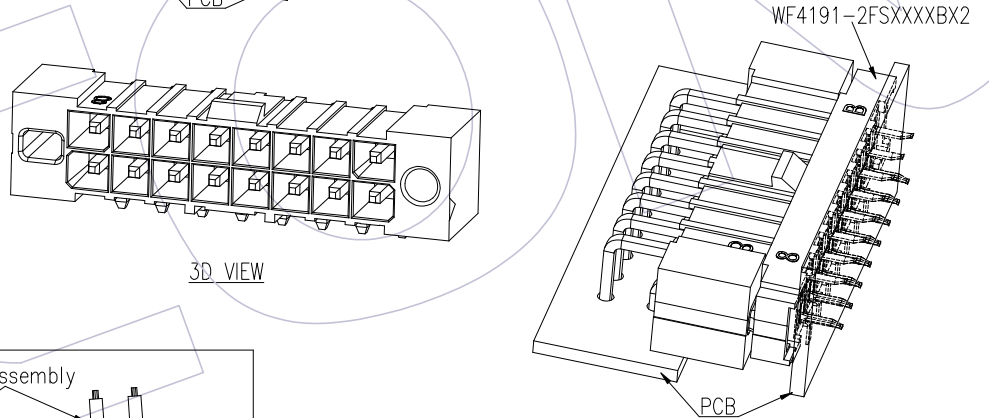
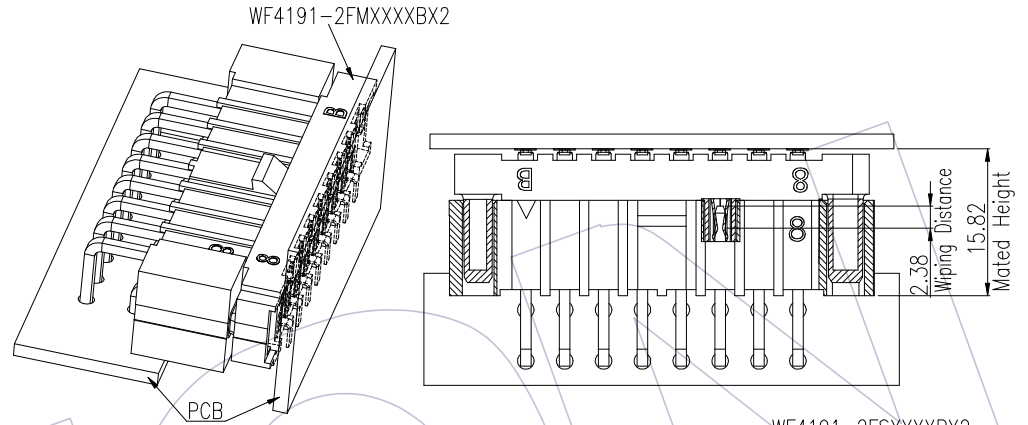
WCON-Kunshan  
Tel: +86 512 57468408  
Fax: +86 512 57468468  
E-mail: salesks@wcon.com

# HSF

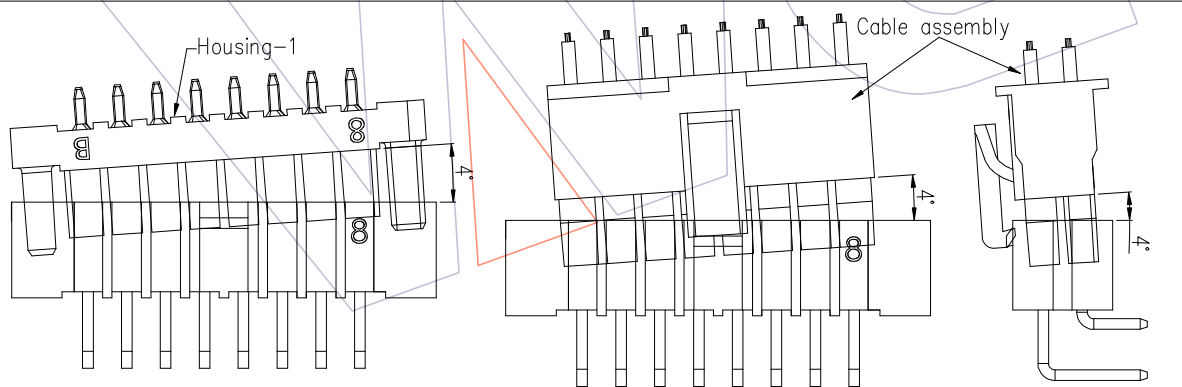
## Ordering Information

**WF 4191 D - 2 WR XX SM B T 1**

Company Code:	Wcon Internal Code:
Series Code:	1~9
419= 4.19mm Pitch	Packing:
1= First series	T=TUBE
Specification Code:	Color:
D=W/T Localizable Hole	B=Black
Row Code:	Contact Plating:
1=Single Row	SM: 100u" Matte Tin
2=Double Row	Over 50u" Nickel
Type Code:	No. of Pins:
WR=90° DIP	2*2P~2*15P



ALLOWED ANGULAR INCLINATION  
TOLERANCES LONGITUDINAL: ±4°



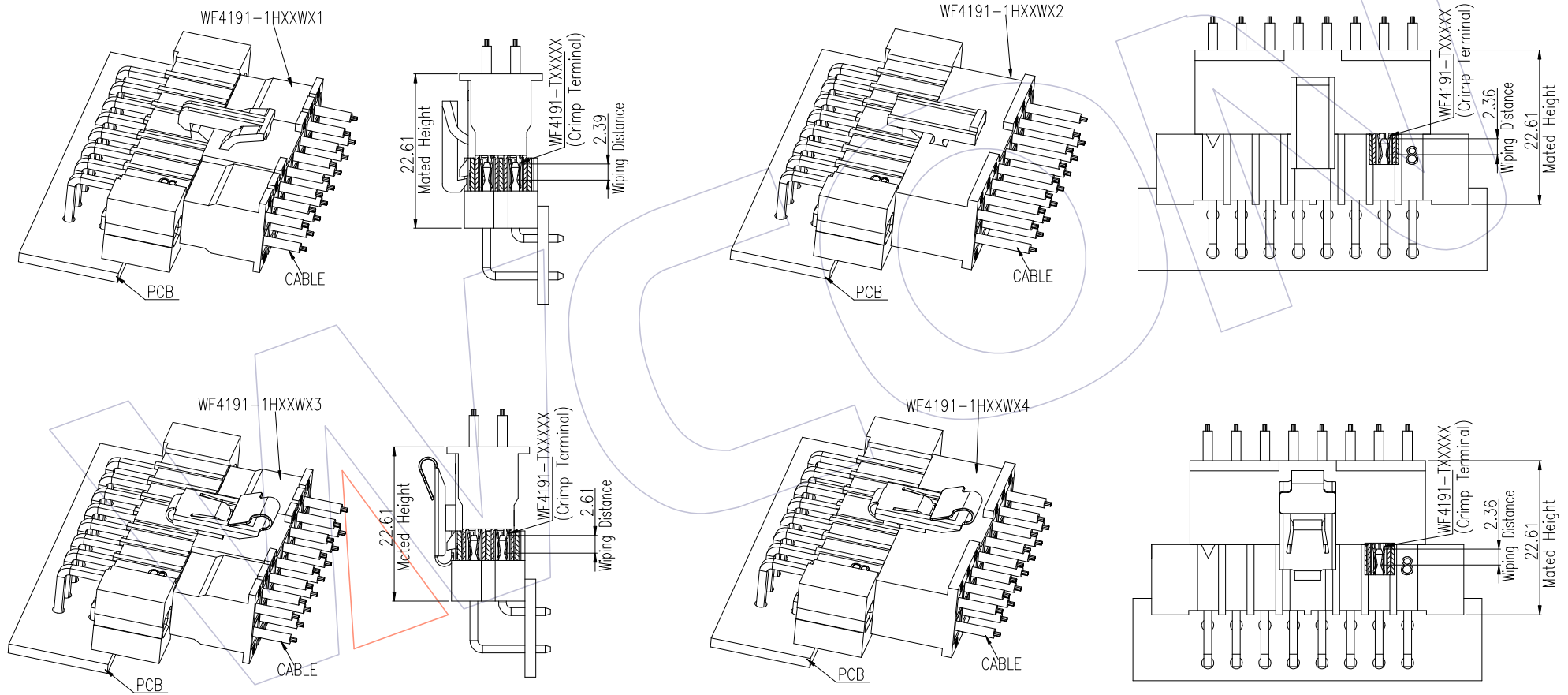
REV	DATE	MODIFICATION DESCRIPTION	CHANGE	OPERATION	DRAW	DATE	SCALE	Fit	PART NO.
AO	2020/12/09	NEW RELEASE	Andrey	x.X ±0.40	Andrey	2020/12/09	UNIT	mm	WF4191D-2WRXXXXBX1
				x.XX ±0.25	CHECK	DATE	SIZE	A4	TITLE:
				x.XXX ±0.15	APPROVE	DATE	SHEET	2/4	4.19mm Wafer, Double Row, R/A DIP, DIP Height=3.73mm, W/T Localizable Hole
				Angle ± 3'			PROJ.	⌀	Customer NO.
				DIM TOL					

# WCON

Http: www.wcon.com

WCON-Dongguan Tel: +86 769 85358920 Fax: +86 769 85358915 E-mail: sales@wcon.com	WCON-Kunshan Tel: +86 512 57468408 Fax: +86 512 57468468 E-mail: salesks@wcon.com
---	--

# HSF



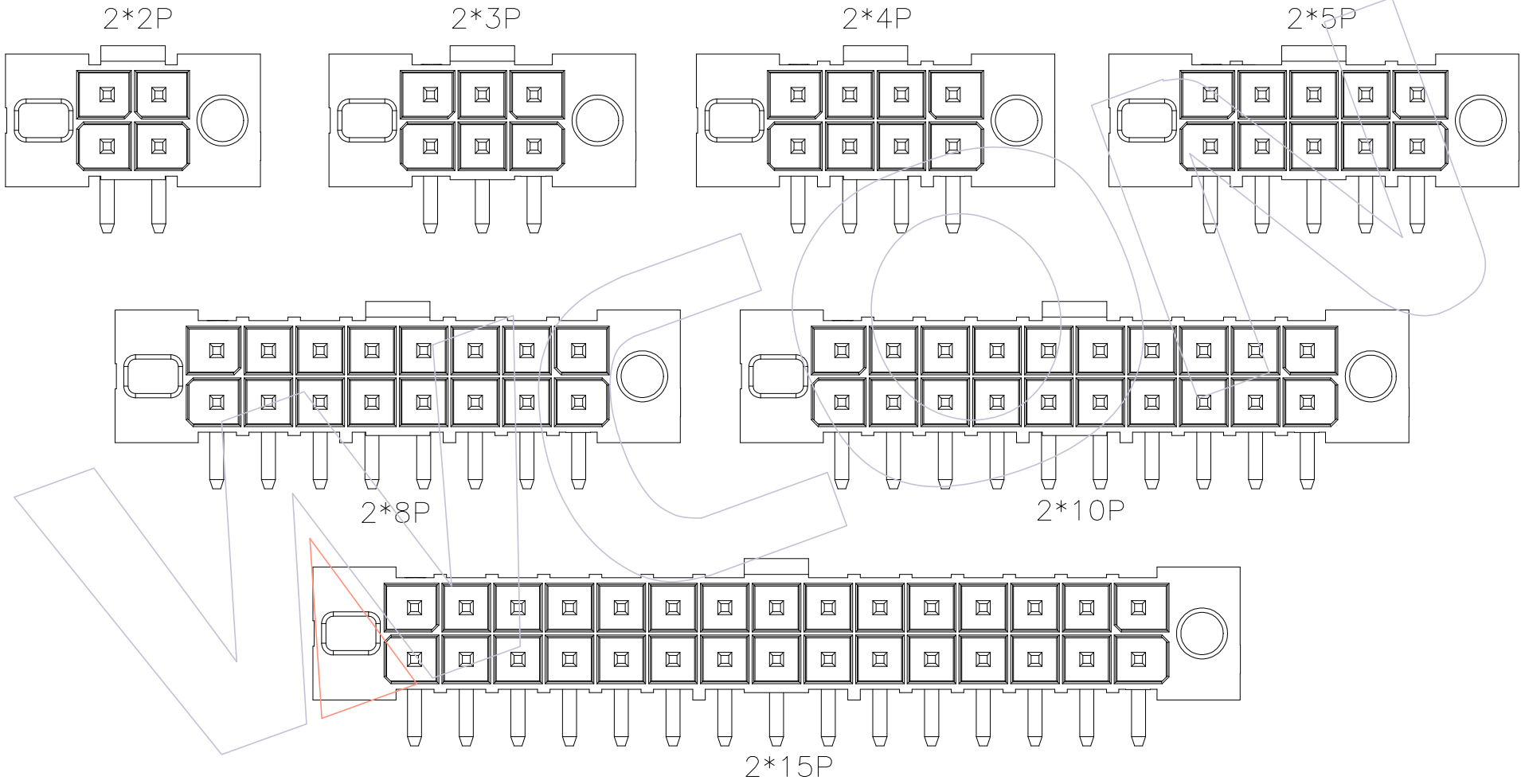
REV	DATE	MODIFICATION DESCRIPTION	CHANGE	OPERATION	DRAW	DATE	SCALE	Fit	PART NO.
AO	2020/12/09	NEW RELEASE	Andrey	x.x ±0.40	Andrey	2020/12/09	UNIT	mm	WF4191D-2WRXXXXBX1
				x.xx ±0.25	CHECK	DATE	SIZE	A4	TITLE:
				x.xxx ±0.15	APPROVE	DATE	SHEET	3/4	4.19mm Wafer, Double Row, R/A DIP, DIP Height=3.73mm, W/T Localizable Hole
				Angle ± 3'			PROJ.	⌀	Customer NO.
				DIM TOL					

## WCON

Http: [www.wcon.com](http://www.wcon.com)

WCON-Dongguan Tel: +86 769 85358920 Fax: +86 769 85358915 E-mail: <a href="mailto:sales@wcon.com">sales@wcon.com</a>	WCON-Kunshan Tel: +86 512 57468408 Fax: +86 512 57468468 E-mail: <a href="mailto:salesks@wcon.com">salesks@wcon.com</a>
---	--

# HSF



				OPERATION	DRAW	DATE	SCALE	Fit	PART NO.
				x.X ±0.40	Andrey	2020/12/09	UNIT	mm	WF4191D-2WRXXXBX1
				x.XX ±0.25	CHECK	DATE	SIZE	A4	TITLE:
AO	2020/12/09	NEW RELEASE	Andrey	x.XXX ±0.15	APPROVE	DATE	SHEET	4/4	4.19mm Wafer, Double Row, R/A DIP, DIP Height=3.73mm, W/T Localizable Hole
REV	DATE	MODIFICATION DESCRIPTION	CHANGE	Angle ± 3'			PROJ.	Customer NO.	
				DIM TOL					

**WCON**  
 Http: [www.wcon.com](http://www.wcon.com)

WCON-Dongguan  
 Tel: +86 769 85358920  
 Fax: +86 769 85358915  
 E-mail: [sales@wcon.com](mailto:sales@wcon.com)

WCON-Kunshan  
 Tel: +86 512 57468408  
 Fax: +86 512 57468468  
 E-mail: [salesks@wcon.com](mailto:salesks@wcon.com)