

HSF

Ordering Information

6326- 050 S 00 M 0 OX \triangle A1

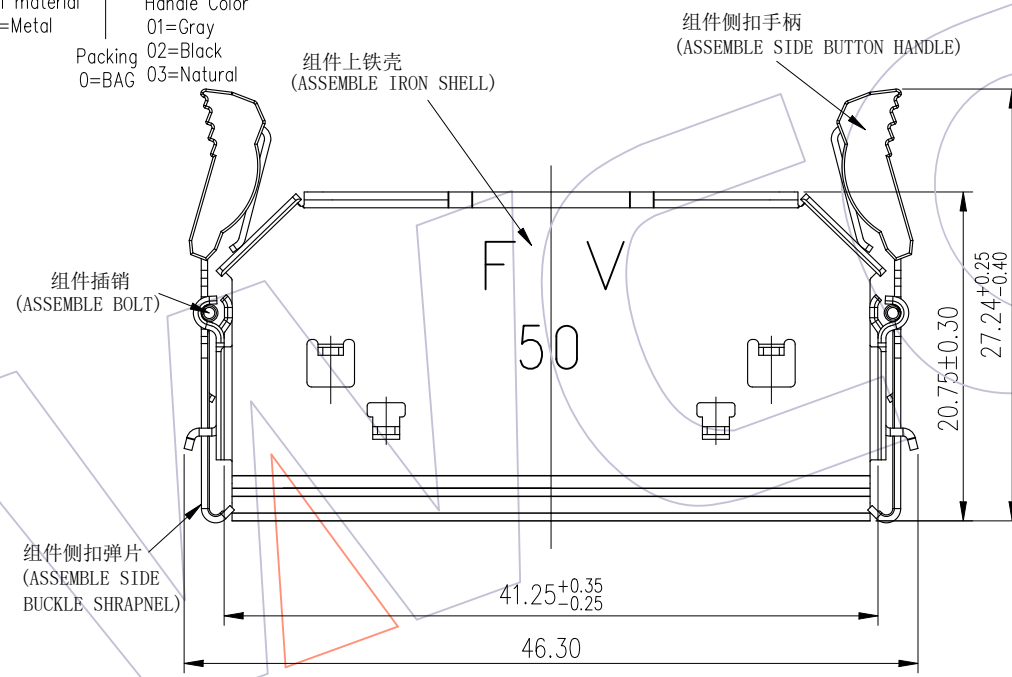
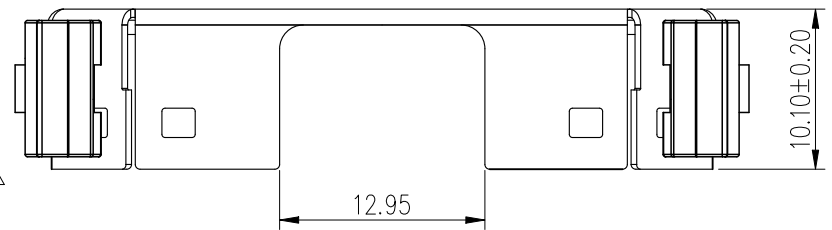
NO. of pins
50P

Contact Plating
00=NO contact

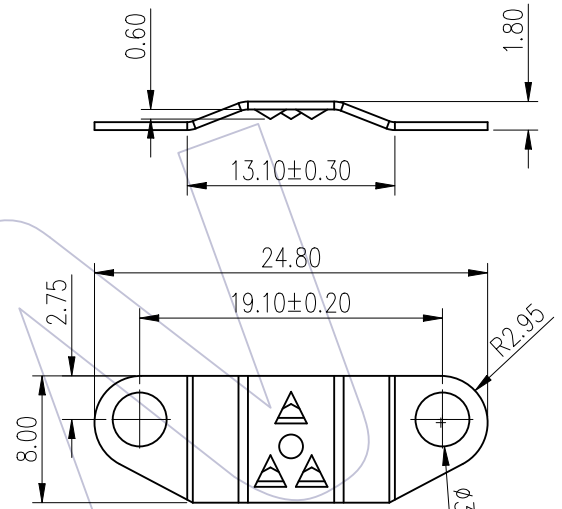
Shell material
M=Metal

Packing
0=BAG 03=Natural

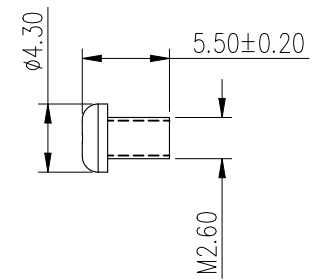
Handle Color
01=Gray
02=Black
03=Natural



上铁壳组合件
(UPPER IRON SHEEL ASSEMBLIES)



组件线夹
(ASSEMBLE CLAMP)



组件螺丝
(ASSEMBLE SCREW)

REV	DATE	MODIFICATION DESCRIPTION	CHANGE	OPERATION		DRAW	DATE	SCALE	FIT	PART NO.
				Angle	TOL					
A1	2021/11/20	Modify P/N	XSR	x.x	±0.40	XSR	2021/11/20	UNIT	mm	6326-050S00M00X \triangle A1
A0	2019/04/19	NEW	/	x.xx	±0.25	CHECK	DATE	SIZE	A4	
				x.xxx	±0.15	APPROVE	DATE	SHEET	1/2	TITLE: SCSI ASSEMBLE(50Pin) (7PCS)
								PROJ.	ϕ	Customer NO.

WCON
Http: www.wcon.com

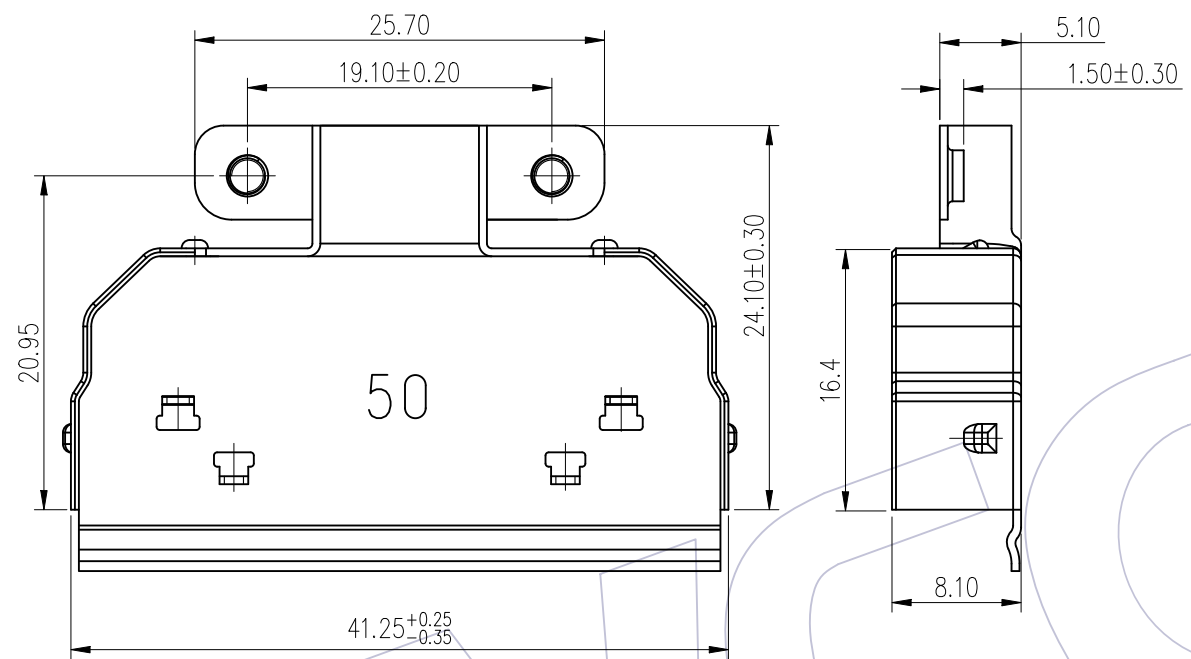
WCON-Dongguan
Tel: +86 769 85358920
Fax: +86 769 85358915
E-mail: sales@wcon.com

WCON-Kunshan
Tel: +86 512 57468408
Fax: +86 512 57468468
E-mail: sales@wcon.com

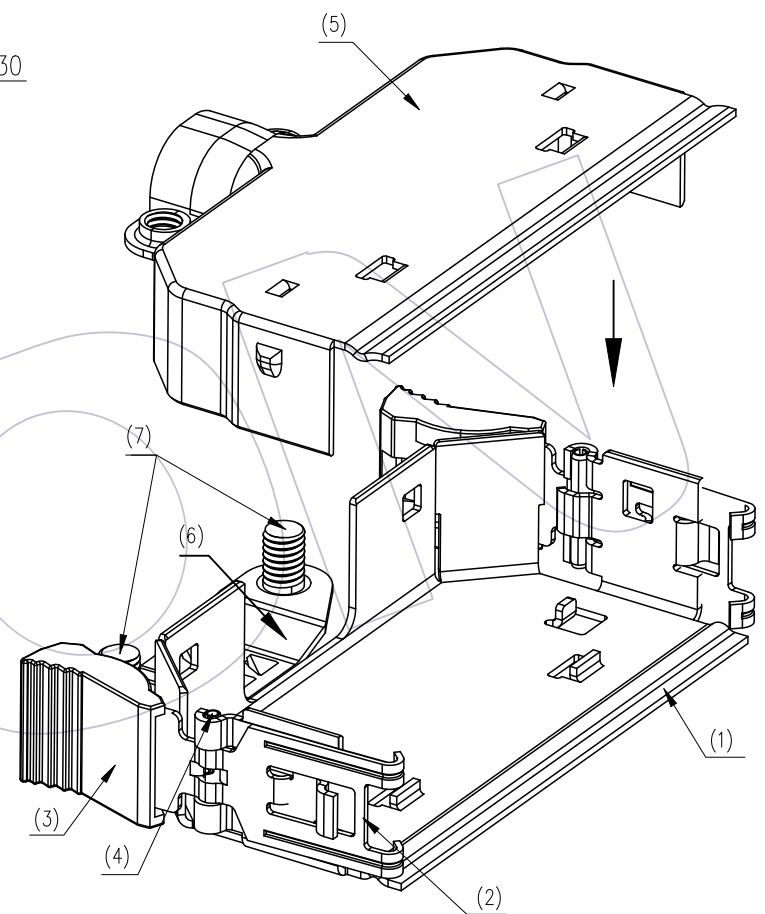
H

H

HSF



组件下铁壳
(ASSEMBLE LOWER IRON SHELL)



3D组装示意图
3D ASSEMBLY SKETCH

ITEM	Descriptionn	Part Number	Q'TY	Materials
(7)	SCREW	L6326-SNI01	2	C1018A Plating Ni
(6)	CLAMP	B6326-050PNI01	1	C5191-H,T=0.5 Plating Ni
(5)	LOWER IRON SHELL	M6326-050DNI02	1	SPCC,T=0.5,Plating Ni
(4)	BOLT	I6326-SM001	2	SUS301
(3)	SIDE BUTTON HANDLE	G6326-XJ01	2	PC+ABS Black/Gray/Natural
(2)	SIDE BUCKLE SHRAPNEL	K6326-SM001A	2	SUS301
(1)	UPPER IRON SHELL	M6326-050DNI01	1	SPCC,T=0.5,Plating Ni

REV	DATE	MODIFICATION DESCRIPTION	CHANGE
A1	2021/11/20	Modify P/N	XSR
A0	2019/04/19	NEW	/

OPERATION	DRAW	DATE	SCALE	FIT	PART NO.
X.X ±0.40	XSR	2021/11/20	UNIT mm		6326-050S00M00X Δ 1
X.XX ±0.25	CHECK	DATE	SIZE A4		TITLE: SCSI ASSEMBLE(50Pin) (7PCS)
X.XXX ±0.15	APPROVE	DATE	SHEET 2/2		Customer NO.
Angle ± 3°			PROJ.		
DIM TOL					

--	--	--	--	--	--

WCON
Http: www.wcon.com

WCON-Dongguan Tel: +86 769 85358920 Fax: +86 769 85358915 E-mail: sales@wcon.com	WCON-Kunshan Tel: +86 512 57468408 Fax: +86 512 57468468 E-mail: sales@wcon.com
---	--