

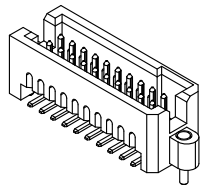
# HSF

NOTES:  
 Current Rating: 3.2AMP Per Pin(2 Pins Powered)  
 Voltage Rating: 250VAC  
 Contact Resistance: 30mΩ Max  
 Withstand Voltage: 750V AC  
 Insulation Resistance: 1000MΩ Min  
 Operation Temperature: -55℃ to +125℃  
 Contact Material: Copper Alloy  
 Contact plating:

xxu" Gold On Contact Area, (See Ordering Information)  
 100u" Matte Tin On Solder Area  
 50u" Nickel Underplating Overall  
 Insulator And Cap Material: LCP,G.F,UL94V-0,Black

Recommended Process:  
 Wave Soldering, Peak Temperature: 260±5℃  
 For 10+/-1s

VOID ON HOUSING SIDE,  
 JUST APPLIED FOR  
 LEAD STYLE -02



3D VIEW

TABLE 1

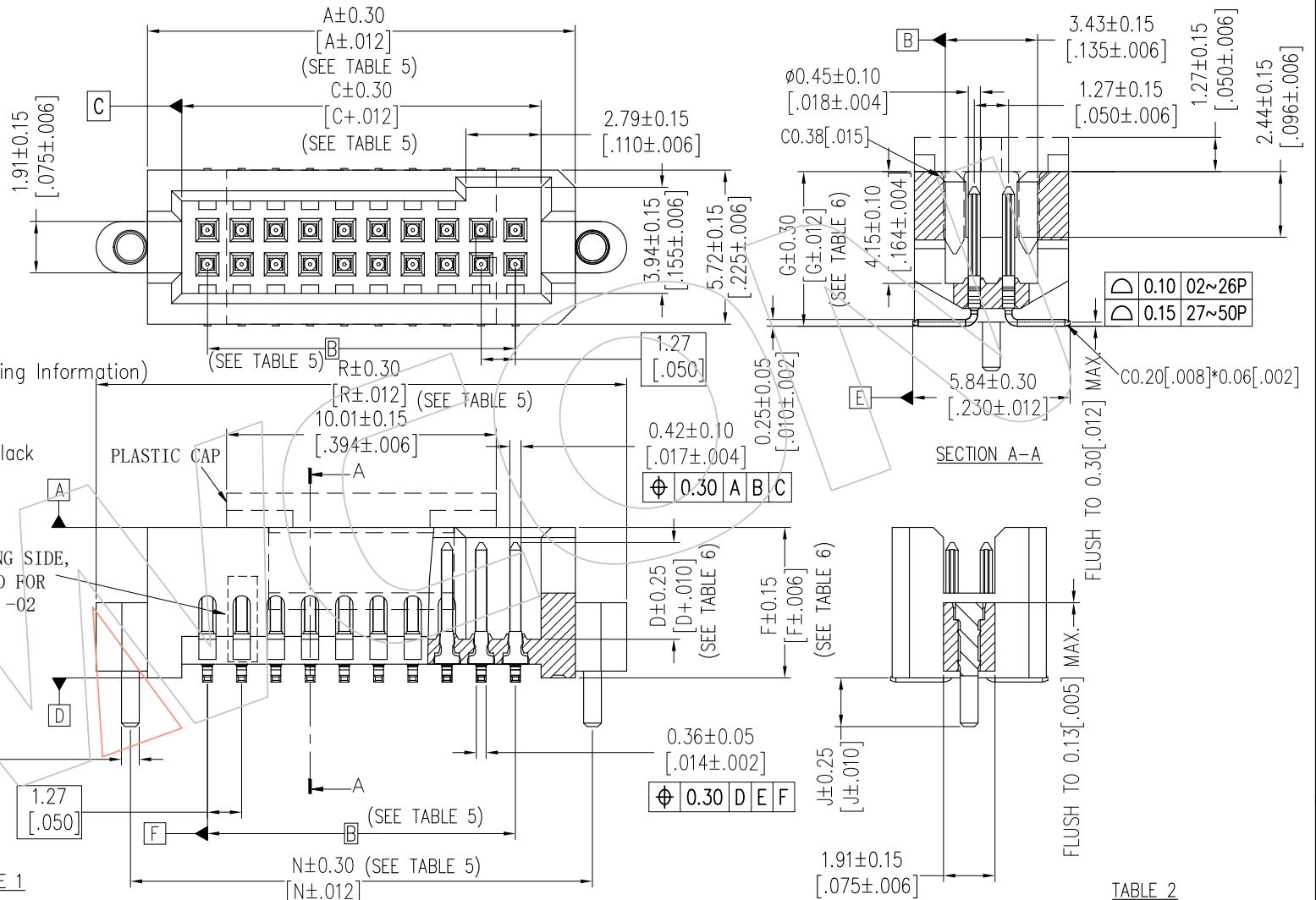
| Item        | Pitch      | Mating |
|-------------|------------|--------|
| Standard    | 1.27[.050] | 3601-S |
| Alternative |            |        |

FIG. 1

SURFACE MOUNT  
 LEAD STYLE: SEE TABLE 5

TABLE 2

| Part Number         | Dim.J      | WELD TAB    |
|---------------------|------------|-------------|
| 3601-PXXX-EX1XXXX01 | 2.06[.081] | M3601-PXX03 |
| 3601-PXXX-EX1XXXX11 | 2.92[.115] | M3601-PXX04 |



A±0.30  
 [A±.012]  
 (SEE TABLE 5)  
 C±0.30  
 [C±.012]  
 (SEE TABLE 5)

1.27  
 [.050]  
 R±0.30  
 [R±.012] (SEE TABLE 5)  
 10.01±0.15  
 [.394±.006]

0.36±0.05  
 [.014±.002]  
 Ø 0.30 D E F

|      |        |
|------|--------|
| 0.10 | 02~26P |
| 0.15 | 27~50P |

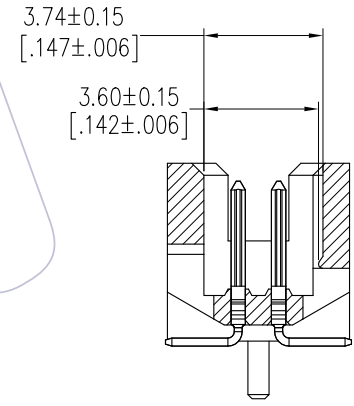
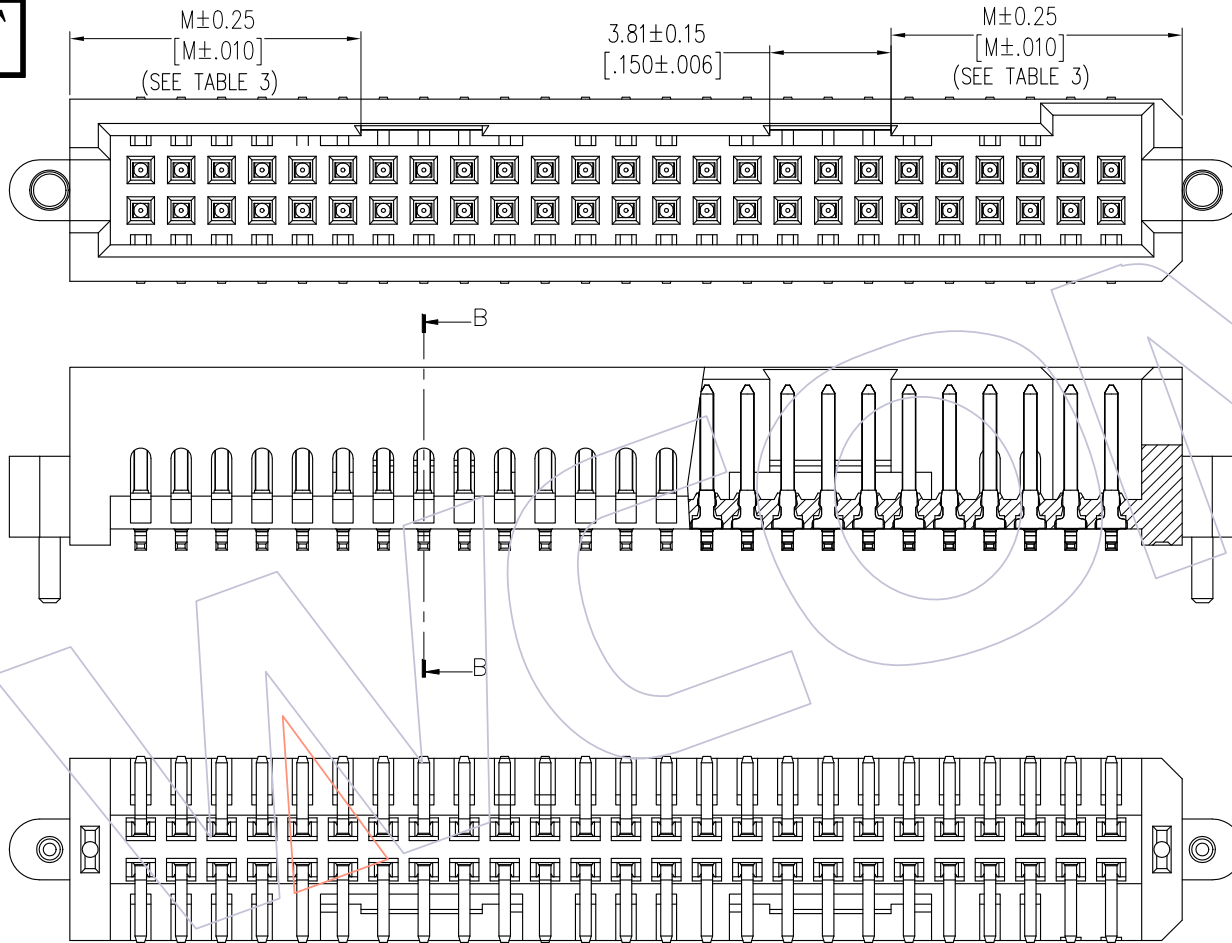
| REV | DATE       | MODIFICATION DESCRIPTION                  | CHANGE      | OPERATION   | DRAW        | DATE       | SCALE | FIT | PART NO.   |
|-----|------------|---|-------------|-------------|-------------|------------|-------|-----|--|
| A1  | 2021/07/22 | ADD THE PIN NUMBLE DESCRIPTION IN TABLE 3 | YE XIAOBING | x.x ±0.40   | YE XIAOBING | 2021/07/22 | UNIT  | mm  | 3601-PXXX-EX1MXXXX1  |
| AO  | 2020/12/05 | NEW                                       | Orwell      | x.xx ±0.25  | CHECK       | DATE       | SIZE  | A4  | TITLE:<br>1.27mm BTB Male Header<br>W=5.72, -SN STYLE, SMT |
|     |            |   |             | x.xxx ±0.15 |             |            | SHEET | 1/7 | Customer NO.   |
|     |            |   |             | Angle ± 3°  | APPROVE     | DATE       | PROJ. |     |  |
|     |            |   |             | DIM TOL     |             |            |       |     |  |

**WCON**  
 Http: www.wcon.com

WCON-Dongguan  
 Tel: +86 769 85358920  
 Fax: +86 769 85358915  
 E-mail: sales@wcon.com

WCON-Kunshan  
 Tel: +86 512 57468408  
 Fax: +86 512 57468468  
 E-mail: salesks@wcon.com

**HSF**



SECTION B-B

TABLE 3

| NO. OF POS.        | Dim.M      |
|--------------------|------------|
| EVEN(EXCEPT 08)    | 7.87[.310] |
| ODD(EXCEPT 05, 07) | 9.14[.360] |
| 05, 07, 08         | 2.87[.113] |

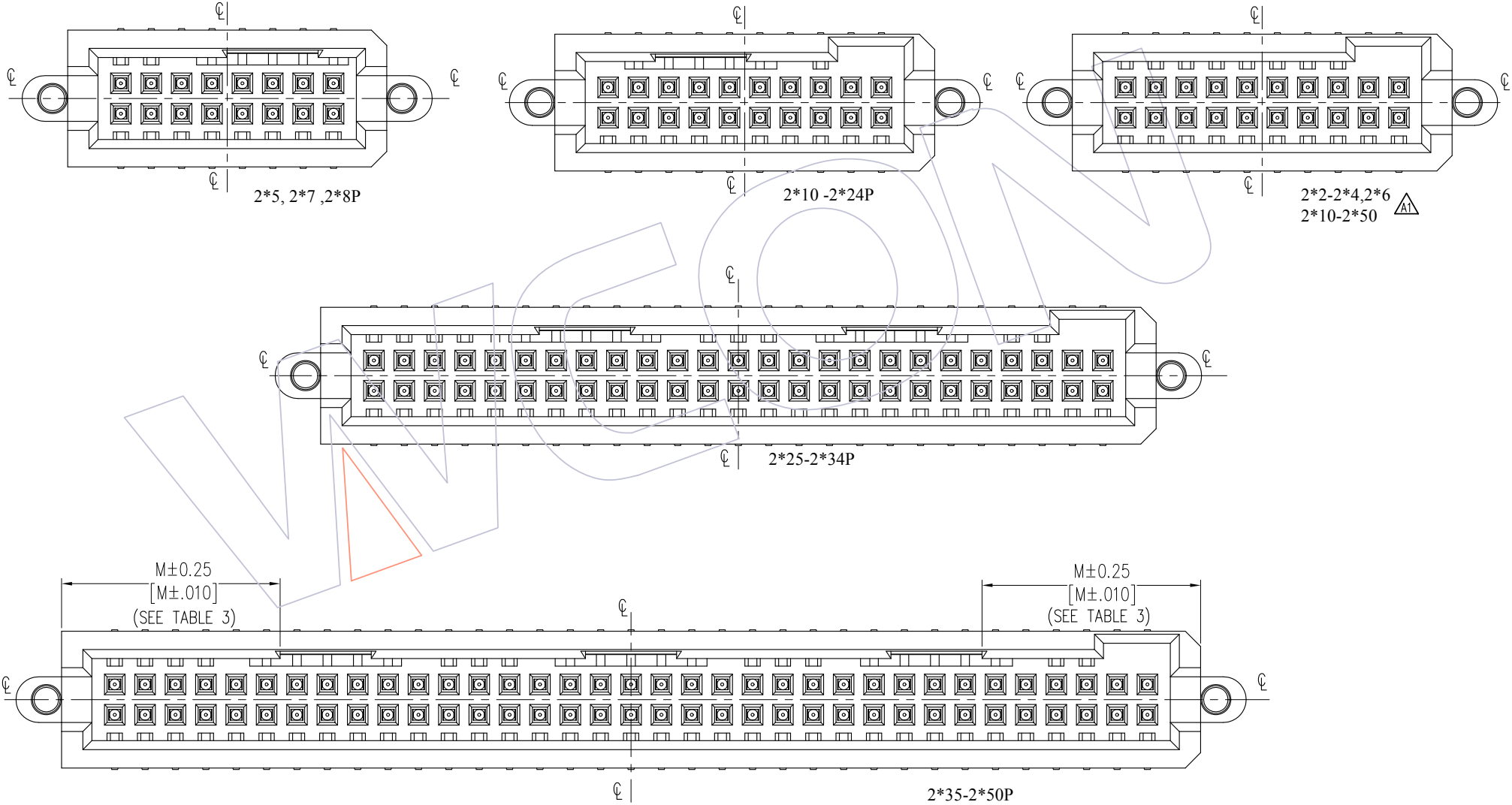
FIG. 2  
HOUSING WITH LOCKING  
POSITION 25 PER ROW  
(SAME AS FIG.1, DIFFERENT AS SHOWN)

| REV | DATE       | MODIFICATION DESCRIPTION                  | CHANGE      | OPERATION   | DRAW        | DATE       | SCALE | FIT | PART NO.   |
|-----|------------|---|-------------|-------------|-------------|------------|-------|-----|--|
| A1  | 2021/07/22 | ADD THE PIN NUMBLE DESCRIPTION IN TABLE 3 | YE XIAOBING | x.x ±0.40   | YE XIAOBING | 2021/07/22 | UNIT  | mm  | 3601-PXXX-EX1MXXX1   |
| AO  | 2020/12/05 | NEW                                       | Orwell      | x.xx ±0.25  | CHECK       | DATE       | SIZE  | A4  | TITLE:<br>1.27mm BTB Male Header<br>W=5.72, -SN STYLE, SMT |
|     |            |   |             | x.xxx ±0.15 | APPROVE     | DATE       | SHEET | 2/7 | Customer NO.   |
|     |            |   |             | Angle ± 3°  |             |            | PROJ. |     |  |
|     |            |   |             | DIM TOL     |             |            |       |     |  |

**WCON**  
Http: www.wcon.com

|   |  |
|---|--|
| WCON-Dongguan<br>Tel: +86 769 85358920<br>Fax: +86 769 85358915<br>E-mail: sales@wcon.com | WCON-Kunshan<br>Tel: +86 512 57468408<br>Fax: +86 512 57468468<br>E-mail: salesks@wcon.com |
|---|--|

# HSF



| REV | DATE       | MODIFICATION DESCRIPTION                  | CHANGE      | OPERATION   | DRAW        | DATE       | SCALE | FIT    | PART NO.   |
|-----|------------|---|-------------|-------------|-------------|------------|-------|--------|--|
| A1  | 2021/07/22 | ADD THE PIN NUMBLE DESCRIPTION IN TABLE 3 | YE XIAOBING | x.x ±0.40   | YE XIAOBING | 2021/07/22 | UNIT  | mm     | 3601-PXXX-EX1MXXXX1  |
| AO  | 2020/12/05 | NEW                                       | Orwell      | x.xx ±0.25  | CHECK       | DATE       | SIZE  | A4     | TITLE:<br>1.27mm BTB Male Header<br>W=5.72, -SN STYLE, SMT |
|     |            |   |             | x.xxx ±0.15 |             |            | SHEET | 3/7    | Customer NO.   |
|     |            |   |             | Angle ± 3°  | APPROVE     | DATE       | PROJ. | $\phi$ |  |
|     |            |   |             | DIM TOL     |             |            |       |        |  |

**WCON**  
Http: www.wcon.com

WCON-Dongguan  
Tel: +86 769 85358920  
Fax: +86 769 85358915  
E-mail: sales@wcon.com

WCON-Kunshan  
Tel: +86 512 57468408  
Fax: +86 512 57468468  
E-mail: salesks@wcon.com

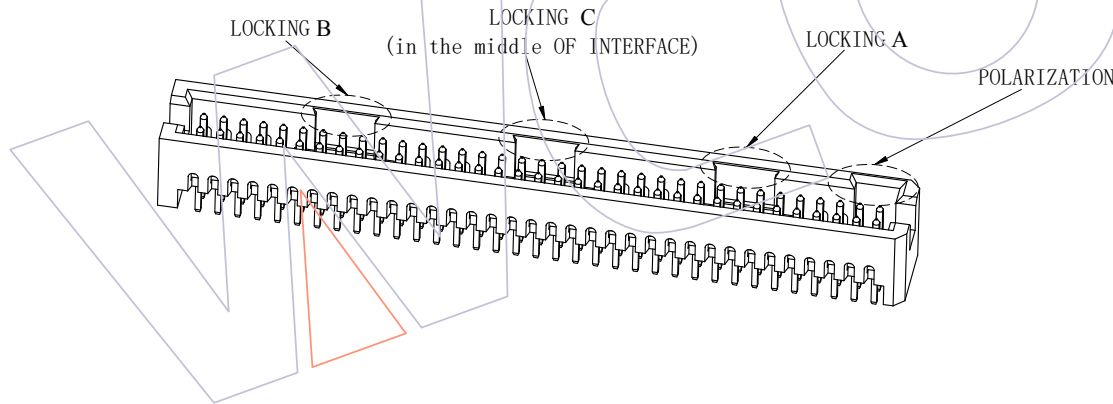
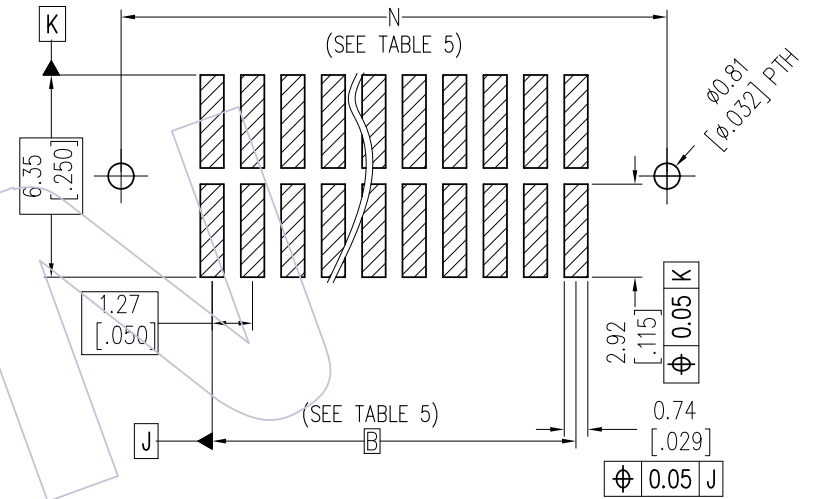
# HSF


TABLE 3

| No. | Pin Number (Per Row) | POLARIZATION | BUMP LOCKING A | BUMP LOCKING B | BUMP LOCKING C |
|-----|----------------------|--------------|----------------|----------------|----------------|
| 3   | 2*5,2*7,2*8          | NO           | YES            | NO             | NO             |
| 2   | 2*10-2*24            | YES          | YES            | NO             | NO             |
| 2   | 2*25-2*34            | YES          | YES            | YES            | NO             |
| 2   | 2*35-2*50            | YES          | YES            | YES            | YES            |
| 1   | 2*10-2*50            | YES          | NO             | NO             | NO             |
| 1   | 2*2-2*4,2*6          | YES          | NO             | NO             | NO             |



Recommended P.C.B Layout(Top Side)  
(PCB BOARD TOLERANCE±0.05)



| REV | DATE       | MODIFICATION DESCRIPTION                  | CHANGE      | OPERATION   | DRAW        | DATE       | SCALE | FIT | PART NO.   | <br>Http: www.wcon.com |
|-----|------------|---|-------------|-------------|-------------|------------|-------|-----|--|---|
| A1  | 2021/07/22 | ADD THE PIN NUMBLE DESCRIPTION IN TABLE 3 | YE XIAOBING | x.x ±0.40   | YE XIAOBING | 2021/07/22 | UNIT  | mm  | 3601-PXXX-EX1MXXXX1  |   |
| AO  | 2020/12/05 | NEW                                       | Orwell      | x.xx ±0.25  | CHECK       | DATE       | SIZE  | A4  | TITLE:<br>1.27mm BTB Male Header<br>W=5.72, -SN STYLE, SMT | WCON-Kunshan<br>Tel: +86 512 57468408<br>Fax: +86 512 57468468<br>E-mail: salesks@wcon.com                  |
|     |            |   |             | x.xxx ±0.15 |             |            | SHEET | 4/7 | Customer NO.   |   |
|     |            |   |             | Angle ± 3°  | APPROVE     | DATE       | PROJ. |     |  |   |
|     |            |   |             | DIM TOL     |             |            |       |     |  |   |

# HSF

## Ordering Information

3601 - P XXX- E X X M XX X X1

No. Of Pins:  
04-100Pin  
(See Table 5)

Housing Locking:  
1=Without Locking+ Notch  
2=With Locking+Notch  
3=With Locking+No Notch  
(SEE TABLE 4)

Housing Height:  
1=5.588mm,  
(See Table 6)

Internal Code:  
0= Weld Tab  
Tail Length 2.06mm  
1= Weld Tab  
Tail Length 2.92mm  
(See Table 2)

Packaging :  
R=Tape & Reel+ Cap  
T=Tube  
P=Tube + Cap

Contact Plating:  
W2=5u" Gold/Matte Tin,  
W3=10u" Gold/Matte Tin,  
W4=15u" Gold/Matte Tin,  
W5=30u" Gold/Matte Tin,

TABLE 5:

| PIN No.(HOUSING WITH LOCKING) | PIN No.(HOUSING WITHOUT LOCKING) | Part Number        | DIM.A        | DIM.B        | DIM.C        | DIM.N        | DIM.R        |
|-------------------------------|----------------------------------|--------------------|--------------|--------------|--------------|--------------|--------------|
| NA                            | 04                               | 3601-P004-EX1MXXX1 | 5.72[.225]   | 1.27[.050]   | 3.18[.125]   | 6.99[.275]   | 9.53[.375]   |
| NA                            | 06                               | 3601-P006-EX1MXXX1 | 6.99[.275]   | 2.54[.100]   | 4.45[.175]   | 8.26[.325]   | 10.80[.425]  |
| NA                            | 08                               | 3601-P008-EX1MXXX1 | 8.26[.325]   | 3.81[.150]   | 5.72[.225]   | 9.53[.375]   | 12.07[.475]  |
| 10                            | 10                               | 3601-P010-DX1MXXX1 | 9.53[.375]   | 5.08[.200]   | 6.99[.275]   | 10.80[.425]  | 13.34[.525]  |
| NA                            | 12                               | 3601-P012-DX1MXXX1 | 10.80[.425]  | 6.35[.250]   | 8.26[.325]   | 12.07[.475]  | 14.61[.575]  |
| 14                            | 14                               | 3601-P014-DX1MXXX1 | 12.07[.475]  | 7.62[.300]   | 9.53[.375]   | 13.34[.525]  | 15.88[.625]  |
| 16                            | 16                               | 3601-P016-DX1MXXX1 | 13.34[.525]  | 8.89[.350]   | 10.80[.425]  | 14.61[.575]  | 17.15[.675]  |
| 20                            | 20                               | 3601-P020-DX1MXXX1 | 15.88[.625]  | 11.43[.450]  | 13.34[.525]  | 17.15[.675]  | 19.69[0.775] |
| 30                            | 30                               | 3601-P030-DX1MXXX1 | 22.23[.875]  | 17.78[.700]  | 19.69[.775]  | 23.50[.925]  | 26.04[1.025] |
| 40                            | 40                               | 3601-P040-DX1MXXX1 | 28.58[1.125] | 24.13[.950]  | 26.04[1.025] | 29.85[1.175] | 32.39[1.275] |
| 50                            | 50                               | 3601-P050-DX1MXXX1 | 34.93[1.375] | 30.48[1.200] | 32.39[1.275] | 36.20[1.425] | 38.74[1.525] |
| 60                            | 60                               | 3601-P060-DX1MXXX1 | 41.28[1.625] | 36.83[1.450] | 38.74[1.525] | 42.55[1.675] | 45.09[1.775] |
| 70                            | 70                               | 3601-P070-DX1MXXX1 | 47.63[1.875] | 43.18[1.700] | 45.09[1.775] | 48.90[1.925] | 51.44[2.025] |
| 80                            | 80                               | 3601-P080-DX1MXXX1 | 53.98[2.125] | 49.53[1.950] | 51.44[2.025] | 55.25[2.175] | 57.79[2.275] |
| 90                            | 90                               | 3601-P090-DX1MXXX1 | 60.33[2.375] | 55.88[2.200] | 57.79[2.275] | 61.60[2.425] | 64.14[2.525] |
| 100                           | 100                              | 3601-P100-DX1MXXX1 | 66.68[2.625] | 62.23[2.450] | 64.14[2.525] | 67.95[2.675] | 70.49[2.775] |

TABLE 6:

| LEAD STYLE | Part Number        | DIM.F        | DIM.D      | DIM.E | DIM.G      | Overall Length For Pin(Short) |
|------------|--------------------|--------------|------------|-------|------------|-------------------------------|
| -02        | 3601-PXXX-EX1MXXX1 | 5.588[.2200] | 3.59[.142] | NA    | 5.74[.226] | 7.12[.280]                    |

| REV | DATE       | MODIFICATION DESCRIPTION                  | CHANGE      | OPERATION |       | DRAW    | DATE | SCALE | FIT | PART NO.           | TITLE:   | WCON                   |                          |
|-----|------------|---|-------------|-----------|-------|---------|------|-------|-----|--------------------|--|------------------------|--------------------------|
|     |            |   |             | x.x       | ±0.40 |         |      |       |     |                    |  | YE XIAOBING            | 2021/07/22               |
| A1  | 2021/07/22 | ADD THE PIN NUMBLE DESCRIPTION IN TABLE 3 | YE XIAOBING | x.xx      | ±0.25 | CHECK   | DATE | SIZE  | A4  | 3601-PXXX-EX1MXXX1 | 1.27mm BTB Male Header<br>W=5.72, -SN STYLE, SMT | Tel: +86 769 85358920  | Tel: +86 512 57468408    |
| AO  | 2020/12/05 | NEW                                       | Orwell      | x.xxx     | ±0.15 | APPROVE | DATE | SHEET | 5/7 |                    |  | Fax: +86 769 85358915  | Fax: +86 512 57468468    |
|     |            |   |             | Angle     | ± 3'  |         |      | PROJ. |     | Customer NO.       |  | E-mail: sdles@wcon.com | E-mail: sdlesks@wcon.com |

# WCON

Http: www.wcon.com

WCON-Dongguan  
Tel: +86 769 85358920  
Fax: +86 769 85358915  
E-mail: sdles@wcon.com

WCON-Kunshan  
Tel: +86 512 57468408  
Fax: +86 512 57468468  
E-mail: sdlesks@wcon.com

# HSF

TABLE 7:

| 3601-PM<br>LEAD STYLE | -02 | ASS'Y HIGH(H)      |            | MALE       | FEMALE     | WIPE           |                |
|-----------------------|-----|--------------------|------------|------------|------------|----------------|----------------|
|                       |     | 3601-SS LEAD STYLE |            | H1         | H2         | FULLY<br>MATED | MIN<br>@ H MAX |
|                       |     | -01, -03           |            |            |            |                |                |
|                       |     | FULLY MATED        | MAX        |            |            |                |                |
|                       |     | 6.17[.243]         | 6.63[.261] | 5.74[.226] | 4.57[.180] | 0.84[.033]     | 0.38[.015]     |

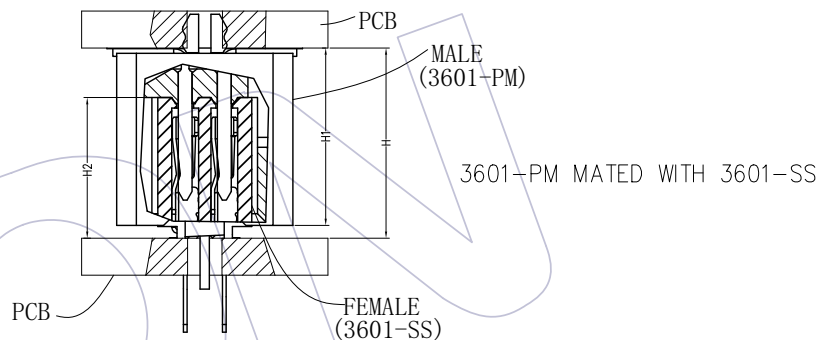
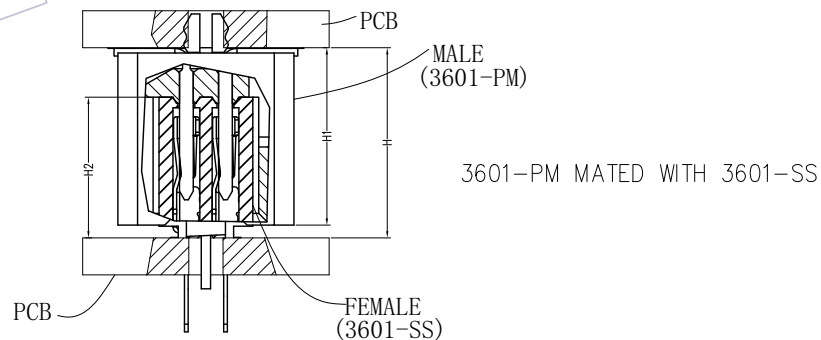


TABLE 8:

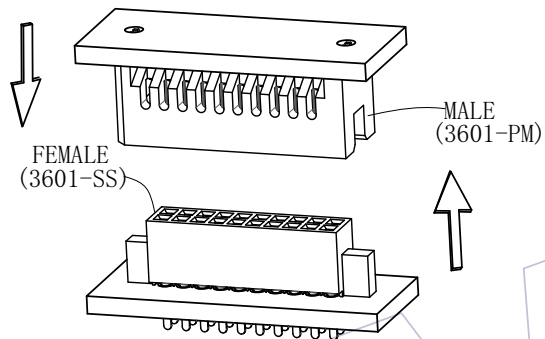
| 3601-PM<br>LEAD STYLE | -02 | ASS'Y HIGH(H)      |            | MALE       | FEMALE     | WIPE           |                |
|-----------------------|-----|--------------------|------------|------------|------------|----------------|----------------|
|                       |     | 3601-SM LEAD STYLE |            | H1         | H2         | FULLY<br>MATED | MIN<br>@ H MAX |
|                       |     | -02                |            |            |            |                |                |
|                       |     | FULLY MATED        | MAX        |            |            |                |                |
|                       |     | 6.30[.248]         | 6.76[.266] | 5.74[.226] | 4.83[.190] | 0.84[.033]     | 0.38[.015]     |



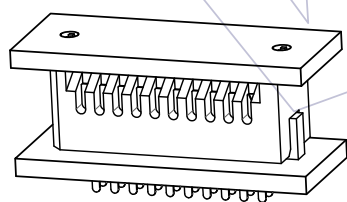
| REV | DATE       | MODIFICATION DESCRIPTION                  | CHANGE      | OPERATION |       | DRAW<br>YE XIAOBING | DATE<br>2021/07/22 | SCALE<br>UNIT | FIT<br>mm<br>inch | PART NO.<br>3601-PXXX-EX1MXXX1 | TITLE:<br>1.27mm BTB Male Header<br>W=5.72, -SN STYLE, SMT | WCON                  |  |
|-----|------------|---|-------------|-----------|-------|---------------------|--------------------|---------------|-------------------|--------------------------------|--|-----------------------|--|
|     |            |   |             | x.x       | ±0.40 |                     |                    |               |                   |                                |  | Http: www.wcon.com    |  |
| A1  | 2021/07/22 | ADD THE PIN NUMBLE DESCRIPTION IN TABLE 3 | YE XIAOBING | x.xx      | ±0.25 | CHECK               | DATE               | SIZE          | A4                | Customer NO.                   | WCON-Dongguan  | WCON-Kunshan          |  |
| AO  | 2020/12/05 | NEW                                       | Orwell      | x.xxx     | ±0.15 | APPROVE             | DATE               | SHEET         | 6/7               |                                | Tel: +86 769 85358920                                      | Tel: +86 512 57468408 |  |
|     |            |   |             | Angle     | ± 3'  |                     |                    | PROJ.         | ⌀                 | Fax: +86 769 85358915          | Fax: +86 512 57468468                                      |                       |  |
|     |            |   |             | DIM       | TOL   |                     |                    |               |                   | E-mail: sales@wcon.com         | E-mail: salesks@wcon.com                                   |                       |  |

3601-PM MATED WITH 3601-SS

MATING DIRECTION



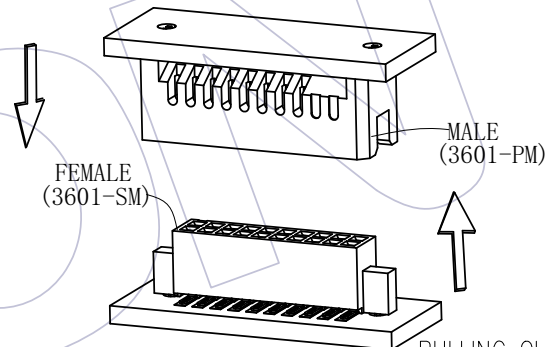
PULLING OUT DIRECTION



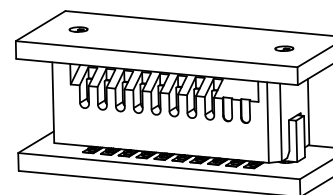
ASSEMBLY COMPLETION STATUS

3601-PM MATED WITH 3601-SM


MATING DIRECTION



PULLING OUT DIRECTION



ASSEMBLY COMPLETION STATUS

|     |            |   |             |              |             |            |       |            |  |   |
|-----|------------|---|-------------|--------------|-------------|------------|-------|------------|--|---|
|     |            |   |             | OPERATION    | DRAW        | DATE       | SCALE | FIT        | PART NO.   | <br><a href="http://www.wcon.com">Http: www.wcon.com</a> |
|     |            |   |             | X.X          | YE XIAOBING | 2021/07/22 | UNIT  | mm<br>inch | 3601-PXXX-EX1MXXX1                               |   |
| A1  | 2021/07/22 | ADD THE PIN NUMBLE DESCRIPTION IN TABLE 3 | YE XIAOBING | X.XX         | CHECK       | DATE       | SIZE  | A4         | TITLE:   | WCON-Dongguan<br>Tel: +86 769 85358920<br>Fax: +86 769 85358915<br>E-mail: sales@wcon.com   |
| AO  | 2020/12/05 | NEW                                       | Orwell      | X.XXX        | APPROVE     | DATE       | SHEET | 7/7        | 1.27mm BTB Male Header<br>W=5.72, -SN STYLE, SMT |   |
| REV | DATE       | MODIFICATION DESCRIPTION                  | CHANGE      | Angle<br>DIM | ± 3'<br>TOL |            | PROJ. | ⌀          | Customer NO.                                     |   |