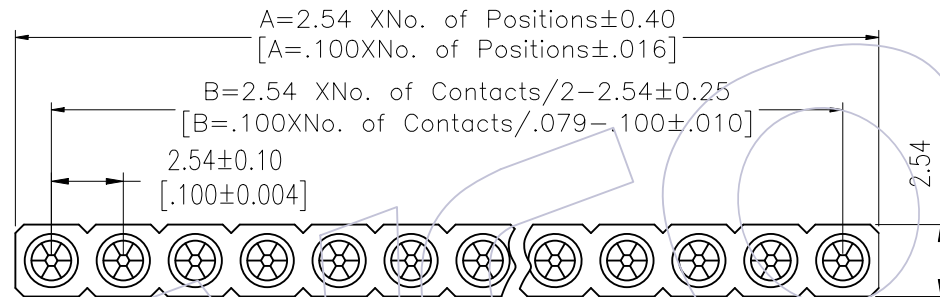
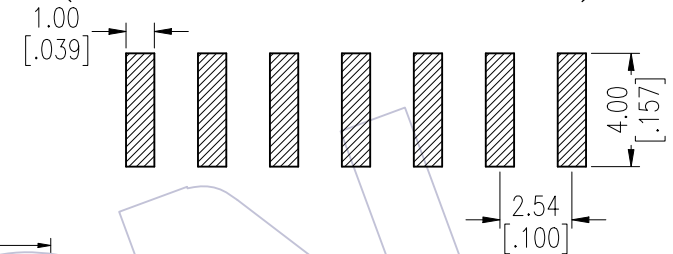


HSF

TECHNICAL SPECS:

Current Rating: 3.0AMP
 Contact Resistance: 10mΩ Max
 Dielectric Strength: Min 1000V_{RMS}
 Mechanical Life: Min 500 cycles
 Mating Pin: Ø0.70 to Ø0.90mm or 0.635SQ
 Forces: (polished steel gauge Ø0.76mm)
 -Insertion: 1.2N typ. -Withdrawal: 0.6N typ.
 Operation Temperature: -40°C to +105°C
 Sleeve: Brass CuZn36Pb3(C36000)
 Contact Clip(6 finger): BeCu(C17200)
 Insulator Material: PPS+30%G.F(UL94V-0)

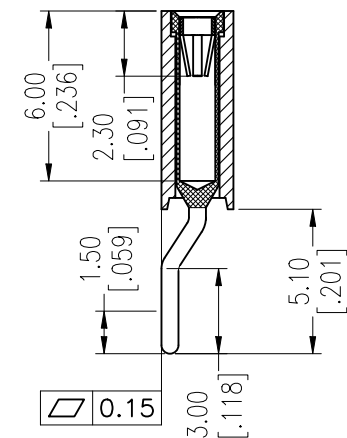
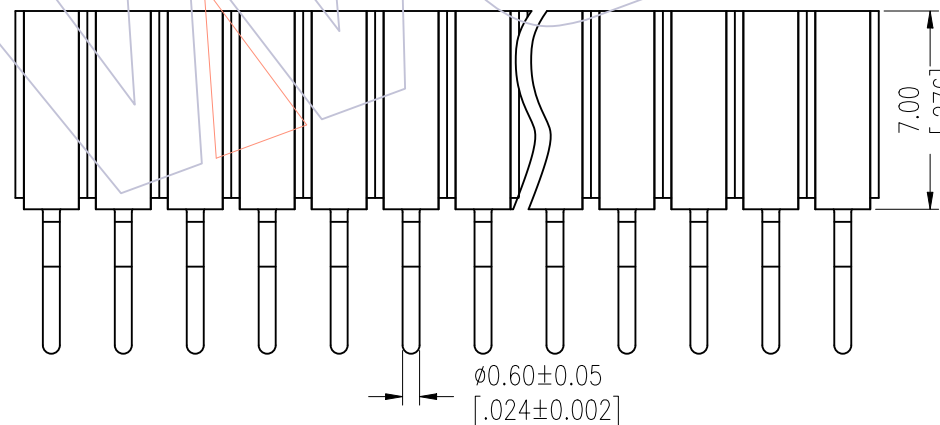
Recommended P.C.B Layout(Top Side)
 (PCB BOARD TOLERANCE ±0.05)



Ordering Information

3521-701 XX Z XX 124 X 1

No. of Pin 2-40PIN	Contact Plating S0=Gold Flash/Tin S3=10u"Gold/Tin S4=15u"Gold/Tin S5=30u"Gold/Tin SN=Tin	Packing A=Tray T=Tube
-----------------------	---	-----------------------------



Item	Pitch	Mating
Standard	2.54	3511
Alternate		

OPERATION	DRAW	DATE	SCALE	FIT	PART NO.
x.x ±0.40	Dwg	2018/03/07	UNIT	mm	3521-701XXZXX124X1
x.xx ±0.25	CHECK	DATE	SIZE	A4	TITLE: 2.54mm MACHINED FEMALE HEADER SINGLE ROW SMT H=7.00 L=12.4
x.xxx ±0.15	APPROVE	DATE	SHEET	1/1	Customer NO.
Angle ± 3'	DIM	TOL	PROJ.	⌀	

WCON

Http: www.wcon.com

WCON-Dongguan	WCON-Kunshan
Tel: +86 769 85358920	Tel: +86 512 57468408
Fax: +86 769 85358915	Fax: +86 512 57468468
E-mail: sales@wcon.com	E-mail: salesks@wcon.com

REV	DATE	MODIFICATION DESCRIPTION	CHANGE
A0	2018/03/07	NEW	