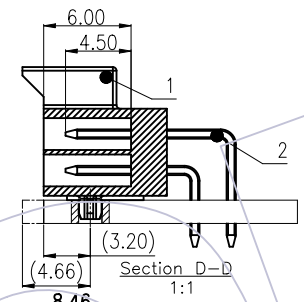
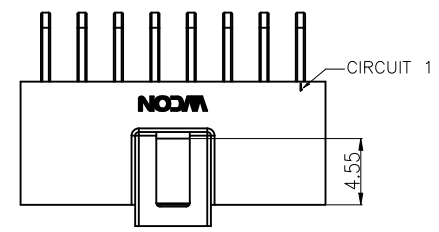
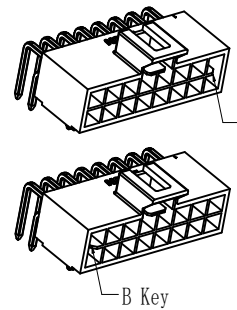


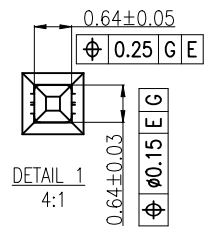
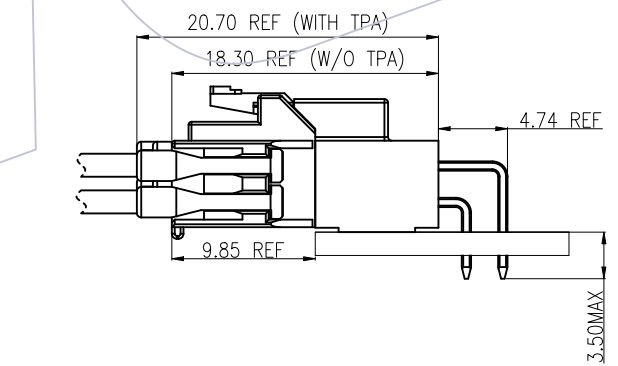
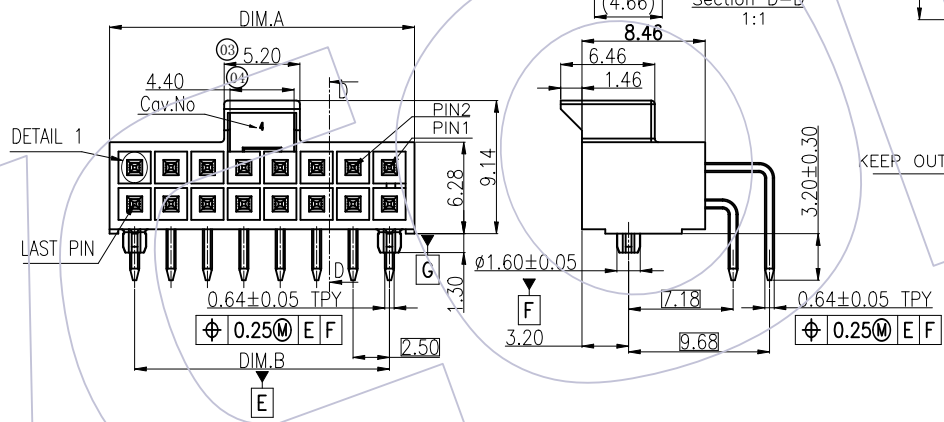
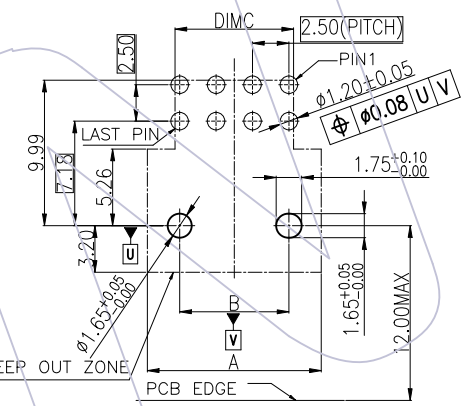
HSF

PRELIMINARY

- NOTES:
1. Rated Current: See Table 1;
 2. Voltage Rating: 250V ;
 3. Contact Resistance: Initial: 10mΩ Max.
Final: 20mΩ Max;
 4. Withstand Voltage: 1500V AC;
 5. Insulation Resistance: 1000MΩ Min;
 6. Operation Temperature: -40°C to +125°C;
 7. Contact Material: copper alloy;
 8. Contact Plating:
Under Plating Nickel 50u" ; Solder Area: Bright Tin 60u" Min;
Contact Area: Au Or Sn
 9. Insulator Body Material: LCP, G.F, UL94V-0 ;
 10. Recommended process:
Wave Solder, Peak temperature: 260±5°C, 5S.



RECOMMENDED PCB LAYOUT (CONNECTOR SIDE VIEW)
TOLERANCE ±0.05
THICKNESS: 1.60 TO 2.400 MM



Ordering Information

WF 2508-2 WR H XX XX X X 1

Dual Rows
90° Dip
High Temperature Plastic
NO. Of Pins Per Row
02 ~ 8 Pin

Package A=Tray
Housing Color
T=Natural
B=Black
Contact Plating
S1=3u" Gold/Tin
S4=15u" Gold/Tin
S5=30u" Gold/Tin
BLank=Bright Tin

2	Short Terminal	Brass	Whole Pin
1	Body	LCP	1
NO.	Part Name	Material	Q'TY

REV	DATE	MODIFICATION DESCRIPTION	CHANGE	OPERATION	DRAW	DATE	SCALE	Fit	PART NO.
01	2022/06/06	NEW	Dean.Lin	X.	±0.60	2022/06/06	UNIT	mm [inch]	WF2508-2WRHXXXXX1
				X.X	±0.40	DATE	SIZE	A4	TITLE:
				X.XX	±0.25	DATE	SHEET	1/2	2.5*2.5mm Wafer Dual Rows, 90°DIP
				Angle	± 3°	DATE	PROJ.	Customer NO.	
				DIM	TOL				

WCON

Http: www.wcon.com

WCON-Dongguan
Tel: +86 769 85358920
Fax: +86 769 85358915
E-mail: sales@wcon.com

WCON-Kunshan
Tel: +86 512 57468408
Fax: +86 512 57468468
E-mail: salesks@wcon.com

Pin	DIM.		
	DIM.A	DIM.B	DIM.C
04	5.94	2.50	3.14
06	8.44	5.00	5.64
08	10.94	7.50	8.14
10	13.44	10.00	10.64
12	15.94	12.50	13.14
14	18.44	15.00	15.64
16	20.94	17.50	18.14

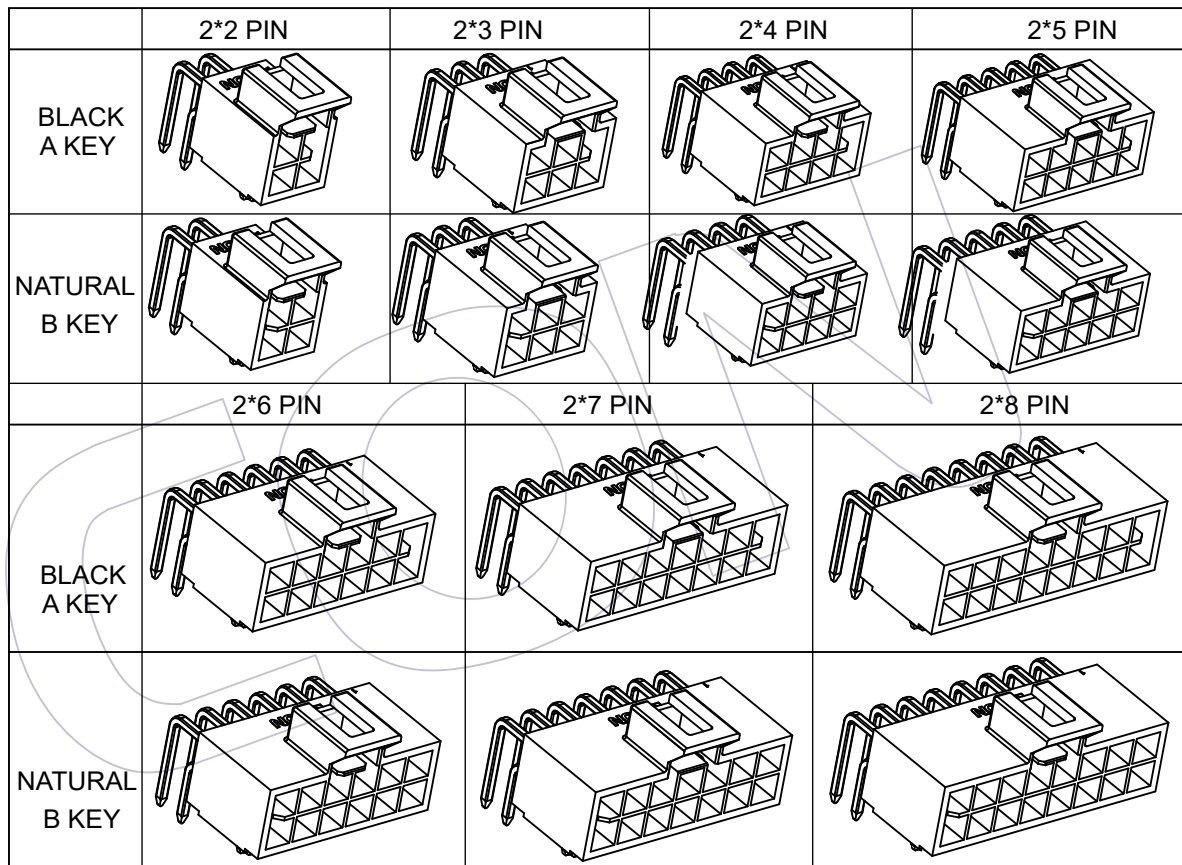


Table1

Connector fully loaded with all circuits powered

PIN Current AWG Rating	Ckt Size(Single row)						
	2*2	2*3	2*4	2*5	2*6	2*7	2*8
20	7.5	7.1	6.8	6.5	6.1	5.8	5.5
22	5.5	5.2	5.0	4.7	4.5	4.2	4.0
24	5.5	5.1	4.8	4.5	4.1	3.8	3.5
26	4.0	3.8	3.6	3.5	3.3	3.1	3.0

3D VIEW

REV	DATE	MODIFICATION DESCRIPTION	CHANGE	OPERATION	DRAW	DATE	SCALE	Fit	PART NO.
01	2022/06/06	NEW	Dean.Lin	x. ±0.60	Dean.Lin	2022/06/06	UNIT	mm [inch]	WF2508-2WRHXXXXX1
				x.X ±0.40	CHECK	DATE	SIZE	A4	TITLE:
				x.XX ±0.25	APPROVE	DATE	SHEET	2/2	2.5*2.5mm Wafer Dual Rows, 90°DIP
				Angle ± 3°			PROJ.	Customer NO.	
				DIM TOL					

WCON

Http: www.wcon.com

WCON-Dongguan Tel: +86 769 85358920 Fax: +86 769 85358915 E-mail: sales@wcon.com

WCON-Kunshan Tel: +86 512 57468408 Fax: +86 512 57468468 E-mail: salesks@wcon.com